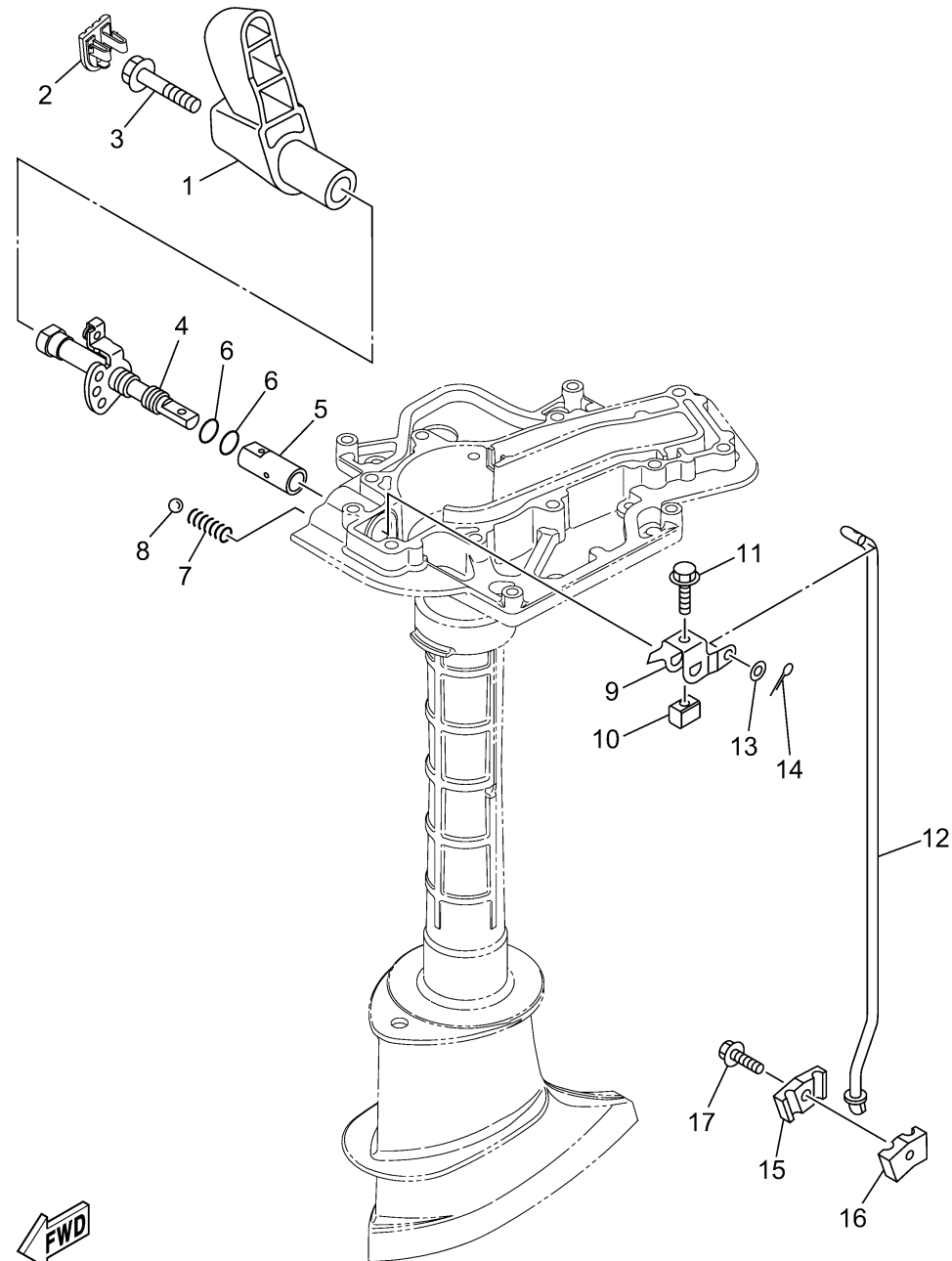


# CONTROL



6EDC010-Z160

Ref No.	Part Number	Description	Qty	Remarks
1	6EE-44111-00-00	HANDLE, GEAR SHIFT	1	
2	6EE-43679-00-00	COVER	1	
3	90105-08046-00	BOLT, FLANGE	1	
4	6EE-44119-00-8D	SHAFT, CHANGE	1	
5	6EE-44122-00-00	BUSHING, SHIFT ROD LEVER	1	
6	93210-09350-00	O-RING	2	
7	90501-12274-00	SPRING, COMPRESSION	1	
8	93505-16024-00	BALL	1	
9	6EE-44121-00-00	LEVER, SHIFT ROD	1	
10	6BX-18175-01-00	SPACER	1	
11	90119-05M04-00	BOLT, WITH WASHER	1	
12	6BX-44143-00-00	ROD, SHIFT 1	1	
13	92990-05600-00	WASHER, PLAIN	1	
14	91490-16010-00	PIN. COTTER	1	
15	6EE-44145-00-00	CONNECTOR, SHIFT ROD 1	1	
16	6EE-44146-00-00	CONNECTOR, SHIFT ROD 2	1	
17	90119-06256-00	BOLT, WITH WASHER	1	