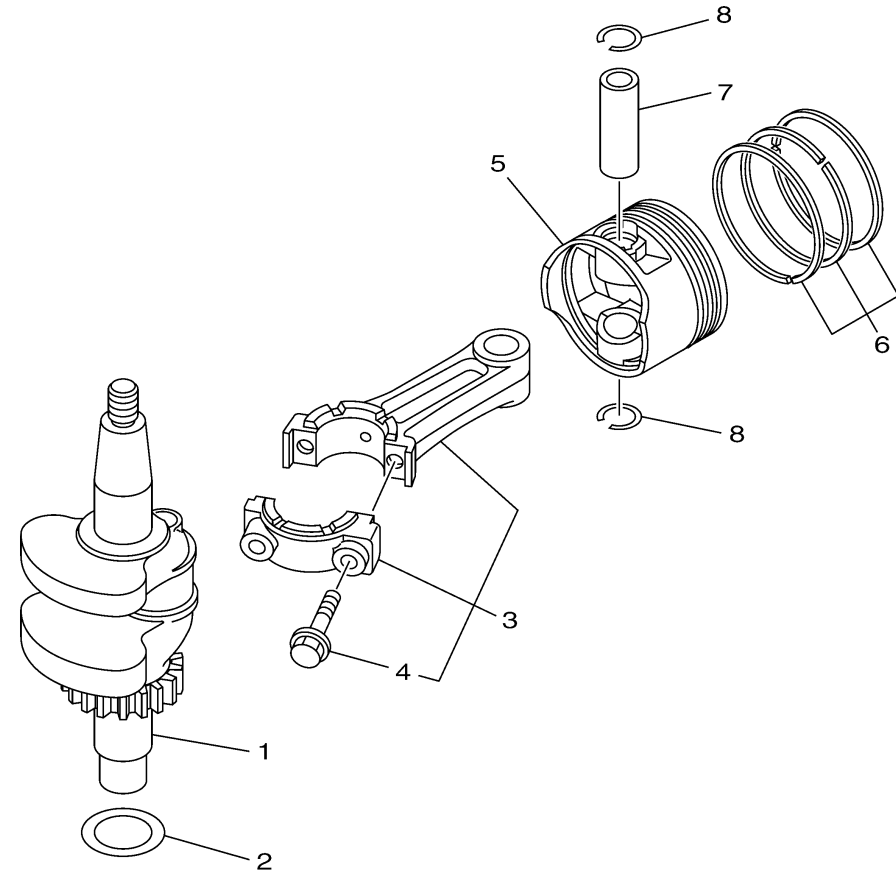


CRANKSHAFT PISTON



Ref No.	Part Number	Description	Qty	Remarks
1	6EE-11410-00-00	CRANKSHAFT	1	
2	90201-266P2-00	WASHER, PLATE	1	
3	6EE-11650-00-00	CONNECTING ROD ASSY	1	
4	6EE-11654-00-00	. .BOLT, CONNECTING ROD	2	
5	6EE-11631-00-96	PISTON (STD)	1	
5	6EE-11635-00-00	PISTON (0.25MM O/S)	1	AP
5	6EE-11636-00-00	PISTON (0.50MM O/S)	1	AP
6	6EE-11603-00-00	PISTON RING SET (STD)	1	
6	6EE-11604-00-00	PISTON RING SET (0.25MM O/S)	1	AP
6	6EE-11605-00-00	PISTON RING SET (0.50MM O/S)	1	AP
7	6EE-11633-00-00	PIN, PISTON	1	
8	93450-16068-00	CIRCLIP	2	



6BV1100-J030