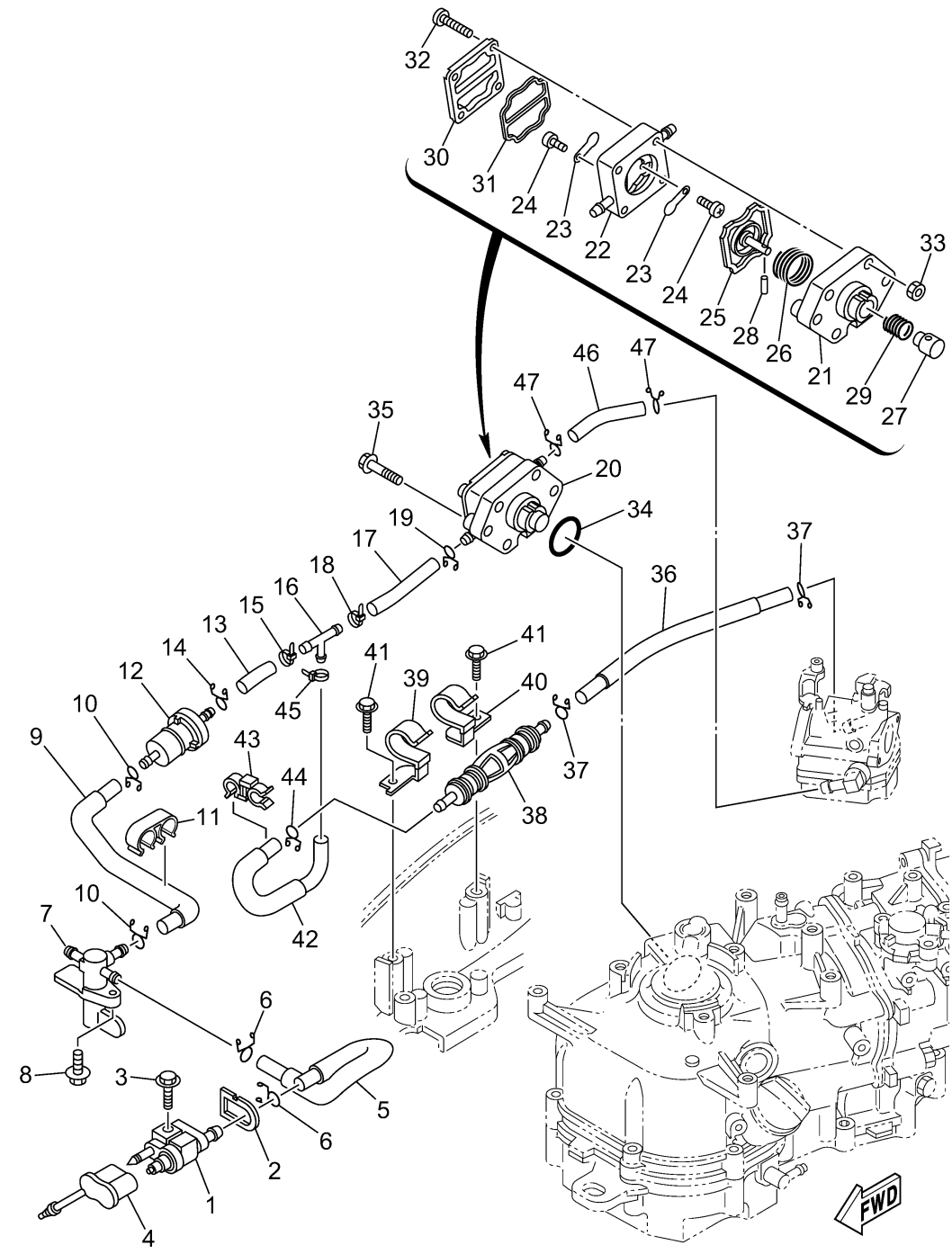


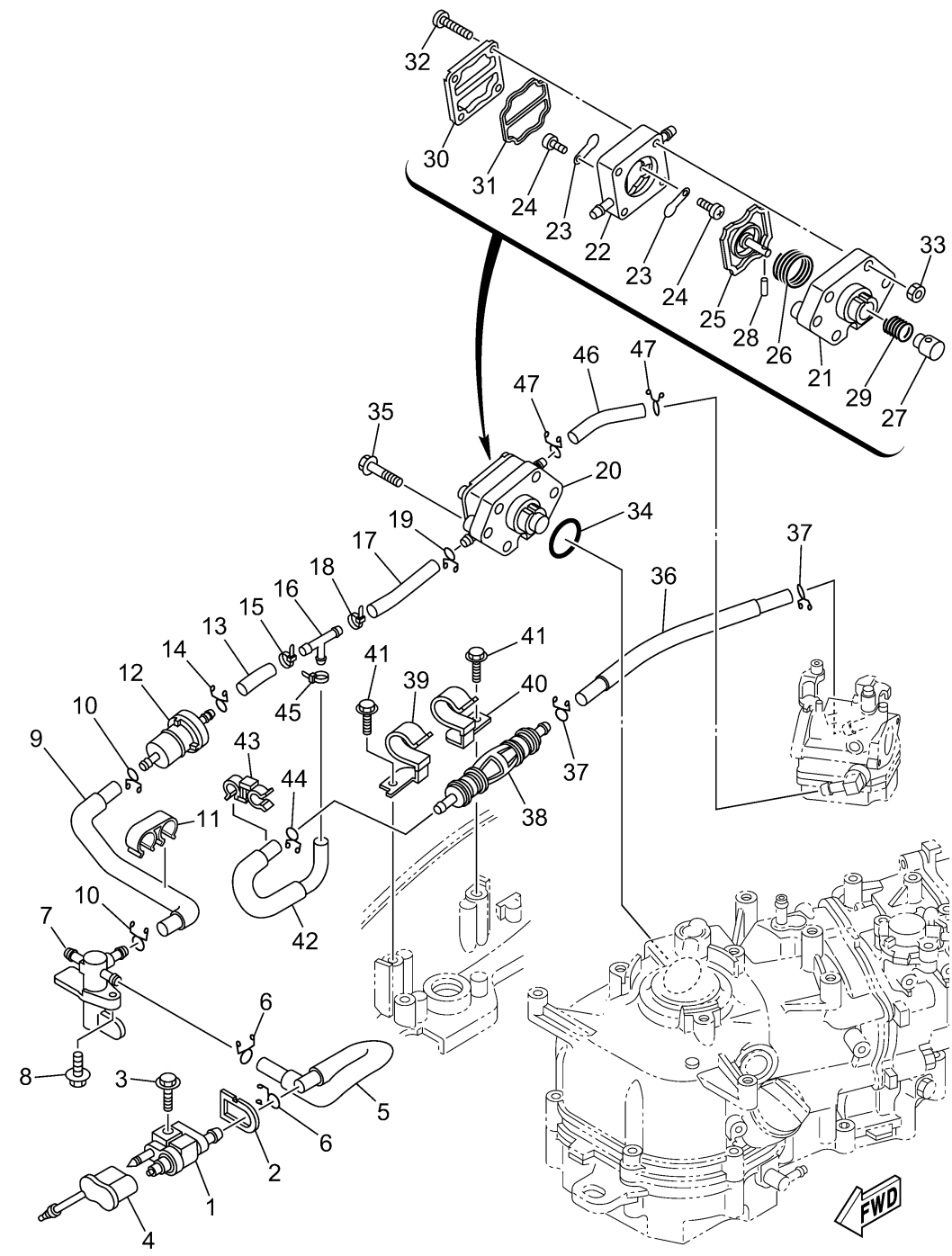
# FUEL 2

Ref No.	Part Number	Description	Qty	Remarks
1	6G1-24304-11-00	FUEL PIPE JOINT COMP. 1	1	
2	61N-24329-01-00	SEAL	1	
3	97E95-06525-00	BOLT, HEXAGON W/W DEEP RECESS	1	
4	6BX-2476U-00-00	PROTECTOR 1	1	
5	6EE-24312-10-00	PIPE 2	1	
6	90467-09M09-00	CLIP	2	
7	6EE-24500-00-00	FUEL COCK ASSY 1	1	
8	97E95-06512-00	BOLT, HEXAGON W/W DEEP RECESS	1	
9	6EE-24313-10-00	PIPE 3	1	
10	90467-09M09-00	CLIP	2	
11	90464-12016-00	CLAMP	1	
12	68T-24251-01-00	STRAINER 1	1	
13	90445-10079-00	HOSE	1	
14	90467-09M09-00	CLIP	1	
15	90465-11M10-00	CLAMP	1	
16	688-24378-00-00	PIPE, JOINT 3	1	
17	90445-10061-00	HOSE (L65)	1	
18	90465-11M10-00	CLAMP	1	
19	90467-09M09-00	CLIP	1	
20	6BX-24410-01-00	FUEL PUMP ASSY	1	

CONTINUED ON NEXT FRAME >



6EDC010-Z100



6EDC010-Z100

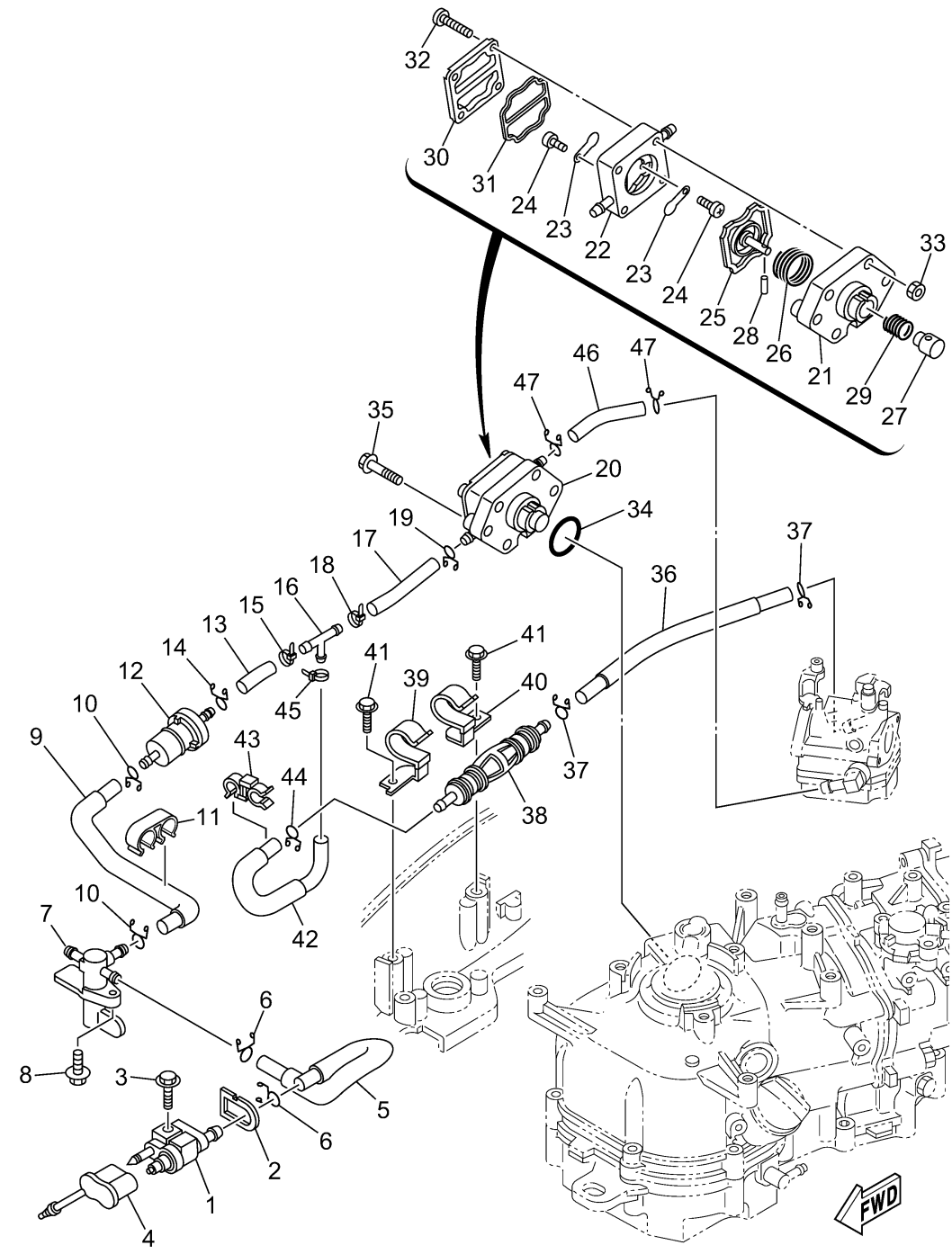
## FUEL 2

Ref No.	Part Number	Description	Qty	Remarks
21	67D-24412-00-00	..BODY 1	1	
22	67D-24413-02-00	..BODY 2	1	
23	6A0-24421-01-00	..VALVE, CHECK	2	
24	6E7-14325-00-00	..SCREW, PAN HEAD	2	
25	6BX-24411-01-00	..DIAPHRAGM	1	
26	67D-24423-00-00	..SPRING, DIAPHRAGM	1	
27	6BX-13131-00-00	..PLUNGER	1	
28	66M-24374-00-00	..PIN	1	
29	6BX-24454-00-00	..SPRING	1	
30	67D-24414-01-00	..BODY 3	1	
31	66M-24471-02-00	..DIAPHRAGM	1	
32	67D-24444-00-00	..SCREW	4	
33	95380-04600-00	..NUT	4	
34	93210-27ME3-00	..O-RING	1	
35	97E95-06630-00	BOLT, HEXAGON W/W DEEP RECESS	2	
36	90445-10077-00	HOSE	1	
37	90467-09M09-00	CLIP	2	
38	6BX-24360-10-00	PRIMER PUMP ASSY	1	
39	6EE-24135-00-00	CLAMP 1	1	
40	6EE-24136-00-00	CLAMP 2	1	

CONTINUED ON NEXT FRAME >

# FUEL 2

Ref No.	Part Number	Description	Qty	Remarks
41	90109-06M80-00	.BOLT	2	
42	6EE-2247A-10-00	HOSE 1	1	
43	90464-09021-00	CLAMP	1	
44	90467-09M09-00	CLIP	1	
45	90465-11M10-00	CLAMP	1	
46	90445-10074-00	HOSE	1	
47	90467-09M09-00	CLIP	2	



6EDC010-Z100