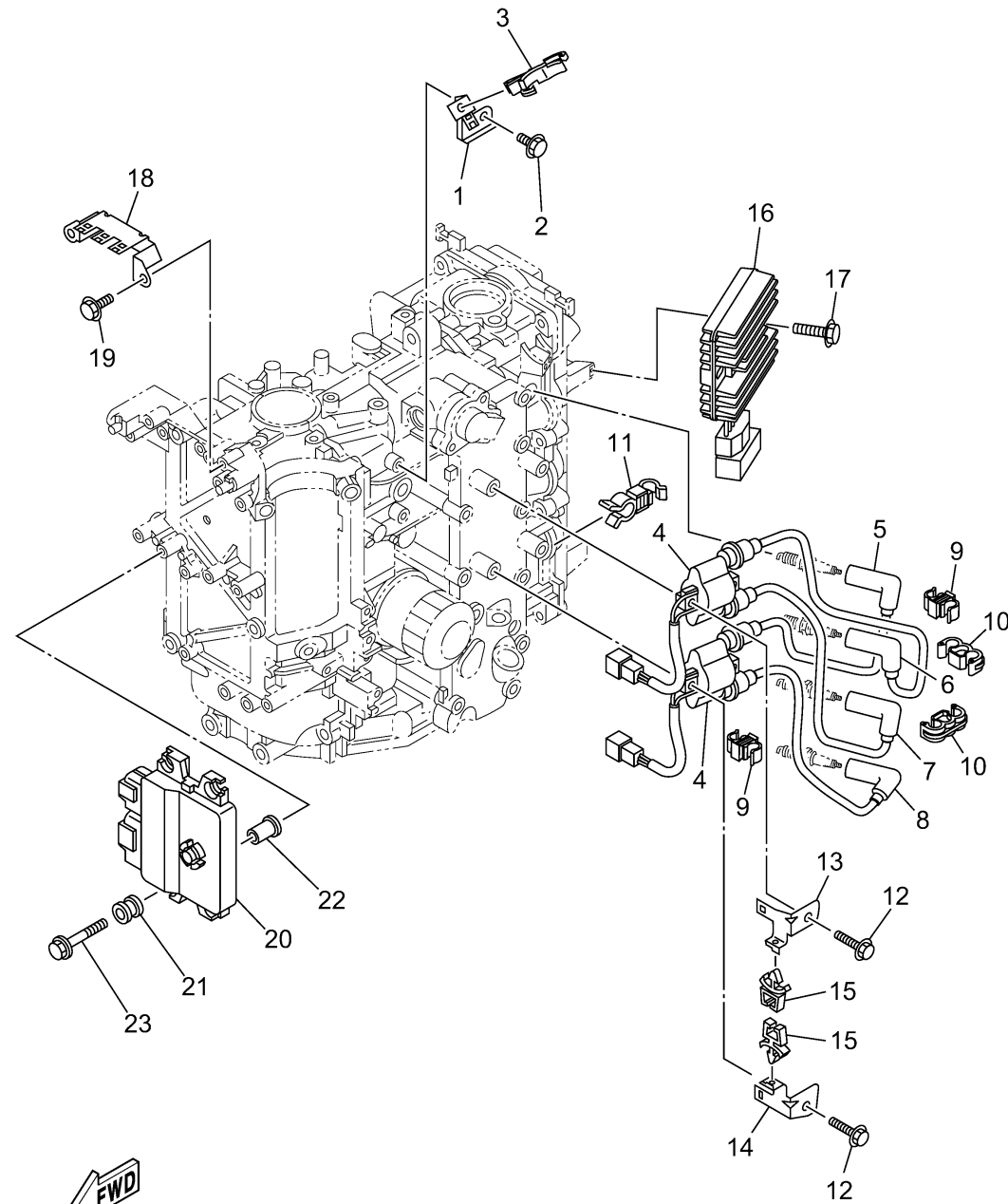


# ELECTRICAL 1



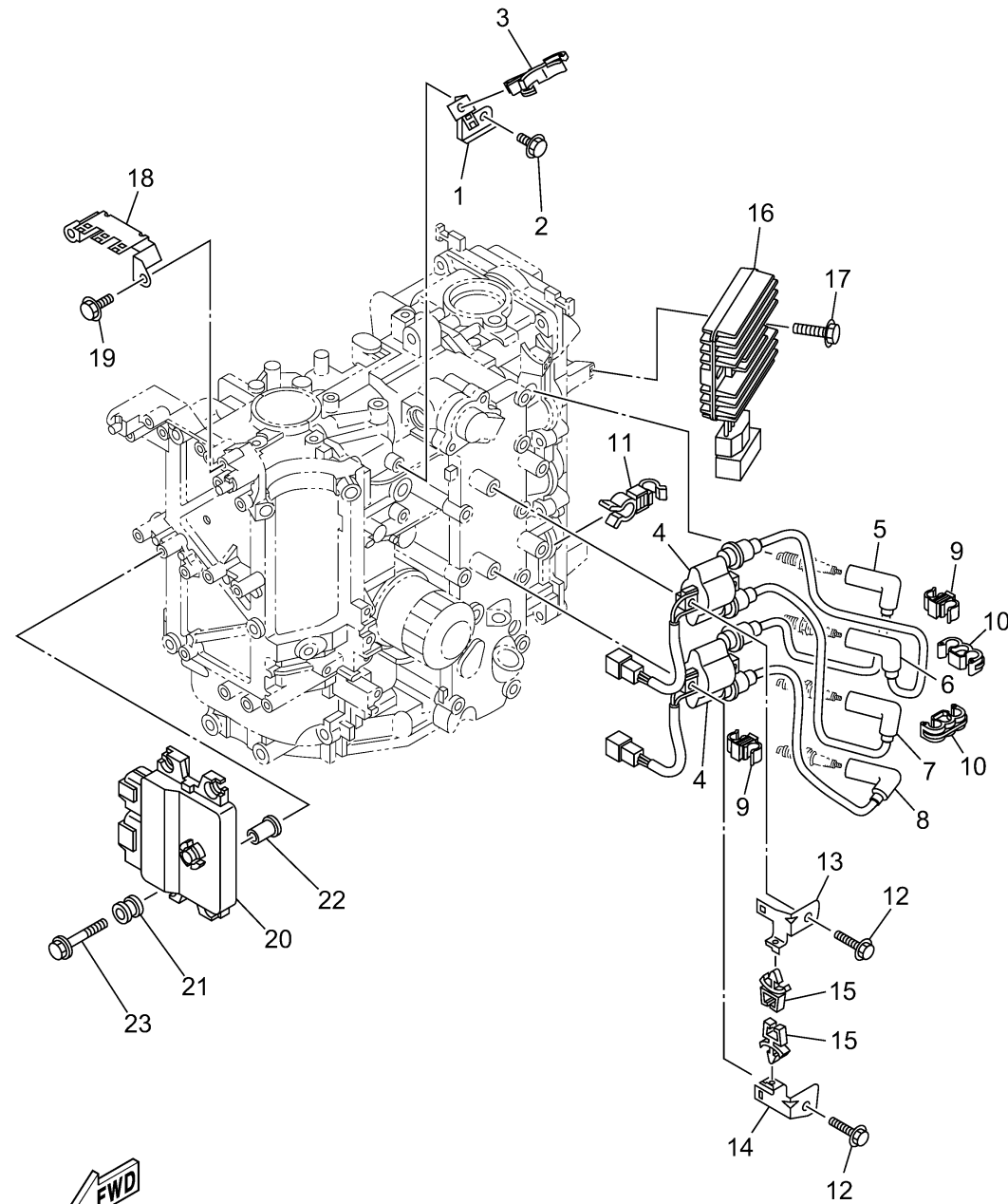
| Ref No. | Part Number     | Description                   | Qty | Remarks |
|---------|-----------------|-------------------------------|-----|---------|
| 1       | 6C5-85525-00-00 | PLATE                         | 1   |         |
| 2       | 97E95-06514-00  | BOLT, HEXAGON W/W DEEP RECESS | 1   |         |
| 3       | 90464-18246-00  | CLAMP                         | 1   |         |
| 4       | 63P-82310-01-00 | IGNITION COIL ASSY            | 2   |         |
| 5       | 6C5-82340-10-00 | HIGH TENSION CORD ASSY 1      | 1   |         |
| 6       | 6C5-82340-20-00 | HIGH TENSION CORD ASSY 2      | 1   |         |
| 7       | 6C5-82340-30-00 | HIGH TENSION CORD ASSY 3      | 1   |         |
| 8       | 6C5-82340-40-00 | HIGH TENSION CORD ASSY 4      | 1   |         |
| 9       | 90464-07019-00  | CLAMP                         | 2   |         |
| 10      | 90464-07020-00  | CLAMP                         | 2   |         |
| 11      | 90464-13013-00  | CLAMP                         | 1   |         |
| 12      | 97E95-06525-00  | BOLT, HEXAGON W/W DEEP RECESS | 4   |         |
| 13      | 6C5-82316-01-00 | BRACKET, IGNITION COIL        | 1   |         |
| 14      | 6C5-82316-11-00 | BRACKET, IGNITION COIL        | 1   |         |
| 15      | 90464-06001-00  | CLAMP                         | 2   |         |
| 16      | 68V-81960-10-00 | RECTIFIER & REGULATOR ASSY    | 1   |         |
| 17      | 97E95-06525-00  | BOLT, HEXAGON W/W DEEP RECESS | 2   |         |
| 18      | 6C5-82171-00-00 | STAY, FUSE BOX                | 1   |         |
| 19      | 97E95-06514-00  | BOLT, HEXAGON W/W DEEP RECESS | 2   |         |
| 20      | 6C1-8591A-60-00 | ENGINE CONTROL UNIT ASSY      | 1   |         |

CONTINUED ON NEXT FRAME >

  
6C1M110-Y140

# ELECTRICAL 1

| Ref No. | Part Number     | Description           | Qty | Remarks |
|---------|-----------------|-----------------------|-----|---------|
| 21      | 6C5-82317-01-00 | DAMPER, IGNITION COIL | 4   |         |
| 22      | 90387-06119-00  | COLLAR                | 4   |         |
| 23      | 90119-06289-00  | BOLT, WITH WASHER     | 4   |         |



**FWD**  
6C1M110-Y140