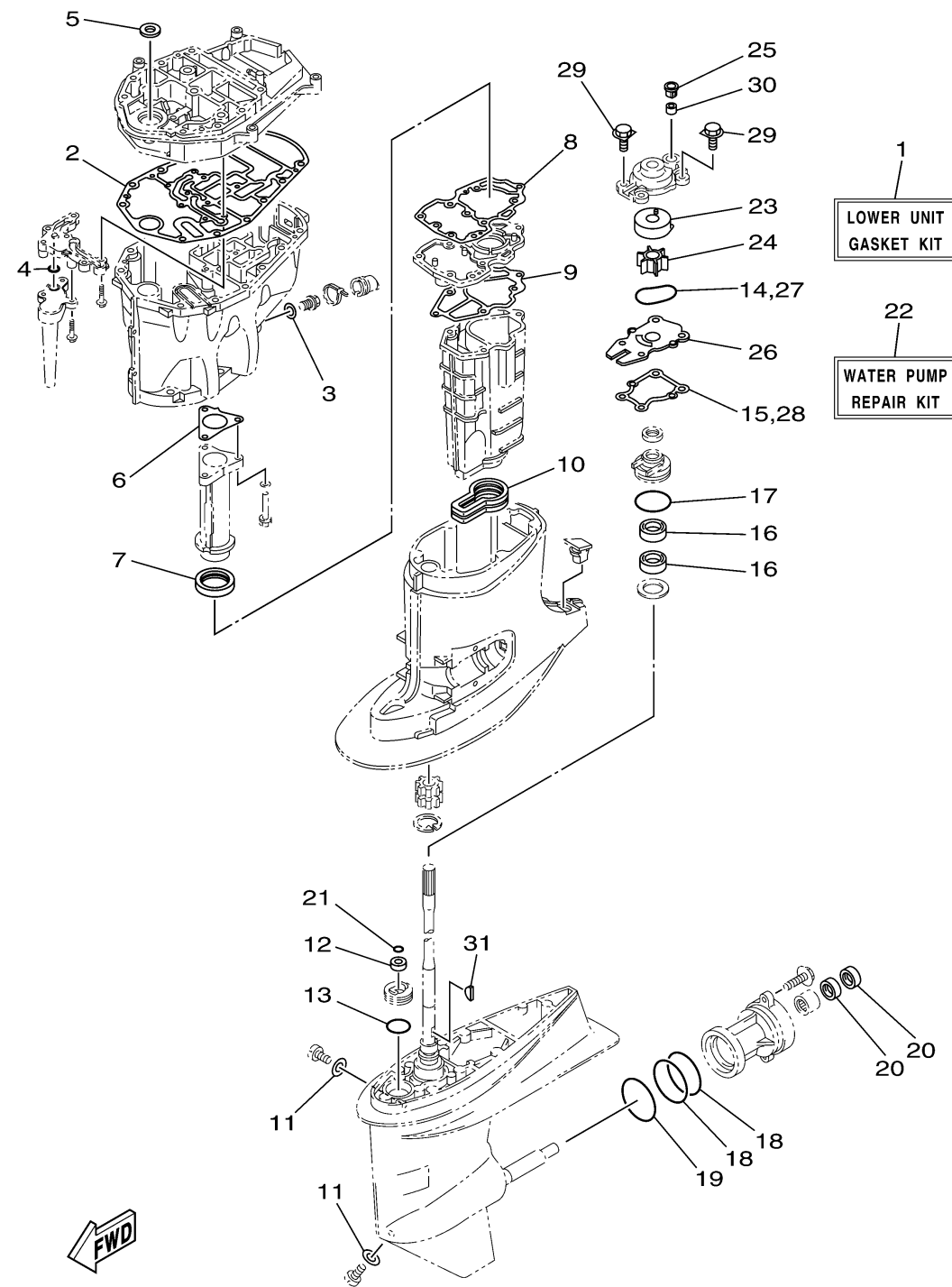


REPAIR KIT 2

Ref No.	Part Number	Description	Qty	Remarks
1	6C5-W0001-22-00	LOWER UNIT GASKET KIT	1	
2	6C5-15312-01-00	..GASKET, OIL PAN	1	
3	90430-14M09-00	..GASKET	1	
4	93210-12790-00	..O-RING	1	
5	93103-18011-00	..OIL SEAL	1	
6	6C5-41133-00-00	..GASKET, EXHAUST MANIFOLD 1	1	
7	6C5-46132-00-00	..GASKET 1	1	
8	6C5-41134-00-00	..GASKET, EXHAUST MANIFOLD 2	1	
9	6C5-41135-00-00	..GASKET, EXHAUST MANIFOLD	1	
10	6C5-45123-00-00	..GASKET, MUFFLER	1	
11	90430-08003-00	..GASKET	2	
12	93106-09014-00	..OIL SEAL	1	
13	93210-33MG4-00	..O-RING	1	
14	93210-59MG7-00	..O-RING	1	
15	63D-44316-00-00	..GASKET, WATER PUMP	1	
16	93101-25M57-00	..OIL SEAL	2	
17	93210-48001-00	..O-RING	1	
18	93210-74MG5-00	..O-RING	2	
19	93210-69MG6-00	..O-RING	1	
20	93101-22M00-00	..OIL SEAL	2	

CONTINUED ON NEXT FRAME >



REPAIR KIT 2

Ref No.	Part Number	Description	Qty	Remarks
21	93210-07003-00	. .O-RING	1	
22	63D-W0078-03-00	WATER PUMP REPAIR KIT	1	
23	63D-44322-00-00	. .INSERT, CARTRIDGE	1	
24	6H3-44352-00-00	. .IMPELLER	1	
25	63D-44312-00-00	. .COVER, WATER PUMP HOUSING	1	
26	63D-44323-00-00	. .OUTER PLATE, CARTRIDGE	1	
27	93210-59MG7-00	. .O-RING	1	
28	63D-44316-00-00	. .GASKET, WATER PUMP	1	
29	90119-08185-00	. .BOLT, WITH WASHER	4	
30	663-44366-01-00	. .DAMPER, WATER SEAL 2	1	
31	90280-03024-00	. .KEY, WOODRUFF	1	