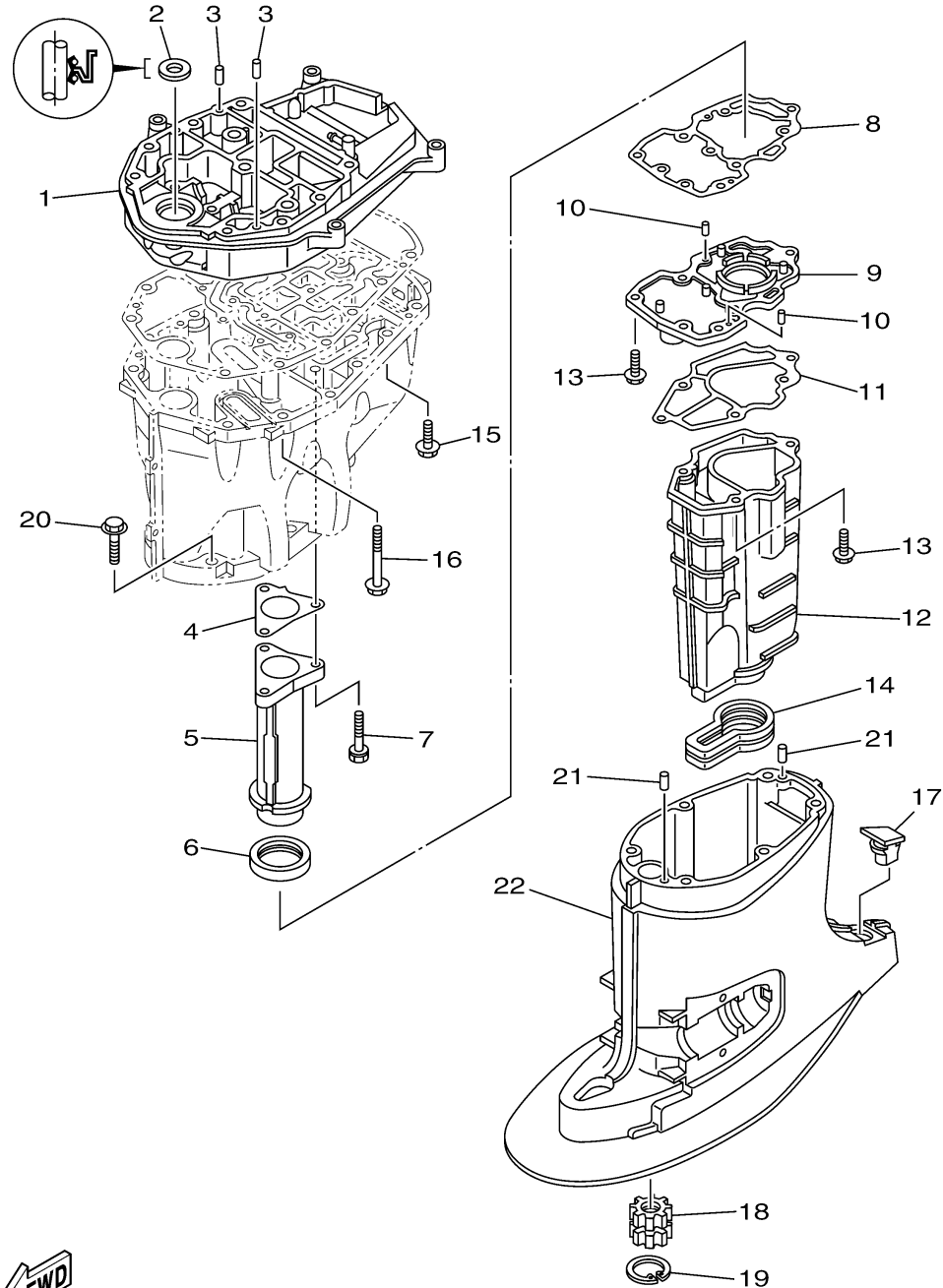


# UPPER CASING

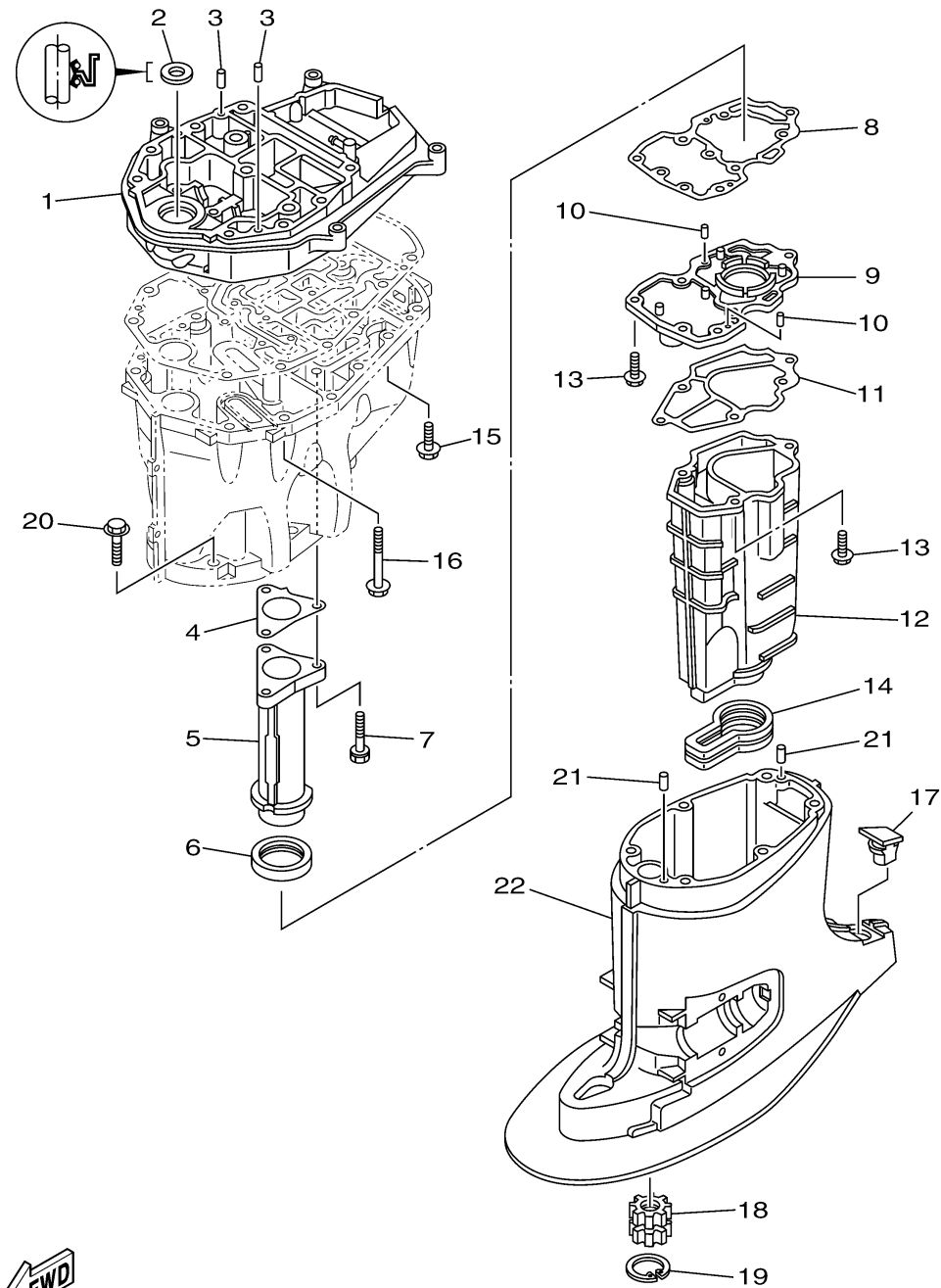


Ref No.	Part Number	Description	Qty	Remarks
1	6C5-41137-03-00	GUIDE, EXHAUST	1	
2	93103-18011-00	.OIL SEAL	1	
3	93608-12M05-00	PIN, DOWEL	2	
4	6C5-41133-00-00	.GASKET, EXHAUST MANIFOLD 1	1	
5	6C5-41131-00-CA	MANIFOLD, EXT. 1	1	
6	6C5-46132-00-00	.GASKET 1	1	
7	90119-06261-00	BOLT, WITH WASHER	3	
8	6C5-41134-00-00	.GASKET, EXHAUST MANIFOLD 2	1	
9	6C5-45181-00-CA	PLATE	1	
10	93604-10M03-00	PIN, DOWEL	2	
11	6C5-41135-00-00	.GASKET, EXHAUST MANIFOLD	1	
12	6C5-14711-00-CA	MUFFLER 1	1	
13	97E75-06525-00	BOLT, HEXAGON W/W DEEP RECESS	6	
14	6C5-45123-00-00	.GASKET, MUFFLER	1	
15	90119-08182-00	BOLT, WITH WASHER	4	
16	90119-08202-00	BOLT, WITH WASHER	8	
17	6C5-45155-02-00	CAP	1	
18	69W-45318-00-00	BUSHING, DRIVE SHAFT	1	
19	93420-36M01-00	CIRCLIP	1	
20	97E75-10545-00	BOLT, HEXAGON W/W DEEP RECESS	6	

CONTINUED ON NEXT FRAME >

  
6C1B100-N290

# UPPER CASING



6C1B100-N290

Ref No.	Part Number	Description	Qty	Remarks
21	93606-12019-00	PIN, DOWEL	2	
22	6C5-45111-00-8D	CASING, UPPER	1	GRAY
22	6C5-45111-00-CE	CASING, UPPER	0	WHITE
22	6C5-45111-00-CH	CASING, UPPER	0	MATTE BROWN