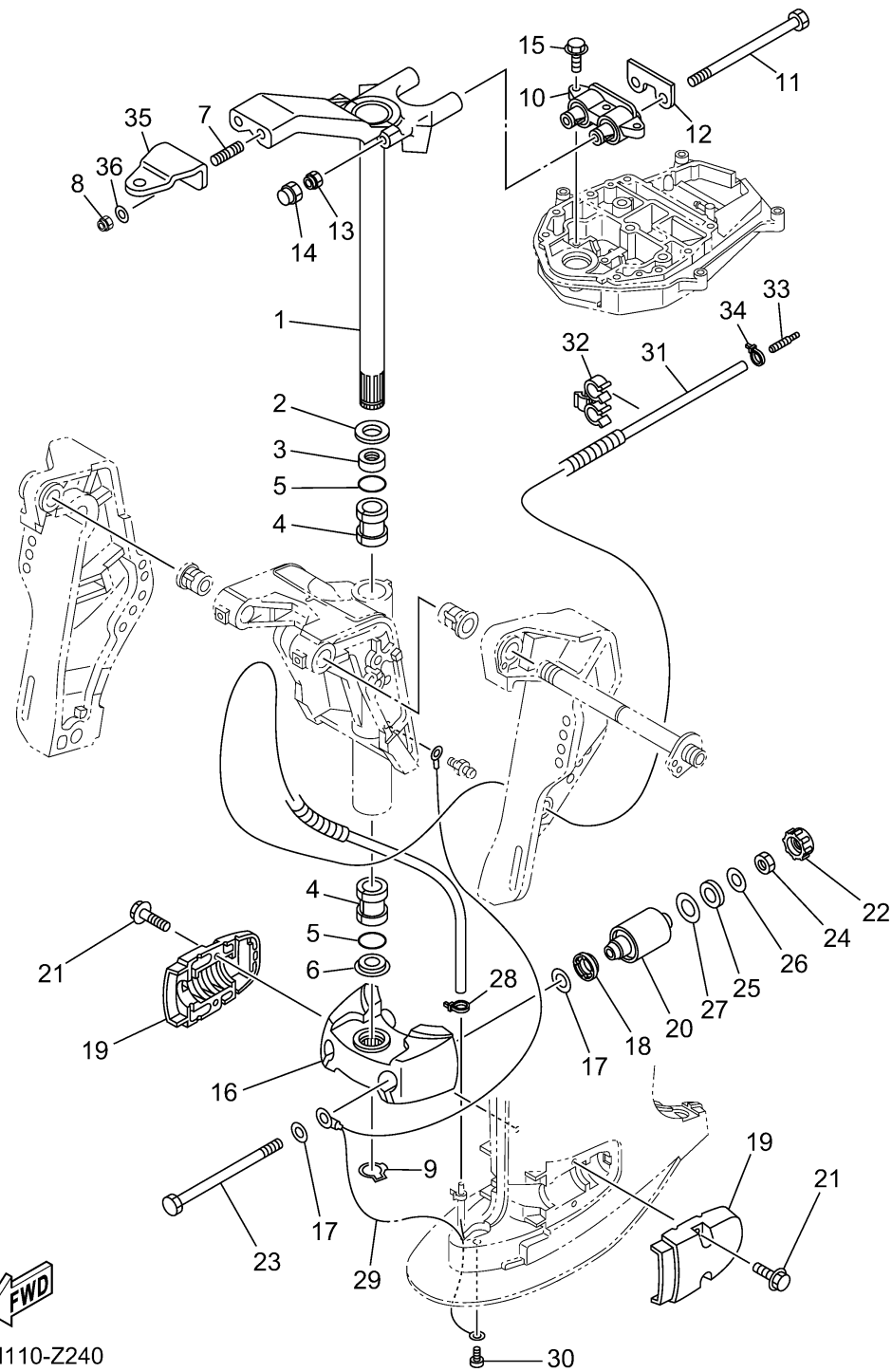


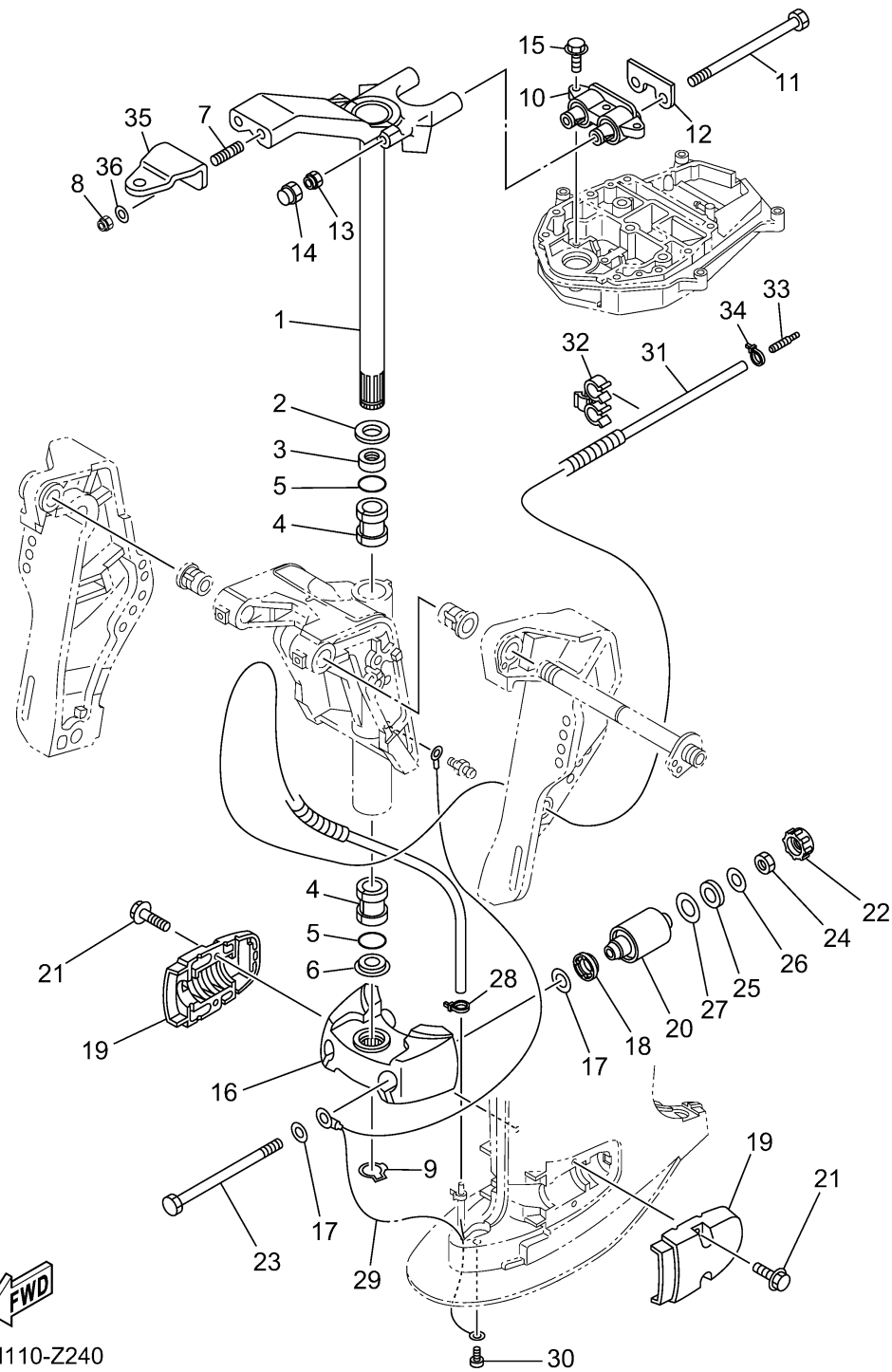
# BRACKET 2



Ref No.	Part Number	Description	Qty	Remarks
1	69W-42510-01-8D	STEERING BRACKET ASSY	1	GRAY
1	69W-42510-01-CH	STEERING BRACKET ASSY	0	MATTE BROWN
2	90201-30M00-00	WASHER, PLATE	1	
3	90386-30M78-00	BUSH	1	
4	90386-30M77-00	BUSH	2	
5	93210-29M94-00	O-RING	2	
6	90386-30M60-00	BUSH	1	
7	90116-10063-00	BOLT, STUD	2	
8	90185-10027-00	NUT, SELF-LOCKING	2	
9	93410-28M06-00	CIRCLIP	1	
10	69W-44514-00-00	MOUNT DAMPER, UPPER SIDE	1	
11	90109-08229-00	BOLT	2	
12	69W-44526-01-00	PLATE	1	
13	90185-08018-00	NUT, SELF-LOCKING	2	
14	6C5-44194-00-00	CAP	2	
15	97E75-08530-00	BOLT, HEXAGON W/W DEEP RECESS	3	
16	6C5-44551-00-CH	HOUSING, LOWER MOUNT RUBBER 1	0	MATTE BROWN
16	6C5-44551-00-8D	HOUSING, LOWER MOUNT RUBBER 1	1	GRAY
17	90201-12M16-00	WASHER, PLATE	4	
18	6C5-43885-01-00	GROMMET	2	

CONTINUED ON NEXT FRAME >

# BRACKET 2



6C1N110-Z240

Ref No.	Part Number	Description	Qty	Remarks
19	6C5-44552-00-CH	HOUSING, LOWER MOUNT RUBBER 2	0	MATTE BROWN
19	6C5-44552-00-8D	HOUSING, LOWER MOUNT RUBBER 2	2	GRAY
20	69W-44555-00-00	MOUNT DAMPER, LOWER SIDE	2	
21	90119-08094-00	BOLT, WITH WASHER	4	
22	6C5-44575-00-00	DAMPER, LOWER MOUNT RUBBER	2	
23	90109-12MA3-00	BOLT	2	
24	95380-12700-00	NUT	2	
25	90202-21100-00	WASHER, PLATE	2	
26	90201-13M19-00	WASHER, PLATE	2	
27	90201-22M05-00	WASHER, PLATE	2	
28	90465-11M10-00	CLAMP	1	EXCEPT JET-DRIVE
29	67C-82127-10-00	WIRE, LEAD 2	1	
30	97885-06008-00	SCREW, PAN HEAD	1	
31	6CJ-44385-00-00	HOSE, WATER 1	1	EXCEPT JET-DRIVE
32	90464-10006-00	CLAMP	1	EXCEPT JET-DRIVE
33	6E5-83558-00-00	END, NIPPLE	1	EXCEPT JET-DRIVE
34	90465-11M10-00	CLAMP	1	EXCEPT JET-DRIVE
35	65W-48511-01-00	HOOK, STEERING	1	
36	90201-10049-00	WASHER, PLATE	2	