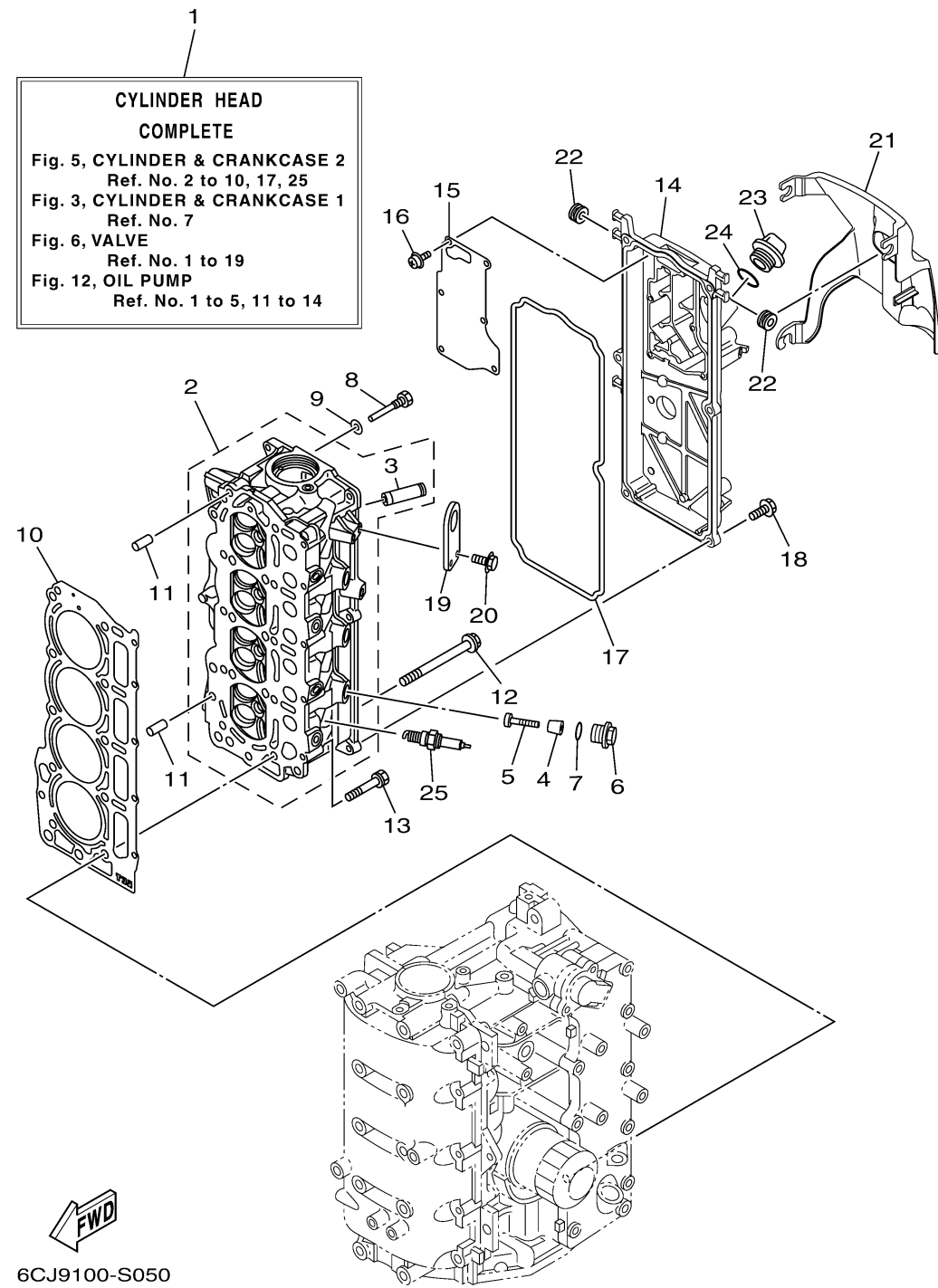


CYLINDER CRANKCASE 2

Ref No.	Part Number	Description	Qty	Remarks
1	6CJ-W009A-03-9S	CYLINDER HEAD COMPLETE	1	
2	6CJ-11111-10-9S	HEAD, CYLINDER 1	1	
3	6AH-11133-10-00	.GUIDE, VALVE 1	16	
4	6G8-11325-00-00	ANODE	3	
5	98980-05025-00	SCREW, BIND	3	
6	6G8-11197-B0-00	PLUG, BLIND	3	
7	93210-13M63-00	.O-RING	3	
8	90109-06M65-00	BOLT	1	
9	90430-06014-00	.GASKET	1	
10	6CJ-11181-00-00	.GASKET, CYLINDER HEAD 1	1	
11	99530-08012-00	.PIN, DOWEL	2	
12	90105-09009-00	BOLT, FLANGE	10	
13	90119-06MA6-00	BOLT, WITH WASHER	5	
14	6CJ-11191-00-9S	COVER, CYLINDER HEAD 1	1	
15	6C5-11168-00-00	COVER, BREATHER	1	
16	97607-04210-00	SCREW, WITH WASHER	6	
17	6CJ-11356-00-00	.SEAL, CYLINDER 2	1	
18	97E95-06520-00	BOLT, HEXAGON W/W DEEP RECESS	6	
19	6CJ-11119-00-00	HANGER, ENGINE	1	
20	97E95-06520-00	BOLT, HEXAGON W/W DEEP RECESS	2	

CONTINUED ON NEXT FRAME >



CYLINDER CRANKCASE 2

Ref No.	Part Number	Description	Qty	Remarks
21	6CJ-11192-00-00	COVER, CYLINDER HEAD 2	1	
22	90480-12314-00	GROMMET	3	
23	6G8-15363-00-00	PLUG, OIL	1	
24	93210-24M79-00	.O-RING	1	
25	LKR-7E000-00-00	PLUG, SPARK (NGK LKR7E)	4	