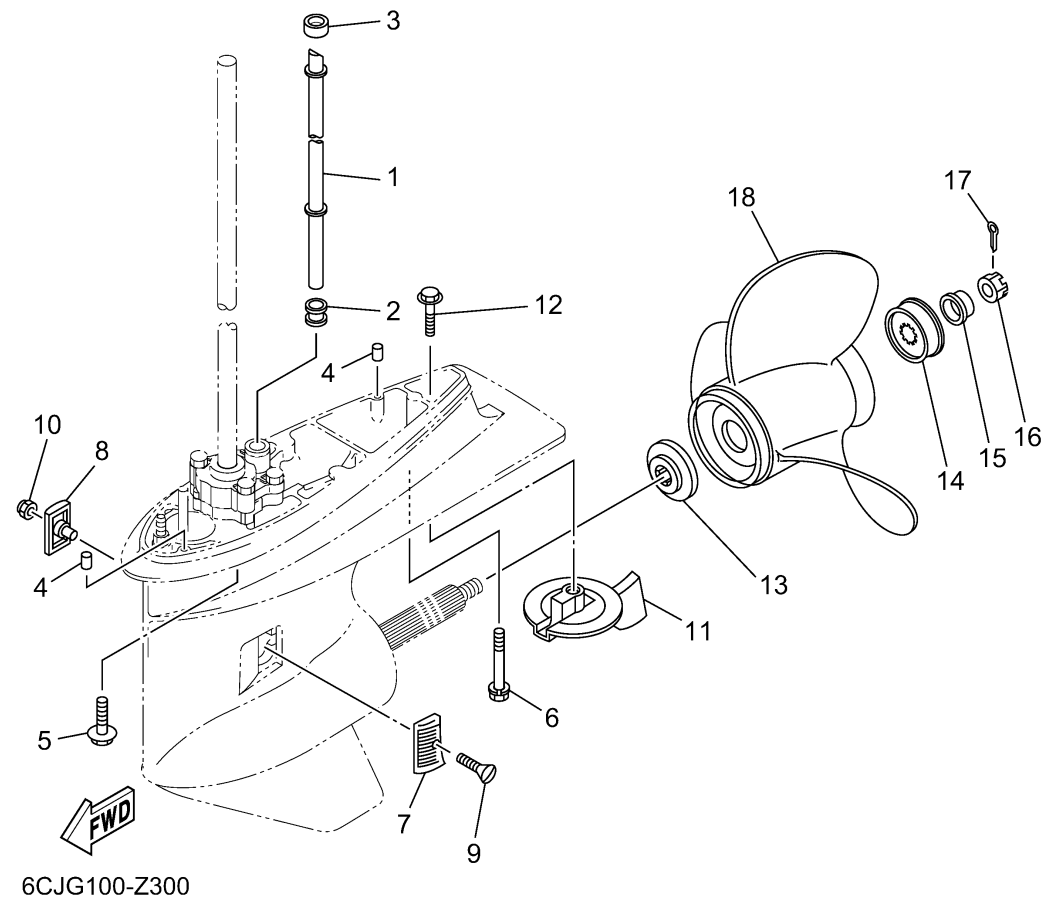
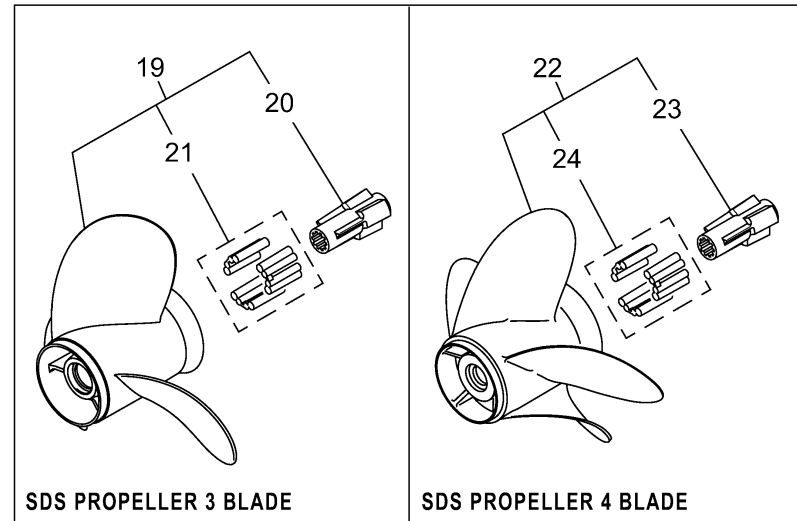


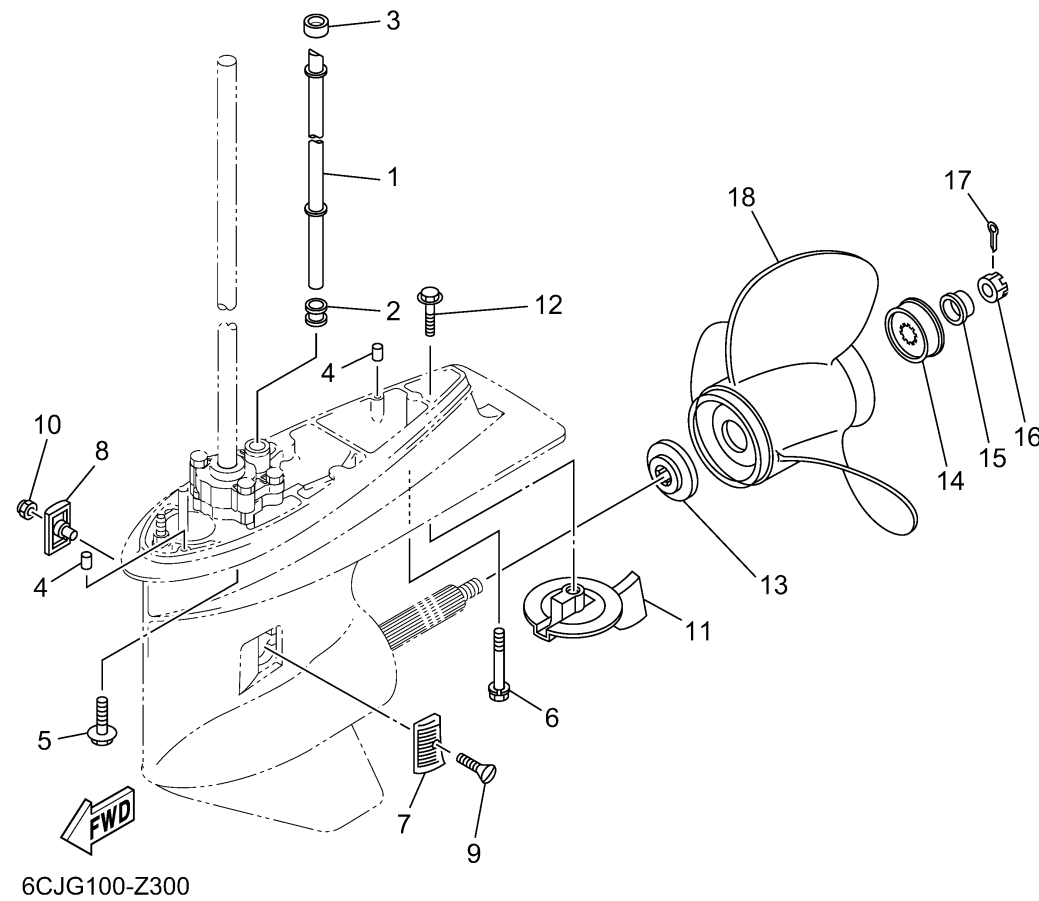
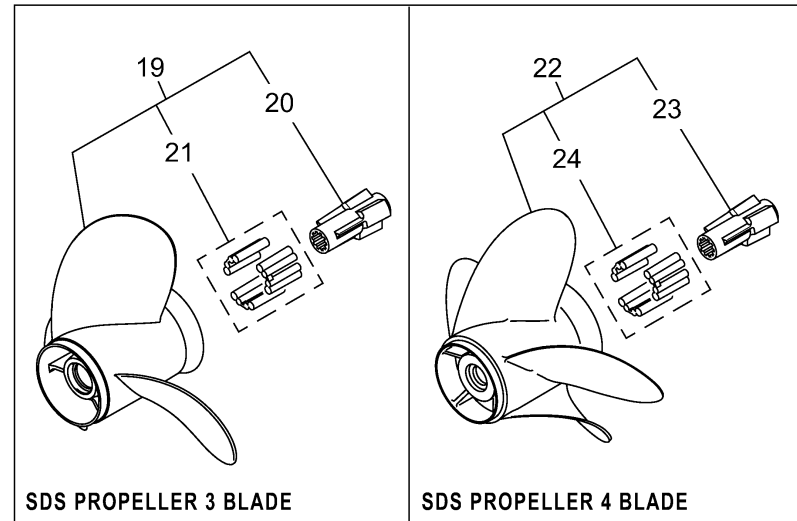
LOWER CASING & DRIVE 2



Ref No.	Part Number	Description	Qty	Remarks
1	6CJ-44361-00-00	TUBE, WATER 1	1	L(21.0")
2	663-44367-01-00	DAMPER, WATER SEAL 3	1	
3	663-44366-01-00	.DAMPER, WATER SEAL 2	1	
4	93606-12019-00	.PIN, DOWEL	2	
5	90119-10068-00	BOLT, WITH WASHER	4	L(21.0")
6	90119-08195-00	BOLT, WITH WASHER	1	L(21.0")
7	6H1-45214-00-00	COVER, WATER INLET 1	1	
8	6H1-45215-00-00	COVER, WATER INLET 2	1	
9	90151-05M00-00	SCREW, COUNTERSUNK	1	
10	90185-05002-00	NUT, NYLON	1	
11	67F-45371-00-00	TAB-TRIM	1	
12	90105-10M67-00	BOLT, FLANGE	1	
13	688-45987-01-00	SPACER 1	1	
14	67F-45997-00-00	SPACER 2	1	
15	90389-25M00-00	BUSH	1	
16	90171-16011-00	NUT, CASTLE	1	
17	91490-30025-00	PIN. COTTER	1	
18	62A-45970-10-00	PROPELLER (3X13-1/2"X21"-K)	1	UR
18	62A-45972-10-00	PROPELLER (3X13-1/2"X23"-K)	1	UR
18	62A-45974-10-00	PROPELLER (3X13-1/2"X19"-K)	1	UR

CONTINUED ON NEXT FRAME >

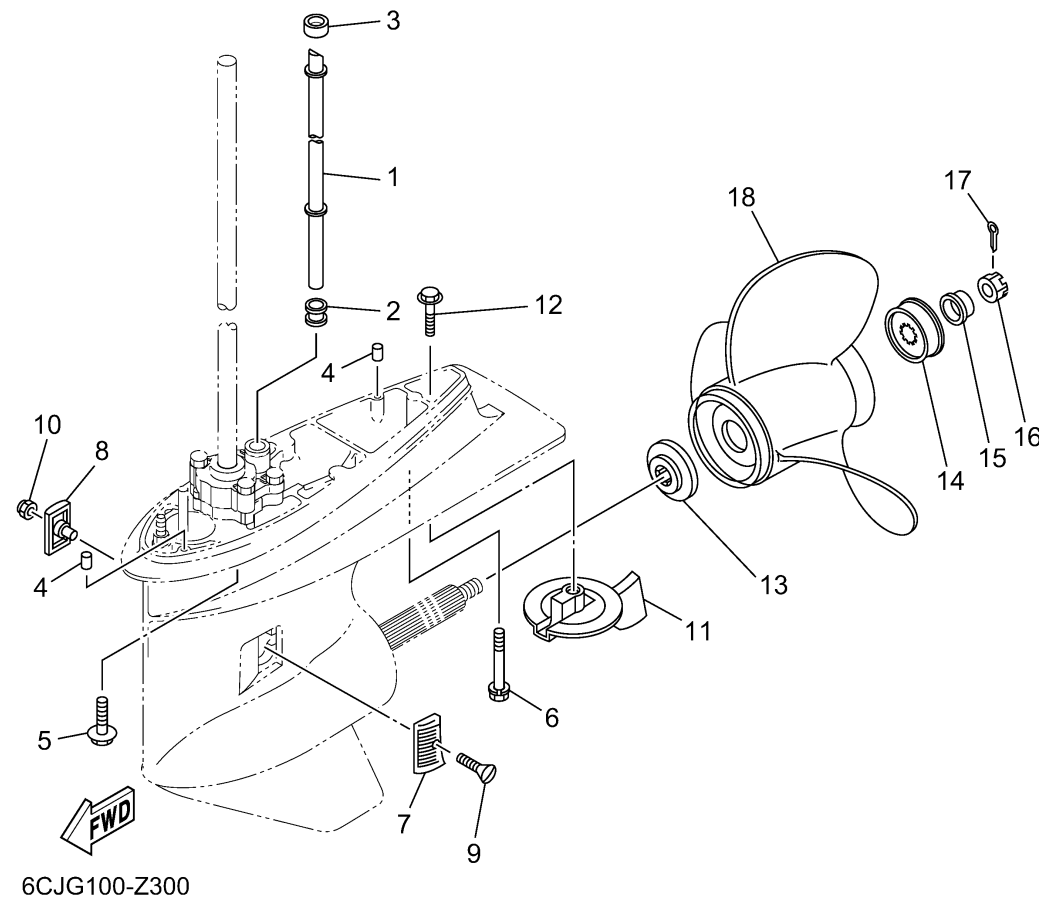
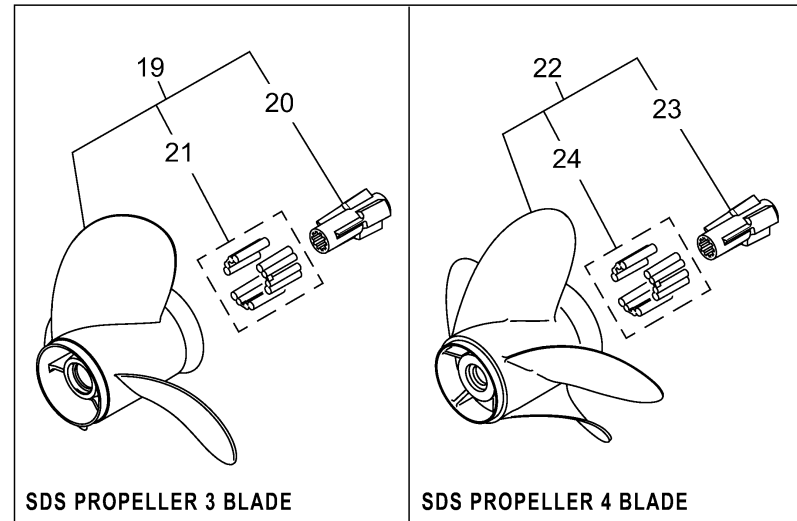
LOWER CASING & DRIVE 2



Ref No.	Part Number	Description	Qty	Remarks
18	62A-45976-00-00	PROPELLER (3X13-1/2"X17"-K)	1	UR
18	68S-45941-00-00	PROPELLER (3X14"X11"-K)	1	UR
18	6E5-45954-00-00	PROPELLER (3X14"X11"-K)	1	UR
18	6E5-45941-00-00	PROPELLER (3X13"X19"-K)	1	UR
18	6E5-45943-00-00	PROPELLER (3X12-5/8"X21"-K)	1	UR
18	6E5-45945-01-00	PROPELLER (3X13-1/4"X17"-K)	1	UR
18	6E5-45947-00-00	PROPELLER (3X13-1/2"X15"-K)	1	UR
18	6E5-45949-00-00	PROPELLER (3X13-5/8"X13"-K)	1	UR
18	6E5-45952-00-00	PROPELLER (3X13"X23"-K)	1	UR
18	6E5-45956-00-00	PROPELLER (3X13"X25"-K)	1	UR
18	6E5-45958-00-00	PROPELLER (3X13-5/8"X14"-K)	1	UR
18	688-45970-03-00	PROPELLER (3X13"X19"-K)	1	UR
18	688-45972-02-00	PROPELLER (3X13"X21"-K)	1	UR
18	688-45974-02-00	PROPELLER (3X13"X23"-K)	1	UR
18	688-45976-01-00	PROPELLER (3X13"X25"-K)	1	UR
18	688-45978-60-00	PROPELLER (3X13-1/2"X16"-K)	1	UR
18	688-45930-02-00	PROPELLER (3X13"X17"-K2)	1	UR
18	688-45932-60-00	PROPELLER (3X13-1/2"X14"-K)	1	UR
18	6L6-45930-01-00	PROPELLER (3X13"X17"-KL)	1	UR
18	6L6-45970-00-00	PROPELLER (3X13"X19"-KL)	1	UR

CONTINUED ON NEXT FRAME >

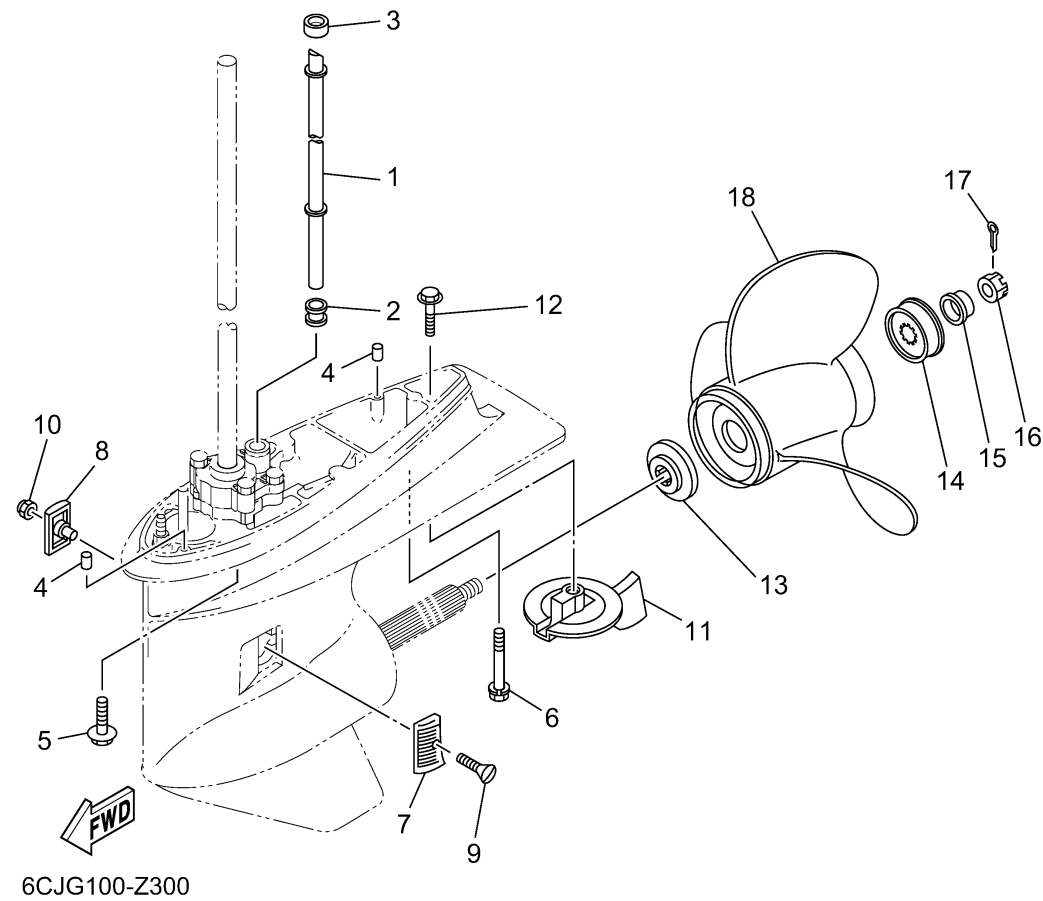
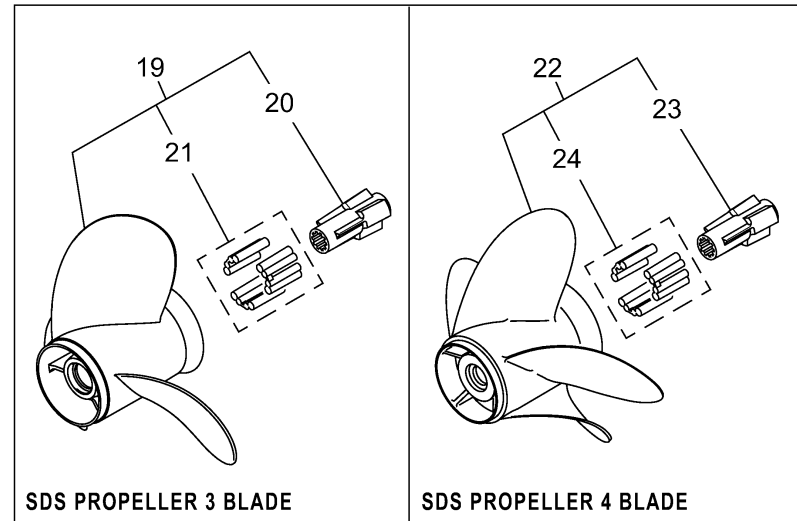
LOWER CASING & DRIVE 2



Ref No.	Part Number	Description	Qty	Remarks
18	6L6-45972-00-00	PROPELLER (3X13"X21"-KL)	1	UR
19	6EK-45941-00-00	PROPELLER (3X13-1/2"X9"-K)	1	UR SDS 3 BLADE
19	6EK-45943-00-00	PROPELLER (3X13-1/2"X10-1/2"-K)	1	UR SDS 3 BLADE
19	6EK-45945-00-00	PROPELLER (3X13-1/2"X12"-K)	1	UR SDS 3 BLADE
19	6EK-45947-00-00	PROPELLER (3X13-1/2"X14"-K)	1	UR SDS 3 BLADE
19	6EK-45949-00-00	PROPELLER (3X13-1/2"X16"-K)	1	UR SDS 3 BLADE
19	6FP-45941-00-00	PROPELLER (AL 3X13-5/8"X14"-K)	1	UR SDS 3 BLADE
19	6FP-45943-00-00	PROPELLER (AL 3X13-1/2"X15"-K)	1	UR SDS 3 BLADE
19	6FP-45945-00-00	PROPELLER (AL 3X13-1/4"X16"-K)	1	UR SDS 3 BLADE
19	6FP-45947-00-00	PROPELLER (AL 3X13-1/8"X17"-K)	1	UR SDS 3 BLADE
19	6FP-45949-00-00	PROPELLER (AL 3X13"X18"-K)	1	UR SDS 3 BLADE
19	6N7-45970-00-00	PROPELLER (3X13-1/8"X14"-K)	1	UR SDS 3 BLADE
19	6N7-45972-00-00	PROPELLER (3X13-1/8"X16"-K)	1	UR SDS 3 BLADE
19	6N7-45974-00-00	PROPELLER (3X13-1/8"X18"-K)	1	UR SDS 3 BLADE
19	6N7-45976-00-00	PROPELLER (3X13-1/8"X19"-K)	1	UR SDS 3 BLADE
19	6N7-45978-00-00	PROPELLER (3X13-1/8"X20"-K)	1	UR SDS 3 BLADE
19	6N7-45930-00-00	PROPELLER (3X13-1/8"X22"-K)	1	UR SDS 3 BLADE
19	6N7-45932-00-00	PROPELLER (3X13-1/8"X24"-K)	1	UR SDS 3 BLADE
19	6H1-45970-00-00	PROPELLER (3X14"X9"-K)	1	UR SDS 3 BLADE
19	6H1-45972-00-00	PROPELLER (3X14"X10"-K)	1	UR SDS 3 BLADE

CONTINUED ON NEXT FRAME >

LOWER CASING & DRIVE 2



Ref No.	Part Number	Description	Qty	Remarks
19	6H1-45974-00-00	PROPELLER (3X14"X11"-K)	1	UR SDS 3 BLADE
19	6H1-45976-00-00	PROPELLER (3X14"X12"-K)	1	UR SDS 3 BLADE
19	6H1-45978-00-00	PROPELLER (3X14"X13"-K)	1	UR SDS 3 BLADE
19	6N4-45970-00-00	PROPELLER (3X13-1/8"X14"-KL)	1	UR SDS 3 BLADE
19	6N4-45972-00-00	PROPELLER (3X13-1/8"X16"-KL)	1	UR SDS 3 BLADE
19	6N4-45974-00-00	PROPELLER (3X13-1/8"X18"-KL)	1	UR SDS 3 BLADE
19	6N4-45978-00-00	PROPELLER (3X13-1/8"X20"-KL)	1	UR SDS 3 BLADE
20	6EK-45982-00-00	..BUSH, PROPELLER	1	
21	6EK-45C82-09-00	..DAMPER RUBBER, PROPELLER 2	1	
22	6N6-45B70-00-00	PROPELLER (4X13-1/4"X14"-X)	1	UR SDS 4 BLADE
22	6N6-45B72-00-00	PROPELLER (4X13-1/4"X16"-X)	1	UR SDS 4 BLADE
22	6N6-45B74-00-00	PROPELLER (4X13-1/4"X18"-X)	1	UR SDS 4 BLADE
23	6EK-45982-00-00	..BUSH, PROPELLER	1	
24	6EK-45C82-09-00	..DAMPER RUBBER, PROPELLER 2	1	