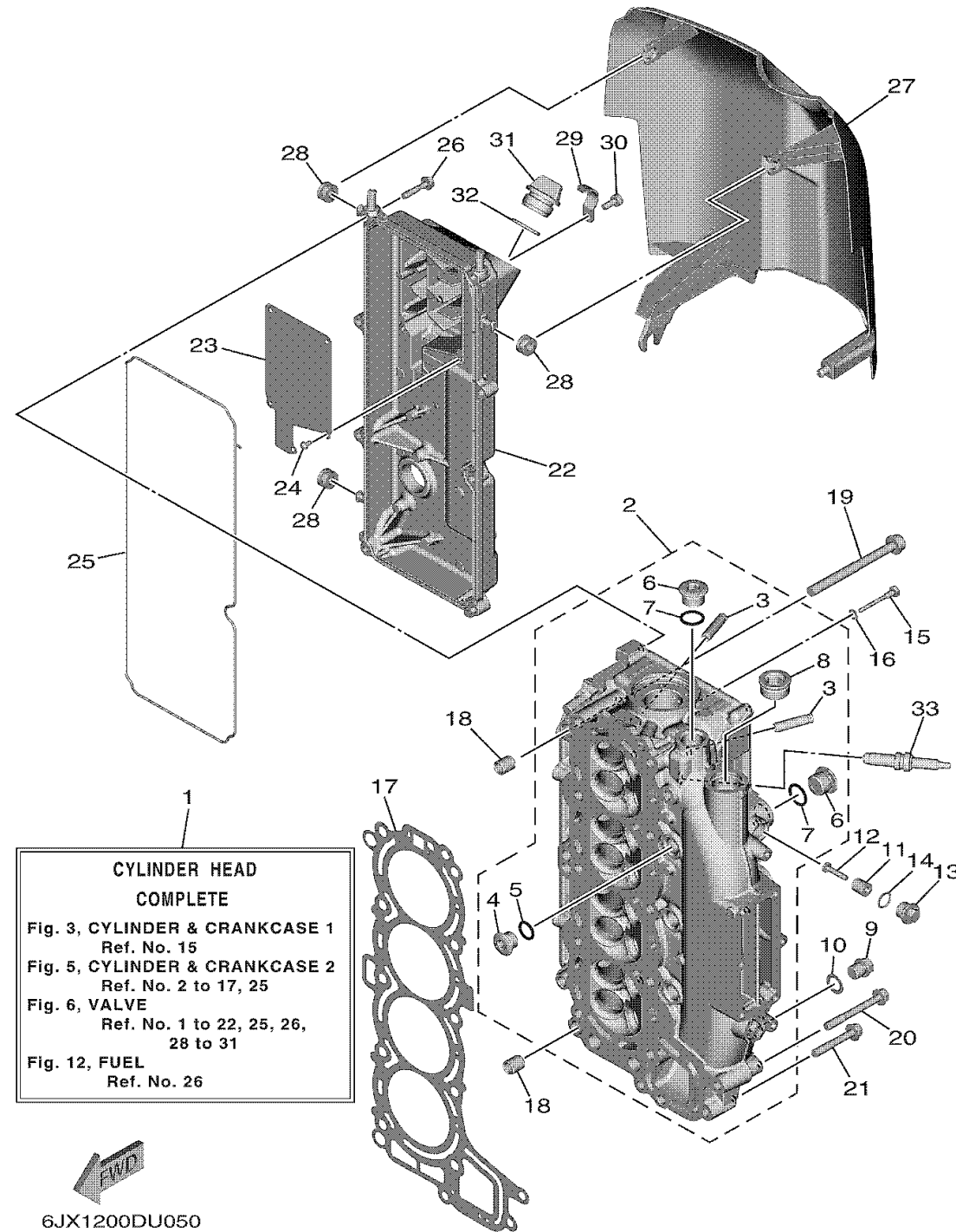


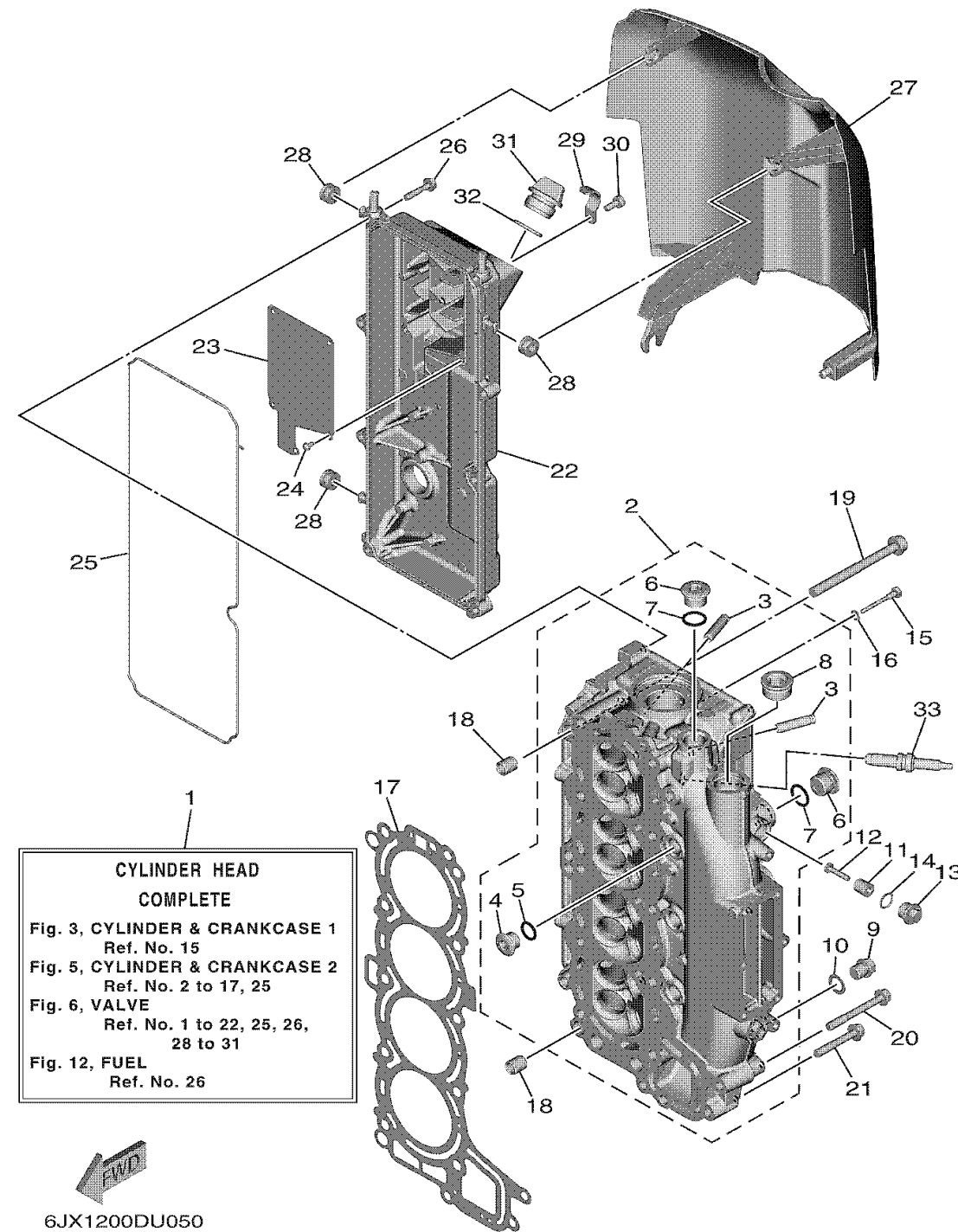
CYLINDER CRANKCASE 2



Ref No.	Part Number	Description	Qty	Remarks
1	6FP-W009A-10-9S	CYLINDER HEAD COMPLETE	1	
2	6FP-W1111-00-9S	HEAD, CYLINDER 1	1	
3	6DA-11133-10-00	. .GUIDE, VALVE 1	16	
4	90340-99001-00	. .PLUG, STRAIGHT SCREW	3	
5	93210-14579-00	. .O-RING	3	
6	90340-97002-00	. .PLUG, STRAIGHT SCREW	4	
7	93210-18322-00	. .O-RING	4	
8	90340-27001-00	. .PLUG, STRAIGHT SCREW	1	
9	90340-14M06-00	PLUG, STRAIGHT SCREW	1	
10	90430-14115-00	.GASKET	1	
11	6G8-11325-00-00	ANODE	2	
12	98980-05025-00	SCREW, BIND	2	
13	6G8-11197-B0-00	PLUG, BLIND	2	
14	93210-13M63-00	.O-RING	2	
15	90109-06M65-00	BOLT	1	
16	90430-06014-00	.GASKET	1	
17	6FP-11181-00-00	.GASKET, CYLINDER HEAD 1	1	
18	99530-14016-00	PIN, DOWEL	2	
19	90149-10072-00	SCREW	10	
20	90105-08220-00	BOLT, FLANGE	1	

CONTINUED ON NEXT FRAME >

CYLINDER CRANKCASE 2



Ref No.	Part Number	Description	Qty	Remarks
21	90105-08175-00	BOLT, FLANGE	2	
22	6FP-11191-00-00	COVER, CYLINDER HEAD 1	1	
23	6FP-11168-00-00	COVER, BREATHER	1	
24	97607-04208-00	SCREW, WITH WASHER	5	
25	6FP-11193-00-00	.GASKET, HEAD COVER 1	1	
26	95D95-06030-00	BOLT, FLANGE DEEP RECESS	8	
27	6FP-11192-00-00	COVER, CYLINDER HEAD 2	1	
28	90480-12314-00	GROMMET	3	
29	6CJ-13428-00-00	BRACKET, STRAINER 1	1	
30	97E95-06516-00	BOLT, HEXAGON W/W DEEP RECESS	1	
31	6G8-15363-00-00	PLUG, OIL	1	
32	93210-24M79-00	.O-RING	1	
33	LKR-6E000-00-00	PLUG, SPARK (NGK LKR6E)	4	