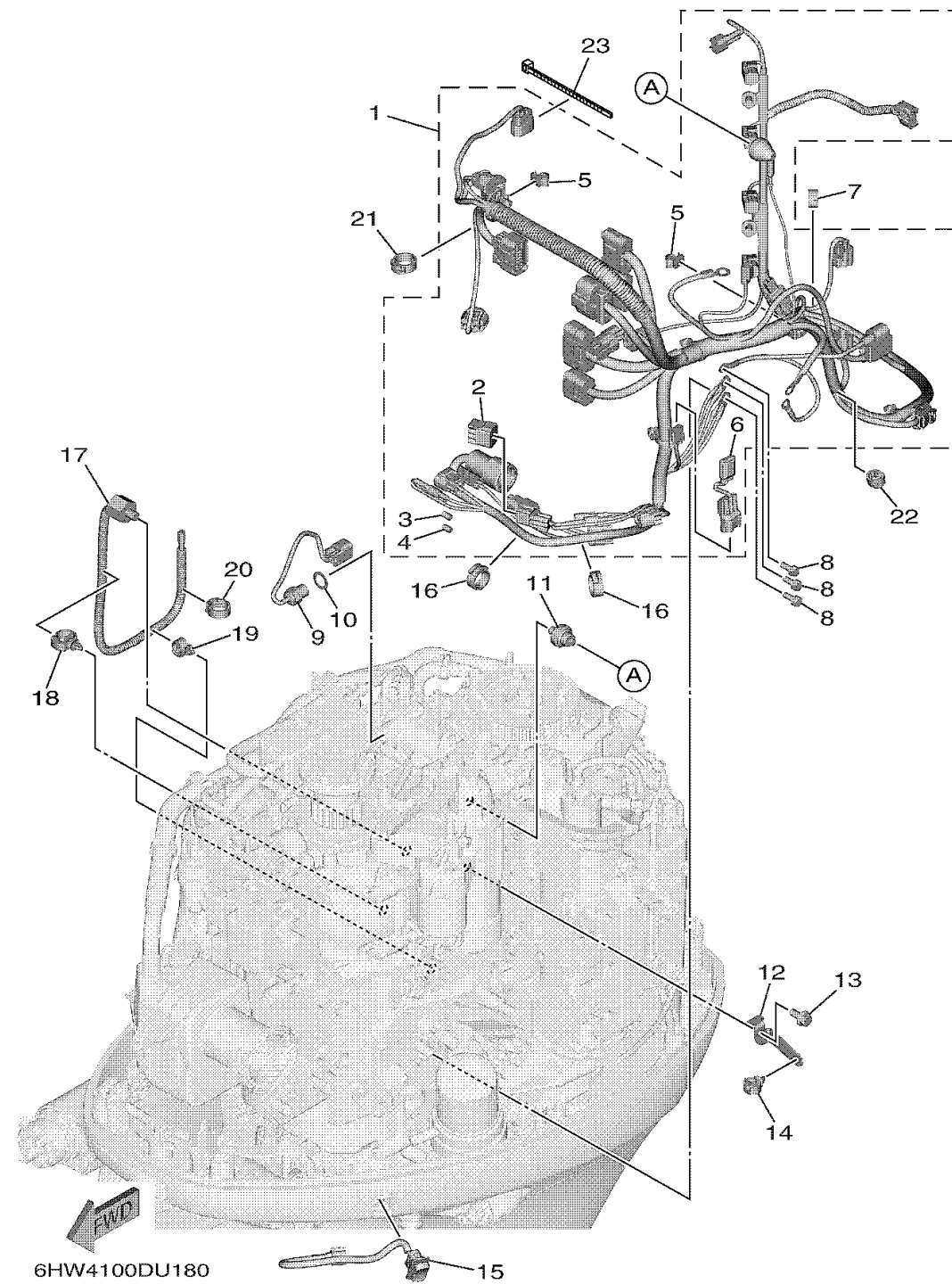


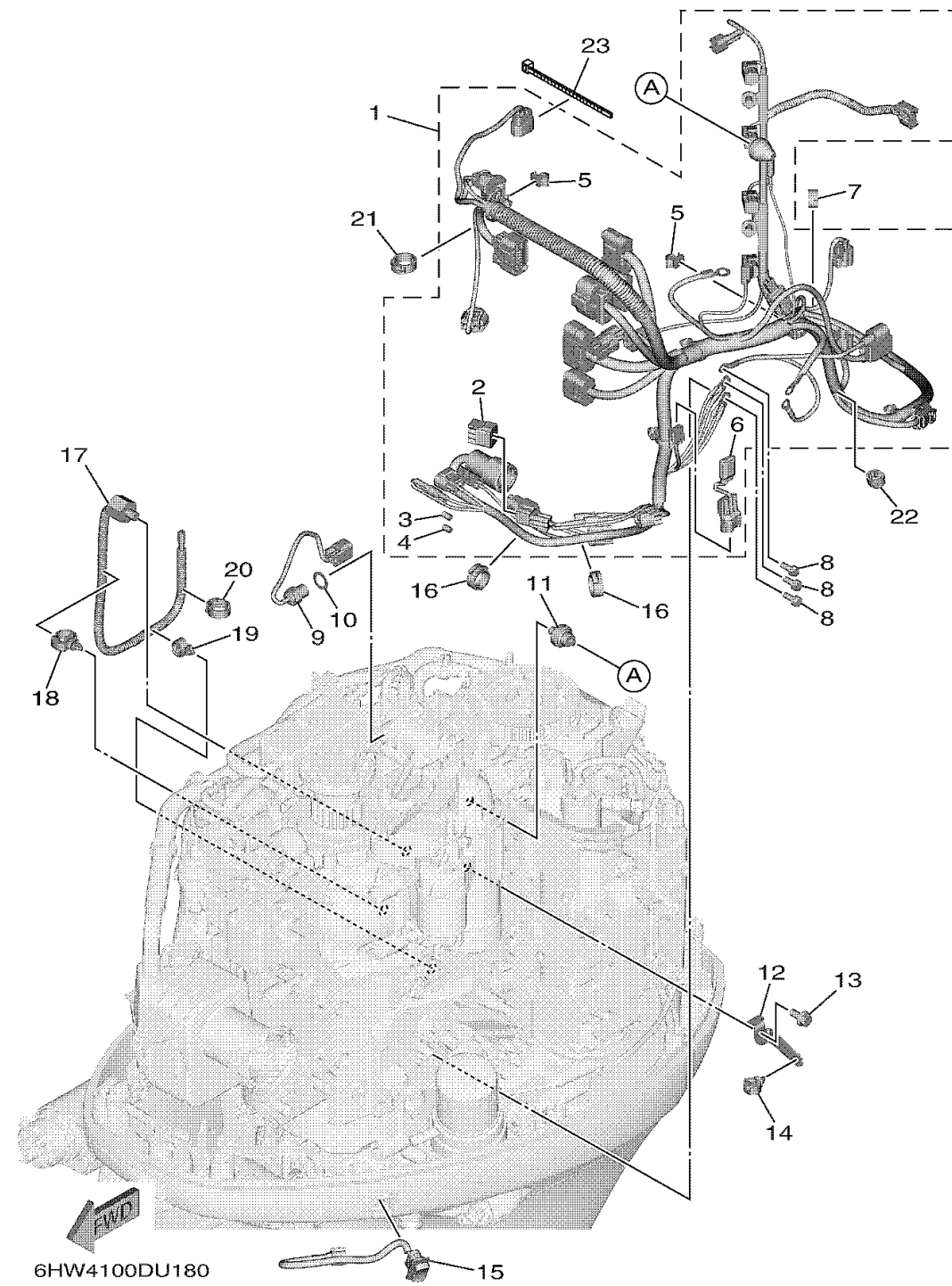
ELECTRICAL 5



Ref No.	Part Number	Description	Qty	Remarks
1	6FP-82590-12-00	WIRE HARNESS ASSY	1	
2	6Y8-82582-11-00	. .CAP 1 (4PIN)	1	
3	6DA-82582-00-00	. .CAP 1 (FEMALE)	1	
4	6DA-82582-10-00	. .CAP 1 (MALE)	1	
5	90464-09M47-00	. .CLAMP	2	
6	6FM-81980-01-00	. .DIODE ASSY	1	
7	90464-13227-00	CLAMP	1	
8	97E95-06516-00	BOLT, HEXAGON W/W DEEP RECESS	3	
9	6CJ-85790-00-00	THERMOSENSOR ASSY	1	
10	90430-14115-00	.GASKET	1	
11	68V-82504-00-00	OIL PRESSURE SWITCH ASSY	1	
12	6JX-85548-00-00	HOLDER	1	
13	95D95-06016-00	BOLT, FLANGE DEEP RECESS	1	
14	90464-13249-00	CLAMP	1	
15	6FM-82563-01-00	TRIM & TILT SWITCH ASSY	1	
16	90464-16001-00	CLAMP	2	
17	6CJ-85780-02-00	SENSOR, KNOCK	1	
18	90464-20181-00	CLAMP	1	
19	90464-13249-00	CLAMP	1	
20	90464-16001-00	CLAMP	1	

CONTINUED ON NEXT FRAME >

ELECTRICAL 5



Ref No.	Part Number	Description	Qty	Remarks
21	90464-16001-00	CLAMP	1	
22	90464-13227-00	CLAMP	1	
23	90465-13M97-00	CLAMP	1	