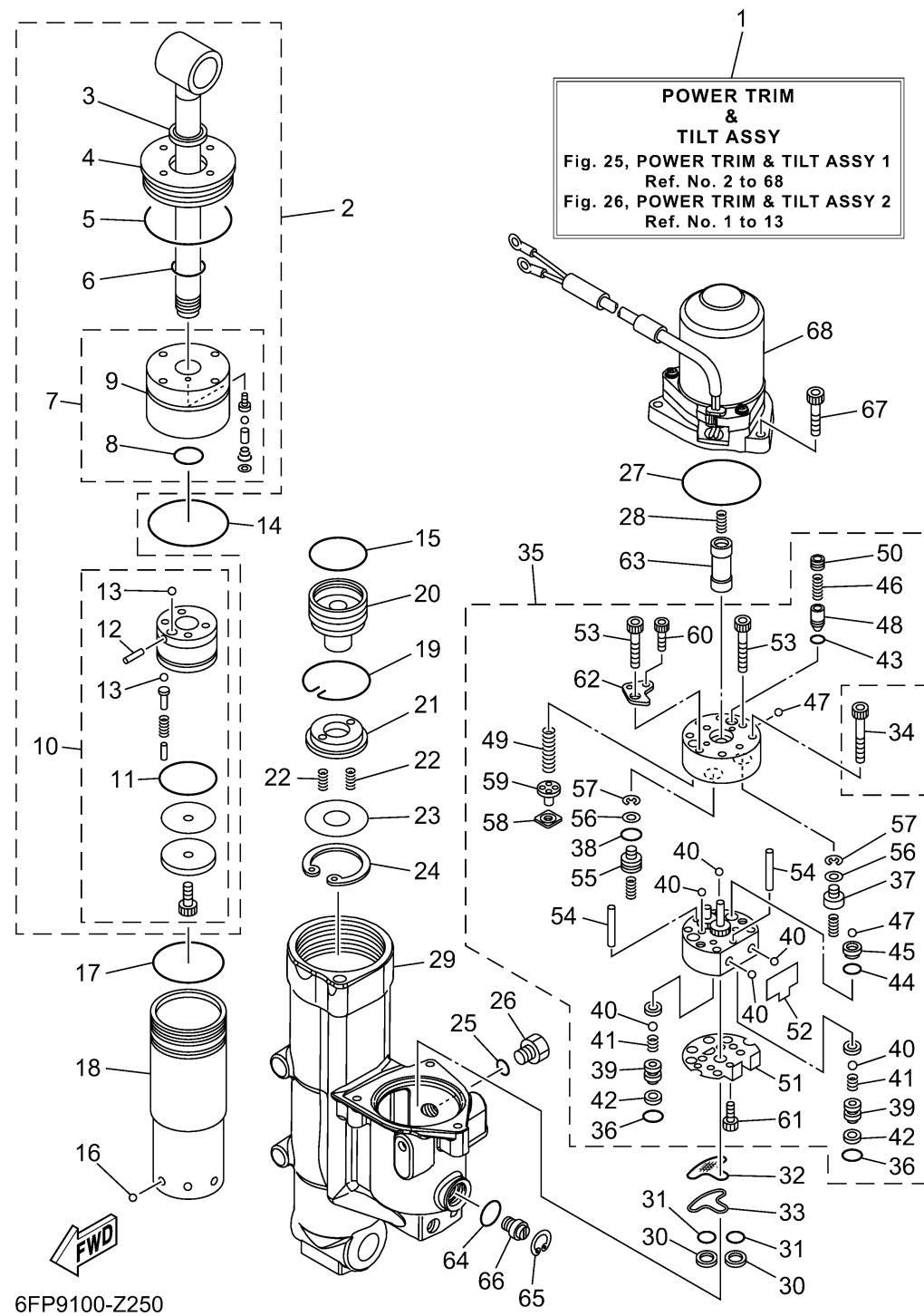


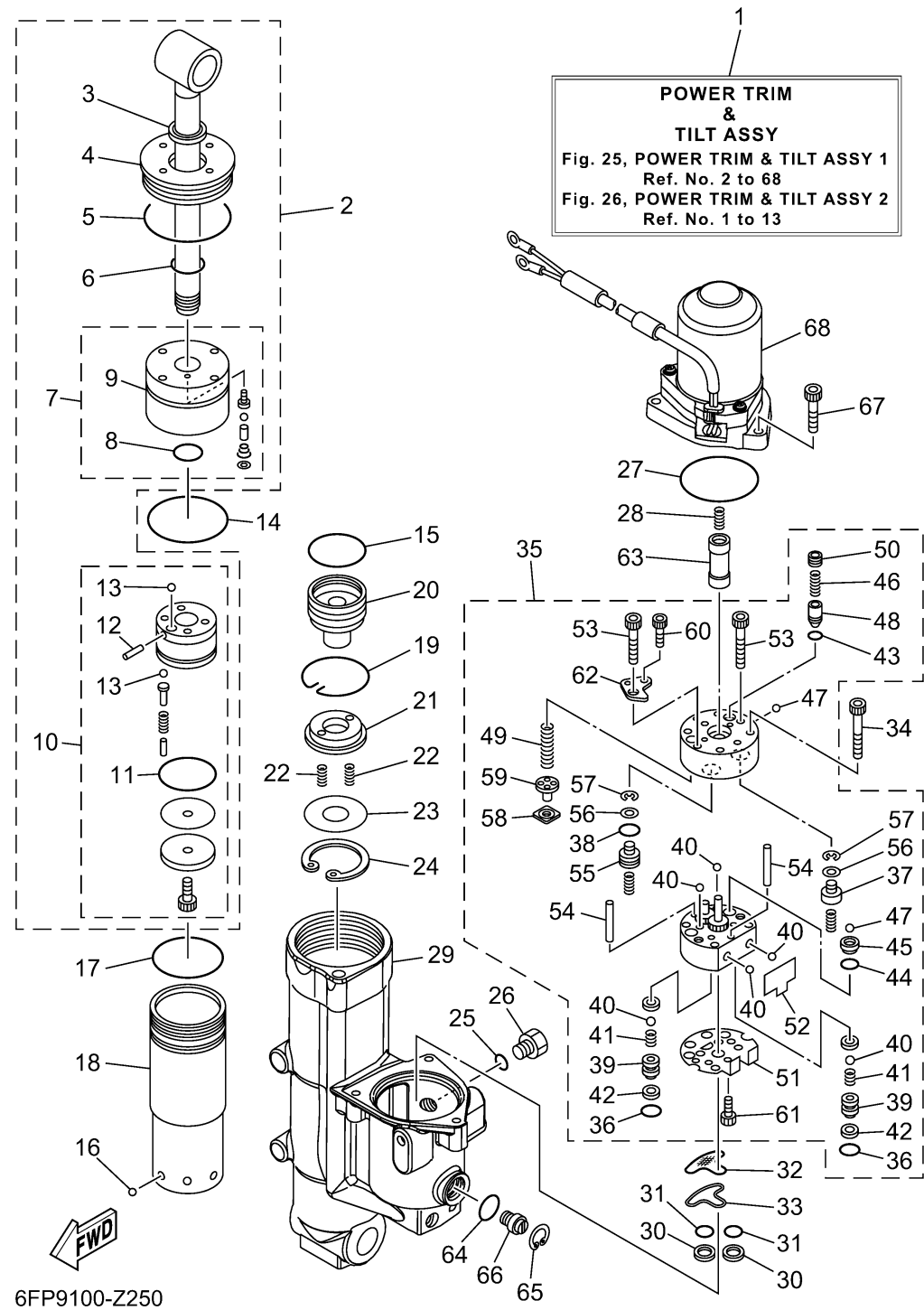
# POWER TRIM TILT ASSY 1



Ref No.	Part Number	Description	Qty	Remarks
1	6FP-43800-02-00	POWER TRIM & TILT ASSY	1	
2	6EK-43810-00-00	TILT PISTON SUB ASSY	1	
3	6H1-43812-00-00	..SEAL, DUST	1	
4	6EK-43821-00-00	..SCREW, TRIM CYLINDER END	1	
5	6EK-43861-00-00	..O-RING	1	
6	6D8-43861-00-00	...O-RING	1	
7	6EK-4380R-00-00	..CYLINDER END SUB ASSY	1	
8	6D8-43861-00-00	...O-RING	1	
9	6EK-43811-00-00	...SCREW, CYLINDER END	1	
10	6EK-4380P-00-00	..PISTON SUB ASSY	1	
11	6H1-43862-00-00	.. O-RING	1	
12	91609-16012-00	...PIN, SPRING	1	
13	93505-32038-00	...BALL	5	
14	67F-43865-00-00	..O-RING	1	
15	6H1-43862-00-00	O-RING	1	
16	93503-16003-00	BALL	6	
17	7BB-G3861-00-00	O-RING	1	
18	6EK-22471-01-00	CYLINDER, SHOCK ABSORBER	1	
19	6EK-43875-00-00	RING, SNAP	1	
20	6EK-4381B-00-00	FREE PISTON SUB ASSY	1	

CONTINUED ON NEXT FRAME >

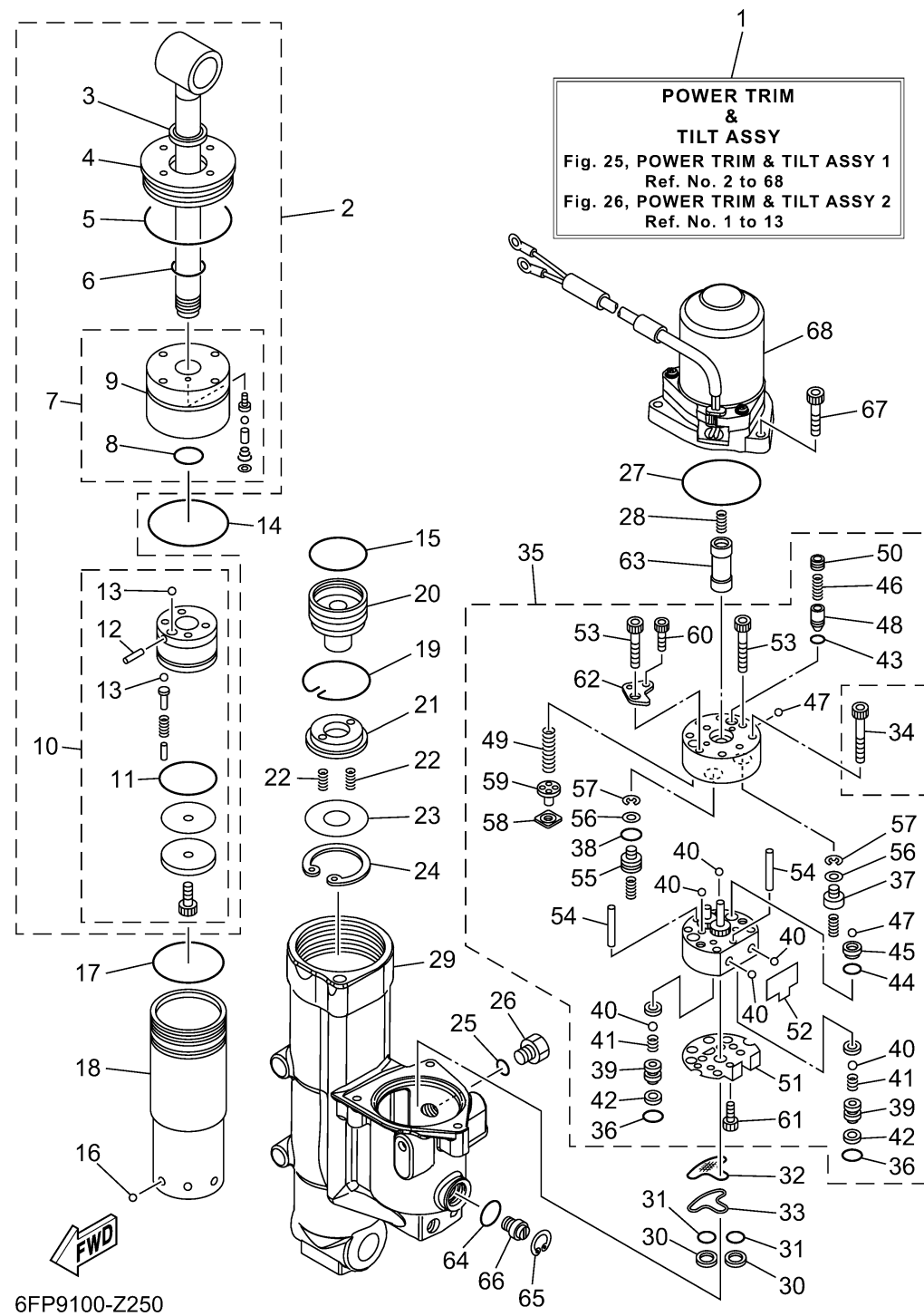
# POWER TRIM TILT ASSY 1



Ref No.	Part Number	Description	Qty	Remarks
21	6EK-43899-00-00	PLATE STOPPER	1	
22	62X-4384H-00-00	SPRING	2	
23	6EK-22434-00-00	PLATE, VALVE 1	1	
24	99009-47500-00	CIRCLIP	1	
25	93210-09165-00	O-RING	1	
26	6EK-43829-00-00	PLUG, RESERVOIR	1	
27	93210-68N50-00	O-RING	1	
28	62X-4384H-00-00	SPRING	1	
29	6FP-4380K-02-00	CYLINDER, TILT SUB ASSY	1	
30	6C6-43817-00-00	FILTER 2	2	
31	69J-4389J-00-00	.O-RING	2	
32	6C5-43816-00-00	FILTER 1	1	
33	6C5-4380G-00-00	PLATE	1	
34	91318-05045-00	BOLT	4	
35	6FP-43830-00-00	GEAR PUMP ASSY	1	
36	69J-4389J-00-00	.O-RING	2	
37	6D8-4384M-00-00	.PISTON, SHUTTLE 2	1	
38	6H1-43883-00-00	.O-RING	1	
39	6EK-4382E-00-00	.ADAPTOR 2	2	
40	93505-32038-00	.BALL	6	

CONTINUED ON NEXT FRAME >

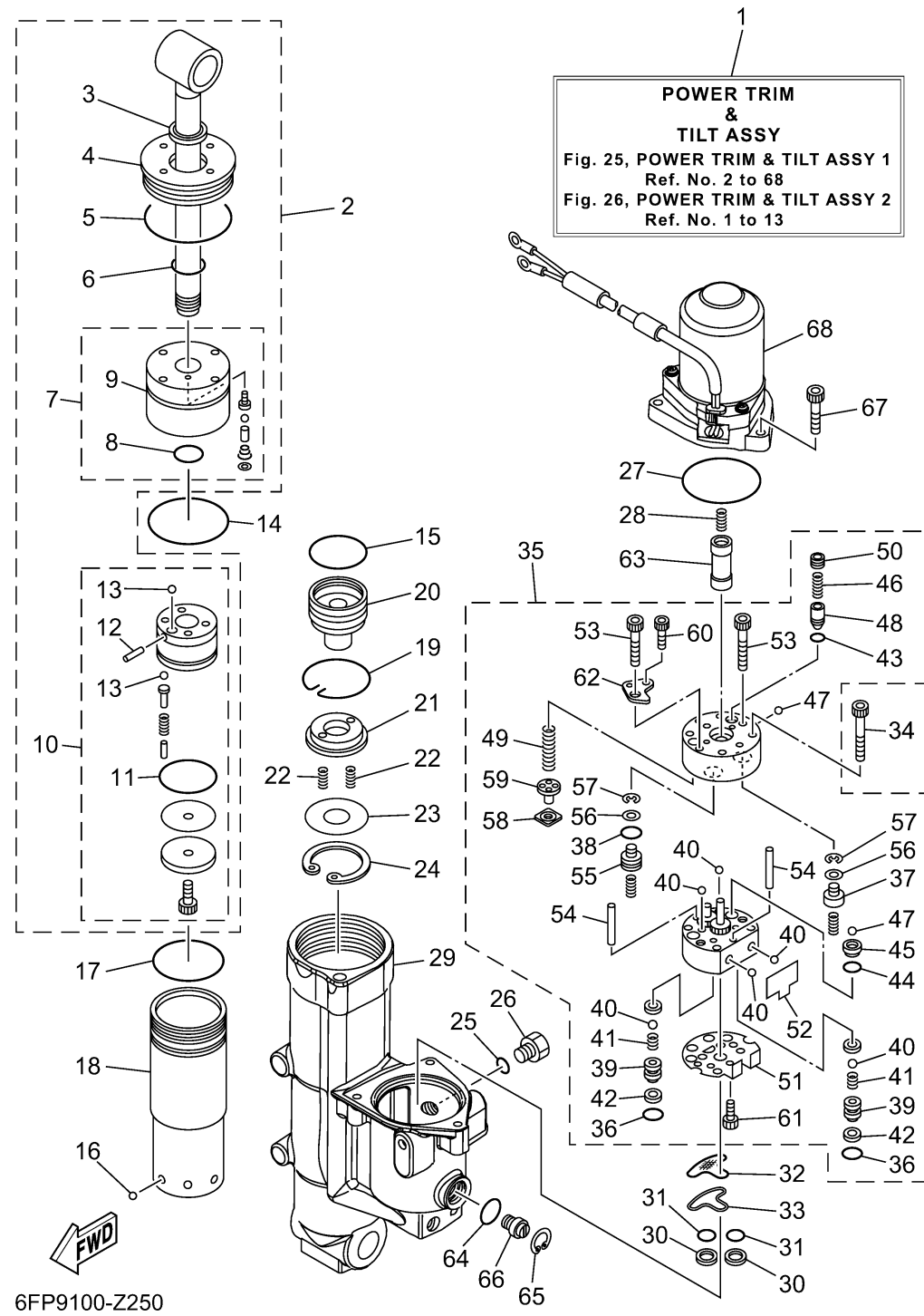
# POWER TRIM TILT ASSY 1



Ref No.	Part Number	Description	Qty	Remarks
41	6C6-43853-00-00	..SPRING, MAIN VALVE	2	
42	6C6-4387G-00-00	..WASHER	2	
43	93210-04N51-00	..O-RING	1	
44	93210-064A5-00	..O-RING	1	
45	6D8-43851-00-00	..SEAT, RELIEF VALVE	1	
46	6C5-43855-10-00	..SPRING, UP RELIEF	1	
47	93501-08001-00	..BALL	2	
48	6D8-43844-00-00	..PIN, VALVE SUPPORT	1	
49	6EK-43856-00-00	..SPRING, DOWN RELIEF	1	
50	6D8-43843-00-00	..SCREW, VALVE LOCK	1	
51	6C5-43895-00-00	..SEAT, RELIEF VALVE	1	
52	6C5-43854-00-00	..SPRING, MANUAL RELEASE	1	
53	91318-05030-00	..BOLT	2	
54	93604-26256-00	..PIN, DOWEL	2	
55	6D8-43841-00-00	..PISTON, SHUTTLE	1	
56	69A-4384F-00-00	..SEAL, MAIN VALVE	2	
57	99002-03600-00	..CIRCLIP	2	
58	6H1-4384G-11-00	..SEAL, RELIEF VALVE	1	
59	6H1-43844-10-00	..PIN, VALVE SUPPORT	1	
60	91318-03025-00	..BOLT	2	

CONTINUED ON NEXT FRAME >

# POWER TRIM TILT ASSY 1



Ref No.	Part Number	Description	Qty	Remarks
61	91318-03005-00	. .BOLT	1	
62	6D8-4382L-00-00	. .CAP, RELIEF VALVE	1	
63	6EK-43831-00-00	CONNECTOR, SHAFT	1	
64	6D8-43863-00-00	O-RING	1	
65	6H1-43875-00-00	RING, SNAP	1	
66	6EK-43845-00-00	SCREW, MANUAL RELEASE	1	
67	91380-06025-00	BOLT	3	
68	6EK-43880-14-00	MOTOR ASSY	1	REFER TO FIG.26