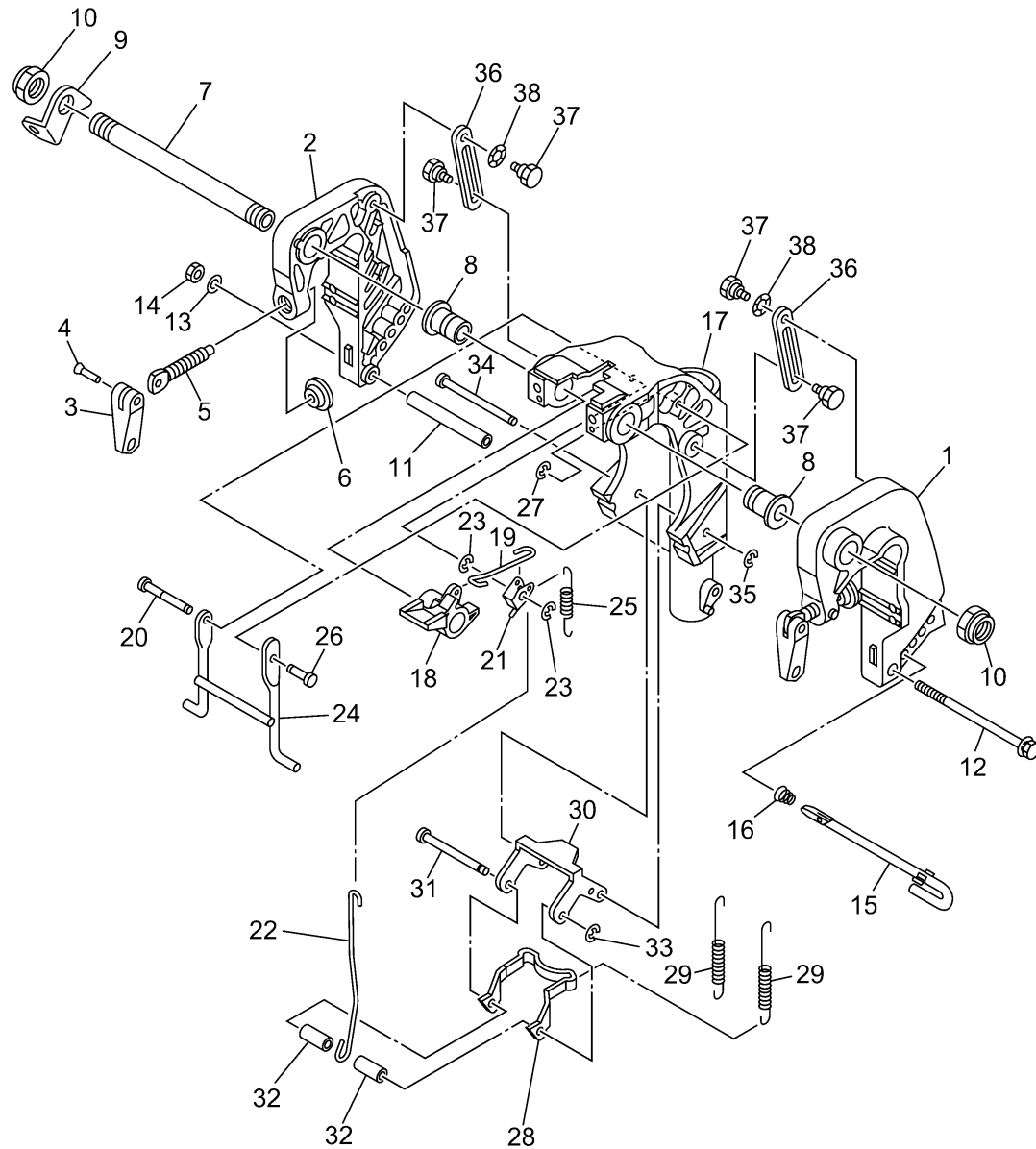


BRACKET 1

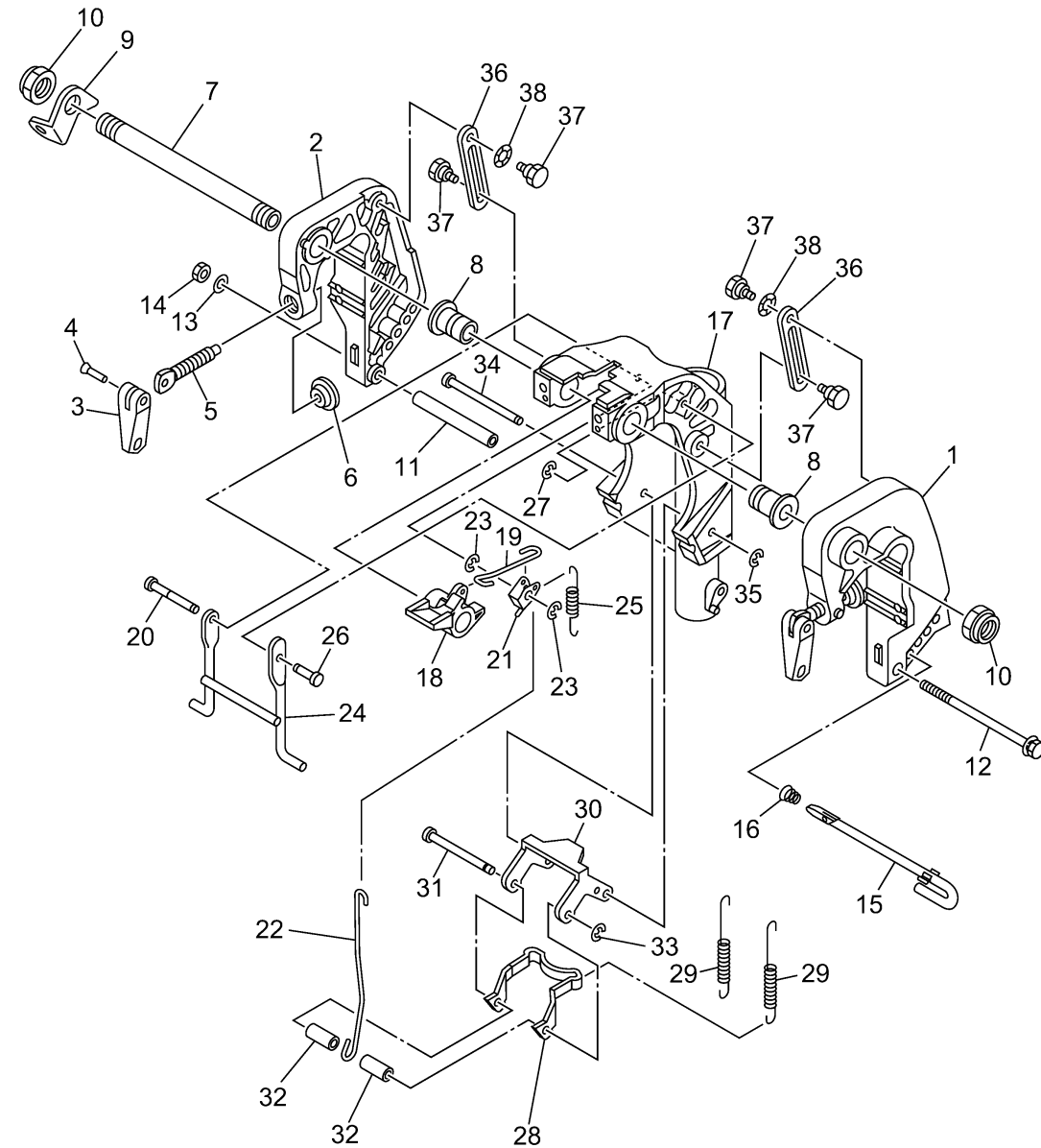


Ref No.	Part Number	Description	Qty	Remarks
1	6AH-43111-00-8D	BRACKET, CLAMP 1	1	
2	6AH-43112-00-8D	BRACKET, CLAMP 2	1	
3	6E0-43118-01-00	HANDLE, TRANSOM CLAMP	2	
4	90243-04M01-00	PIN	2	
5	6E7-43116-00-00	SCREW, TRANSOM CLAMP	2	
6	648-43114-01-00	PAD, TRANSOM CLAMP	2	
7	63W-43131-01-00	BOLT, CLAMP BRACKET	1	
8	90386-22MA4-00	BUSH	2	
9	66R-43113-00-00	PLATE, CLAMP BRACKET	1	
10	90185-22043-00	NUT, SELF-LOCKING	2	
11	90387-06369-00	COLLAR	1	
12	90101-06M18-00	BOLT	1	
13	92995-06600-00	WASHER	1	
14	95380-06700-00	NUT	1	
15	6L2-43160-01-00	TILT ROD ASSY	1	
16	90502-10M07-00	SPRING, CONICAL	1	
17	6AH-43311-00-8D	BRACKET, SWIVEL 1	1	S(17.0")
17	6AU-43311-10-8D	BRACKET, SWIVEL 1	0	L(22.0")
18	6DR-43631-00-00	LEVER, TILT	1	
19	6DR-43616-00-00	ROD, TILT LOCK	1	

CONTINUED ON NEXT FRAME >


6DRC100-X190

BRACKET 1



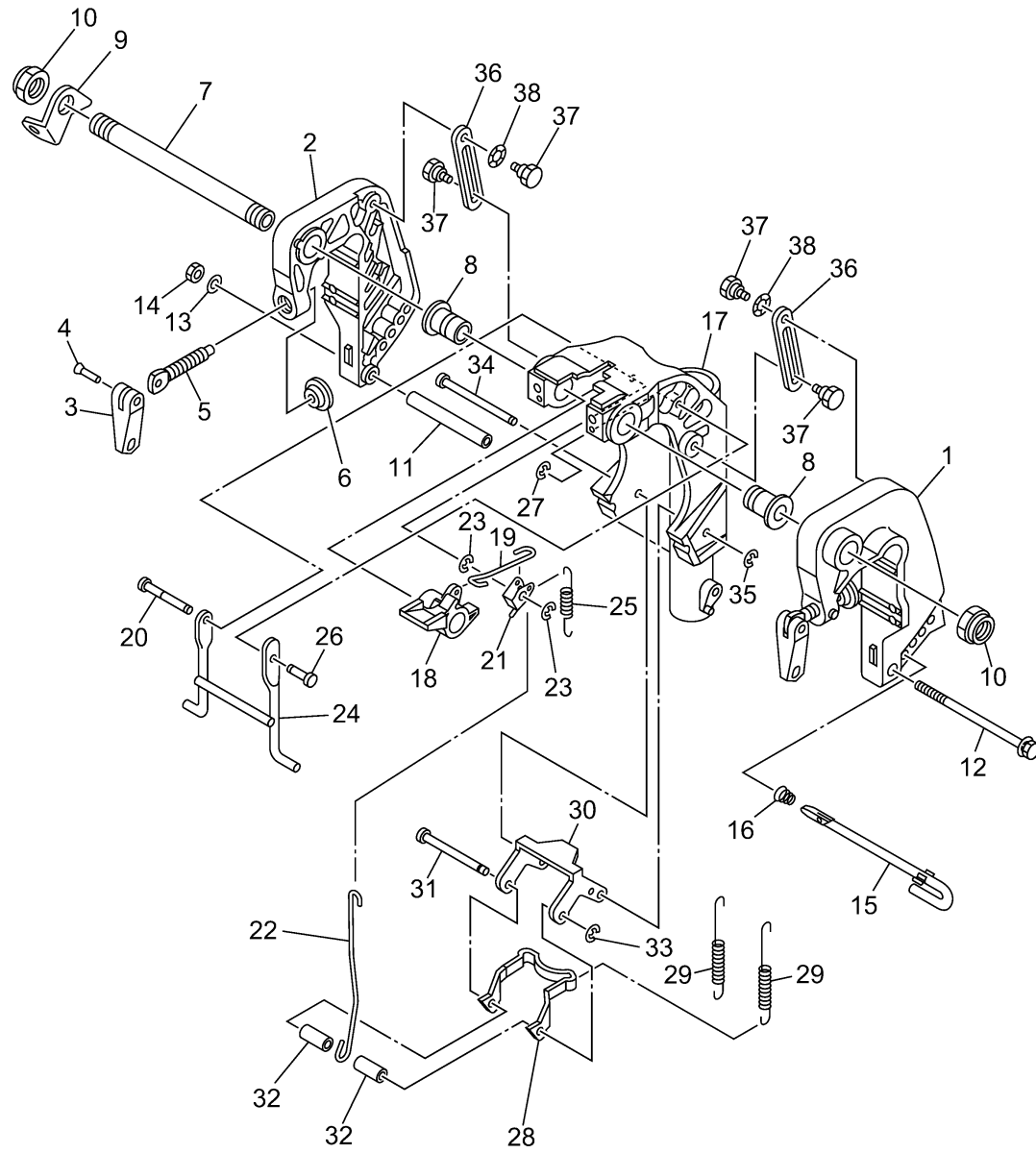
6DRC100-X190

Ref No.	Part Number	Description	Qty	Remarks
20	68T-43646-00-00	SHAFT, LEVER	1	
21	6DR-43641-00-00	LEVER, TILT	1	
22	6AH-43617-00-00	ROD, TILT LOCK	1	
23	99080-05600-00	CIRCLIP	2	
24	6AH-43350-00-00	RECEIVER ASSY	1	
25	90506-18014-00	SPRING, TENSION	1	S(17.0")
25	90506-20025-00	SPRING, TENSION	0	L(22.0")
26	63V-43191-00-00	SHAFT, STOPPER	1	
27	99080-05600-00	CIRCLIP	1	
28	6AH-43614-00-00	PLATE, TILT LOCK	1	
29	90506-20020-00	SPRING, TENSION	2	S(17.0")
29	90506-23016-00	SPRING, TENSION	0	L(22.0")
30	6AH-43615-00-00	PLATE, TILT LOCK	1	
31	68T-43611-00-00	SHAFT, TILT LOCK	1	
32	90387-06138-00	COLLAR	2	
33	93430-04M03-00	CIRCLIP	1	
34	68T-43659-00-00	SHAFT, REVERSE LOCK	1	
35	99080-05600-00	CIRCLIP	1	
36	6AH-43627-00-00	STOPPER	2	
37	90109-06M84-00	BOLT	4	

CONTINUED ON NEXT FRAME >

BRACKET 1

Ref No.	Part Number	Description	Qty	Remarks
38	90206-10M24-00	WASHER, WAVE	2	




6DRC100-X190