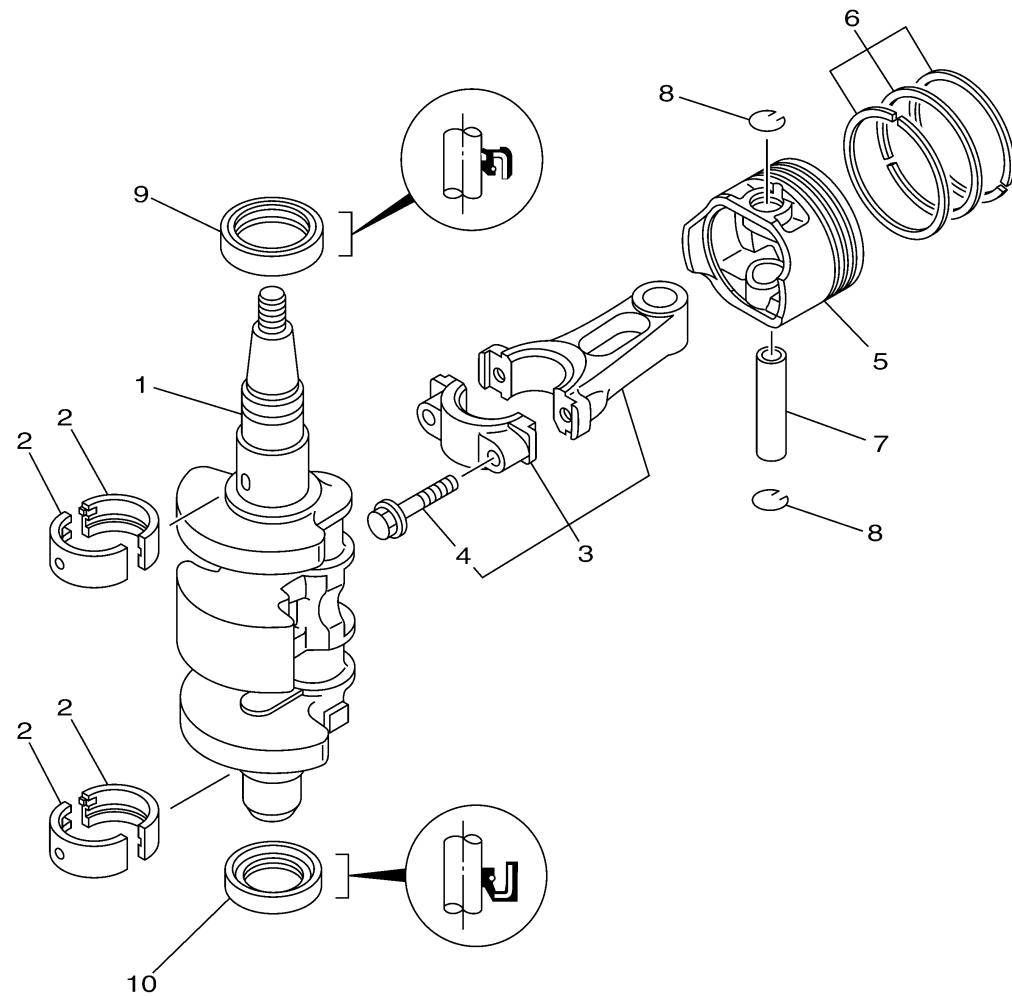


CRANKSHAFT PISTON



Ref No.	Part Number	Description	Qty	Remarks
1	6AU-11411-00-00	CRANKSHAFT	1	
2	68T-11416-01-00	PLANE BEARING, CRANKSHAFT 1	4	UR BROWN
2	68T-11416-11-00	PLANE BEARING, CRANKSHAFT 1	4	UR BLACK
2	68T-11416-21-00	PLANE BEARING, CRANKSHAFT 1	4	UR BLUE
3	6AU-11650-00-00	CONNECTING ROD ASSY	2	
4	67D-11654-00-00	. .BOLT, CONNECTING ROD	2	
5	6AU-11631-00-96	PISTON (STD)	2	
5	6AU-11635-00-00	PISTON (0.25MM O/S)	2	AP
5	6AU-11636-00-00	PISTON (0.50MM O/S)	2	AP
6	68T-11603-01-00	PISTON RING SET (STD)	2	
6	68T-11604-01-00	PISTON RING SET (0.25MM O/S)	2	AP
6	68T-11605-01-00	PISTON RING SET (0.50MM O/S)	2	AP
7	68T-11633-00-00	PIN, PISTON	2	
8	93450-15023-00	CIRCLIP	4	
9	93102-30M22-00	.OIL SEAL	1	
10	93101-25M69-00	.OIL SEAL	1	


6DR1100-M040