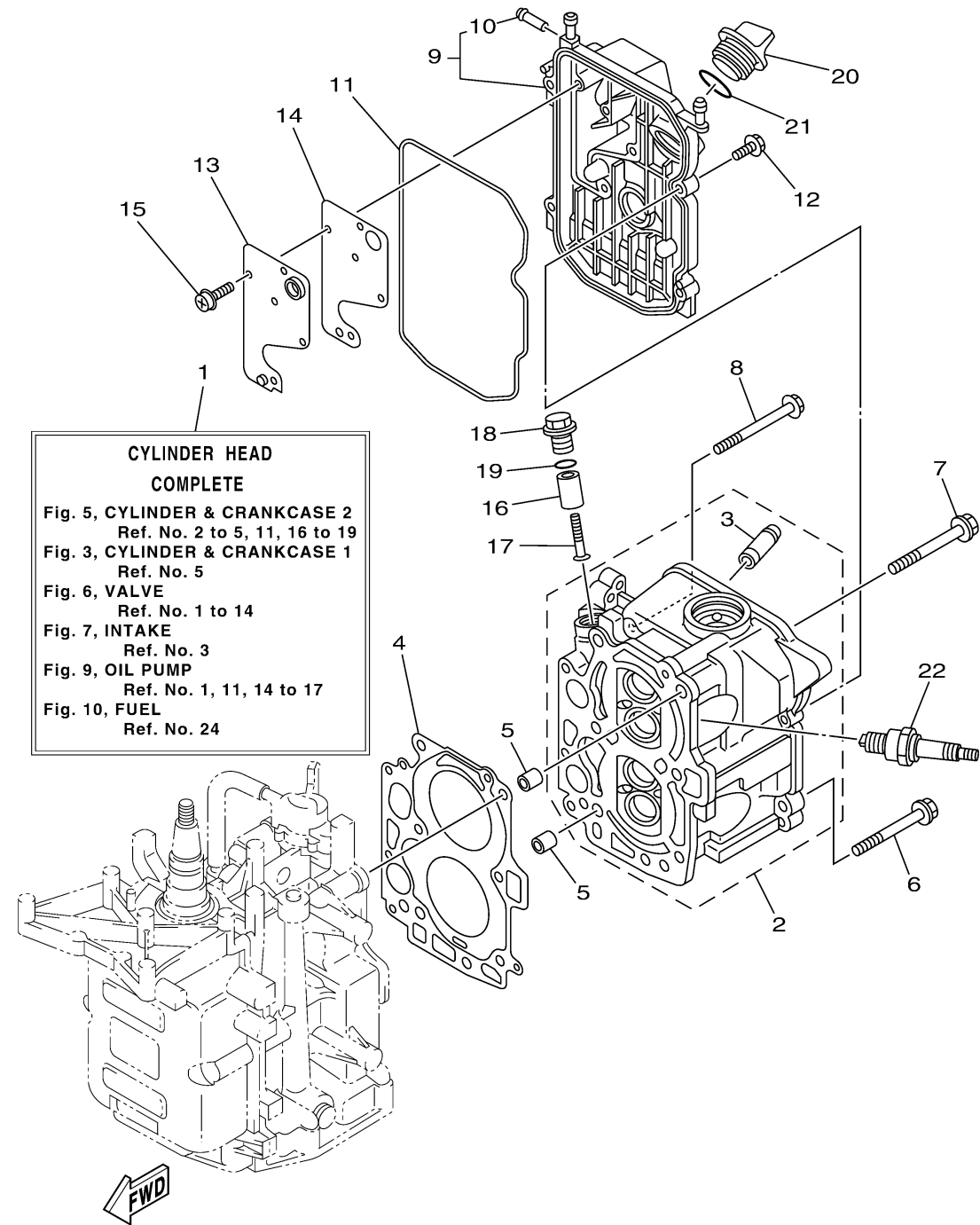


# CYLINDER CRANKCASE 2



Ref No.	Part Number	Description	Qty	Remarks
1	6AU-W009A-02-1S	CYLINDER HEAD COMPLETE	1	
2	6AU-11111-00-1S	HEAD, CYLINDER 1	1	
3	6AU-11133-10-00	.GUIDE, VALVE 1	4	
4	68T-11181-00-00	.GASKET, CYLINDER HEAD 1	1	
5	99530-10114-00	PIN, DOWEL	2	
6	90105-08M36-00	BOLT, FLANGE	2	
7	90105-08M78-00	BOLT, FLANGE	4	
8	90119-06049-00	BOLT, WITH WASHER	3	
9	68T-11191-01-1S	COVER, CYLINDER HEAD 1	1	
10	650-24378-00-00	.PIPE, JOINT 4	1	
11	68T-11356-00-00	.SEAL, CYLINDER 2	1	
12	97E95-06520-00	BOLT, HEXAGON W/W DEEP RECESS	4	
13	68T-11168-00-00	COVER, BREATHER	1	
14	68T-11169-A0-00	.GASKET, BREATHER COVER	1	
15	97607-04210-00	SCREW, WITH WASHER	5	
16	6G8-11325-00-00	ANODE	1	
17	98980-05025-00	SCREW, BIND	1	
18	6G8-11197-B0-00	PLUG, BLIND	1	
19	93210-13M63-00	.O-RING	1	
20	6G8-15363-00-00	PLUG, OIL	1	

CONTINUED ON NEXT FRAME >

# CYLINDER CRANKCASE 2

Ref No.	Part Number	Description	Qty	Remarks
21	93210-24M79-00	.O-RING	1	
22	BR6-HS100-00-00	PLUG, SPARK (NGK BR6HS-10)	2	

