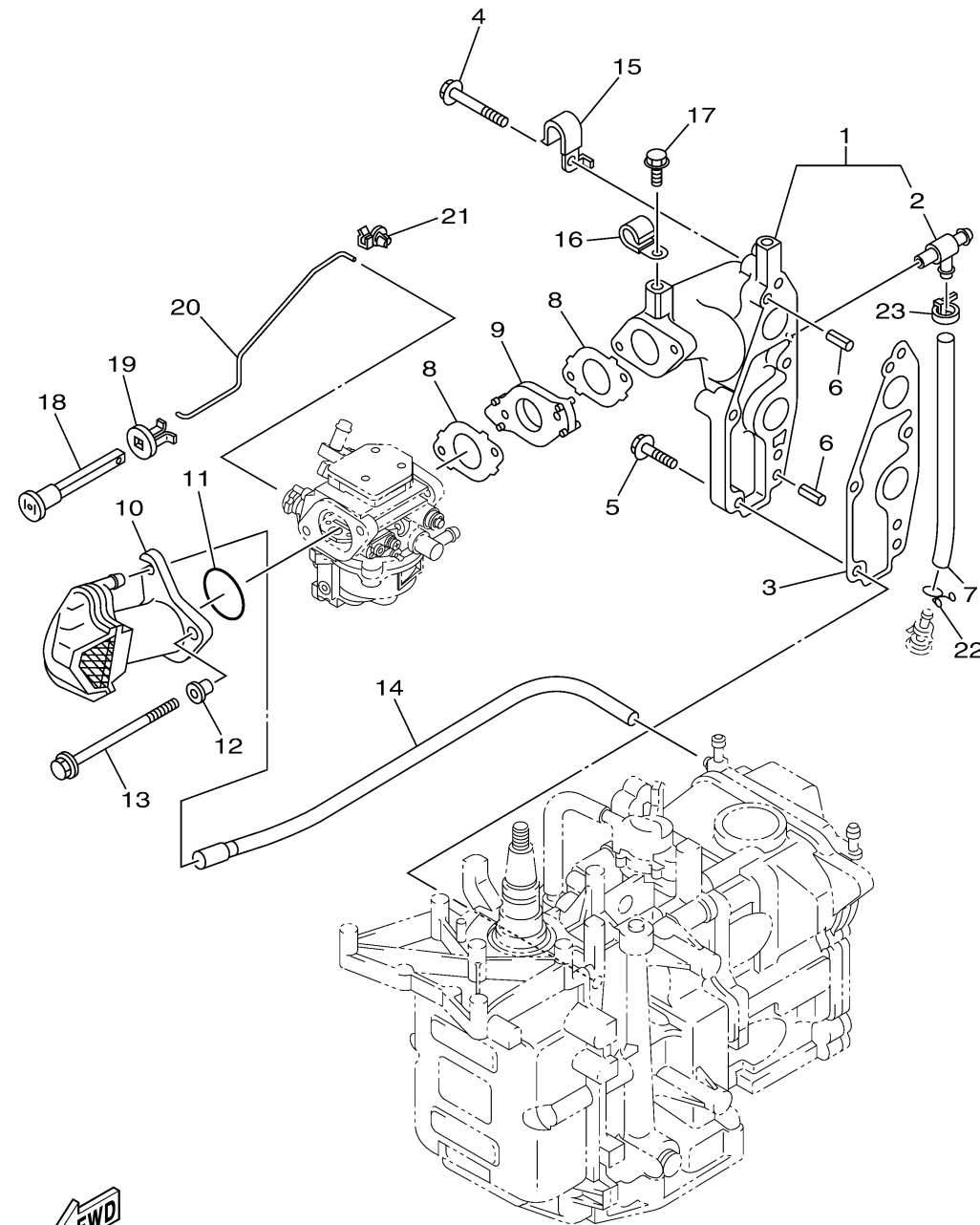


# INTAKE



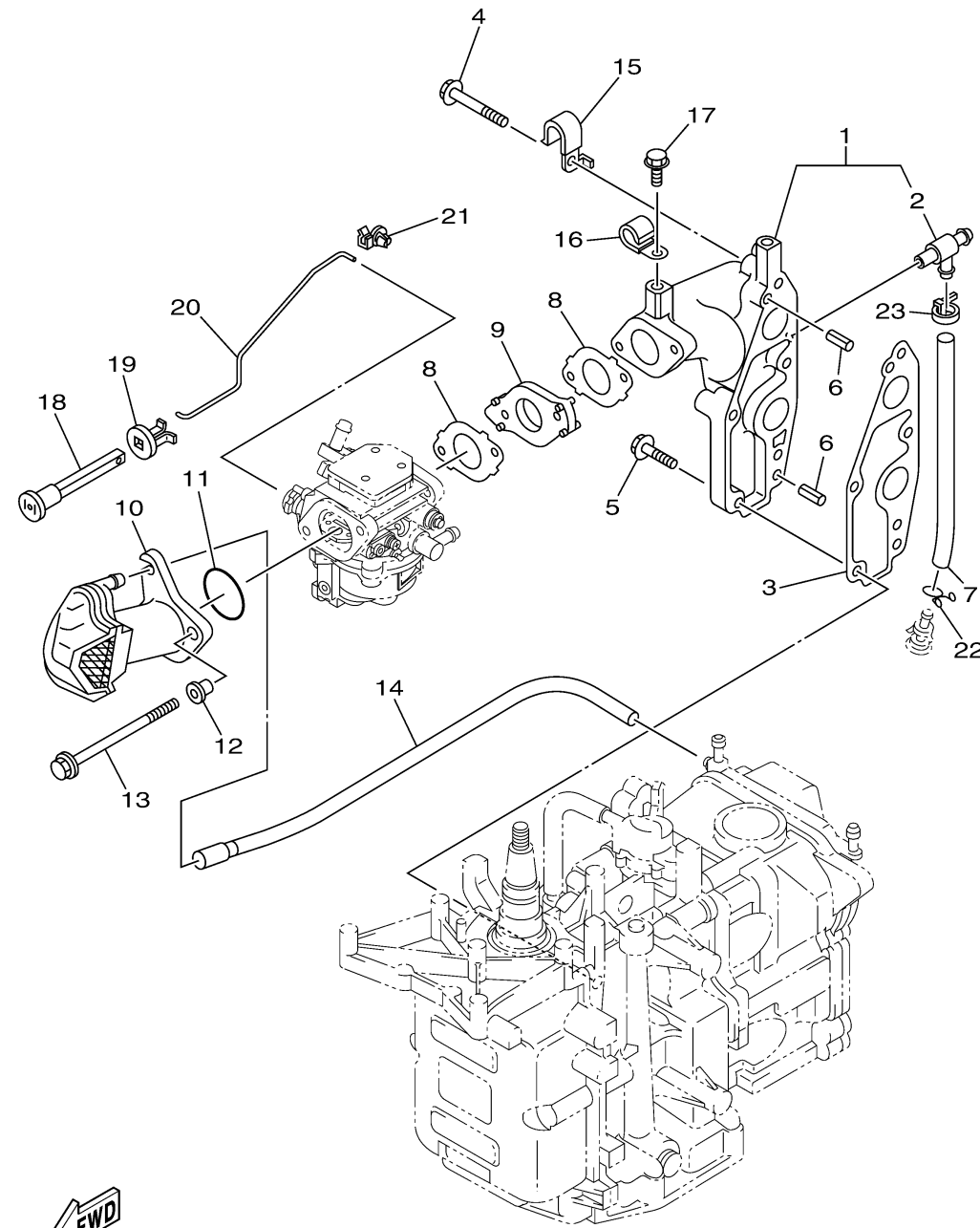
  
6FW2100-Q070

| Ref No. | Part Number     | Description                   | Qty | Remarks      |
|---------|-----------------|-------------------------------|-----|--------------|
| 1       | 68T-13641-20-1S | MANIFOLD, INTAKE 1            | 1   | FLUSHING KIT |
| 2       | 67F-12482-00-00 | .PIPE 2                       | 1   |              |
| 3       | 68T-13645-00-00 | .GASKET, MANIFOLD 1           | 1   |              |
| 4       | 90119-06MA5-00  | BOLT, WITH WASHER             | 3   |              |
| 5       | 90119-06MA3-00  | BOLT, WITH WASHER             | 2   |              |
| 6       | 91690-50014-00  | PIN, SPRING                   | 2   |              |
| 7       | 90445-09M20-00  | HOSE (L95)                    | 1   | FLUSHING KIT |
| 8       | 68T-13646-A0-00 | .GASKET, MANIFOLD 2           | 2   |              |
| 9       | 68T-14271-00-00 | INSULATOR                     | 1   |              |
| 10      | 6AU-14440-00-00 | SILENCER ASSY, INTAKE         | 1   |              |
| 11      | 93210-31MJ5-00  | .O-RING                       | 1   |              |
| 12      | 90387-06M70-00  | COLLAR                        | 2   |              |
| 13      | 90105-06188-00  | BOLT, FLANGE                  | 2   |              |
| 14      | 68T-12483-00-00 | PIPE 3                        | 1   |              |
| 15      | 90465-08M99-00  | CLAMP                         | 1   |              |
| 16      | 90465-08M83-00  | CLAMP                         | 1   | FLUSHING KIT |
| 17      | 97E95-06510-00  | BOLT, HEXAGON W/W DEEP RECESS | 1   | FLUSHING KIT |
| 18      | 6H4-41271-02-00 | KNOB, CHOKE                   | 1   |              |
| 19      | 689-41273-00-00 | GROMMET                       | 1   |              |
| 20      | 68T-41256-00-00 | ROD, CHOKE 1                  | 1   |              |

CONTINUED ON NEXT FRAME >

# INTAKE

| Ref No. | Part Number     | Description        | Qty | Remarks |
|---------|-----------------|--------------------|-----|---------|
| 21      | 6J8-41262-00-00 | JOINT, CHOKE LEVER | 1   |         |
| 22      | 90467-08M18-00  | CLIP               | 1   |         |
| 23      | 90465-11M10-00  | CLAMP              | 1   |         |



6FW2100-Q070