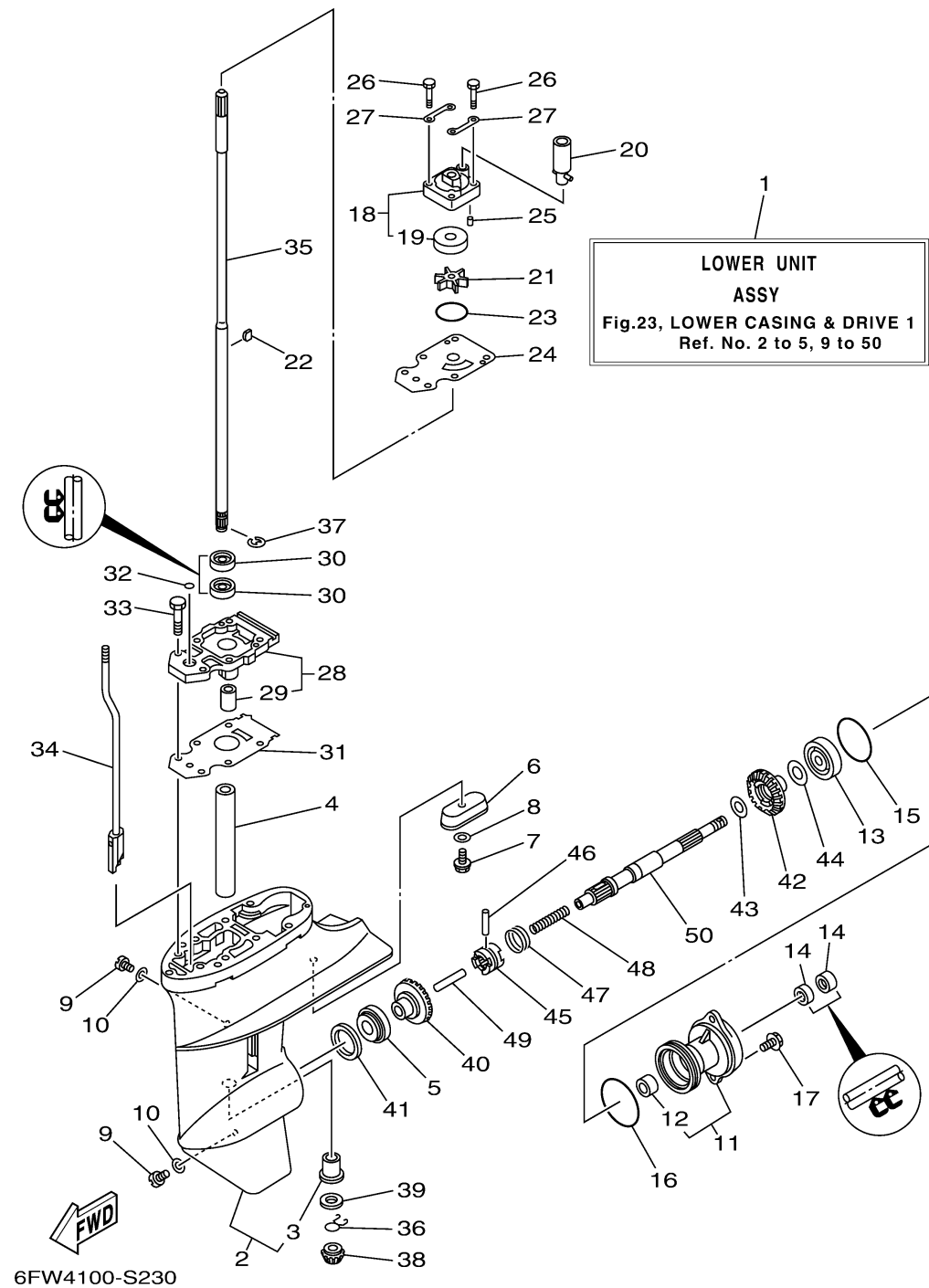


LOWER CASING DRIVE 1

Ref No.	Part Number	Description	Qty	Remarks
1	6AU-45300-05-8D	LOWER UNIT ASSY	1	S(17.0")
1	6AU-45300-15-8D	LOWER UNIT ASSY	0	L(22.0")
2	6AU-45311-01-8D	CASING, LOWER	1	
3	6G1-45317-09-00	.BUSHING, DRIVE SHAFT	1	
4	90387-14M49-00	COLLAR	1	
5	93306-004U0-00	BEARING	1	
6	68T-45251-00-00	ANODE	1	
7	95D95-06016-00	BOLT, FLANGE DEEP RECESS	1	
8	92990-06300-00	WASHER, INTERNAL TOOTH	1	
9	90340-08002-00	PLUG, STRAIGHT SCREW	2	
10	90430-08003-00	.GASKET	2	
11	6G1-45361-01-8D	CAP, LOWER CASING	1	
12	6G1-45362-09-00	.BUSHING	1	
13	93306-004U0-00	BEARING	1	
14	93101-15074-00	.OIL SEAL	2	
15	93210-49046-00	.O-RING	1	
16	93210-53M08-00	.O-RING	1	
17	97E95-06516-00	BOLT, HEXAGON W/W DEEP RECESS	2	
18	63V-44301-00-00	WATER PUMP HOUSING COMP.	1	
19	63V-44322-00-00	.INSERT, CARTRIDGE	1	

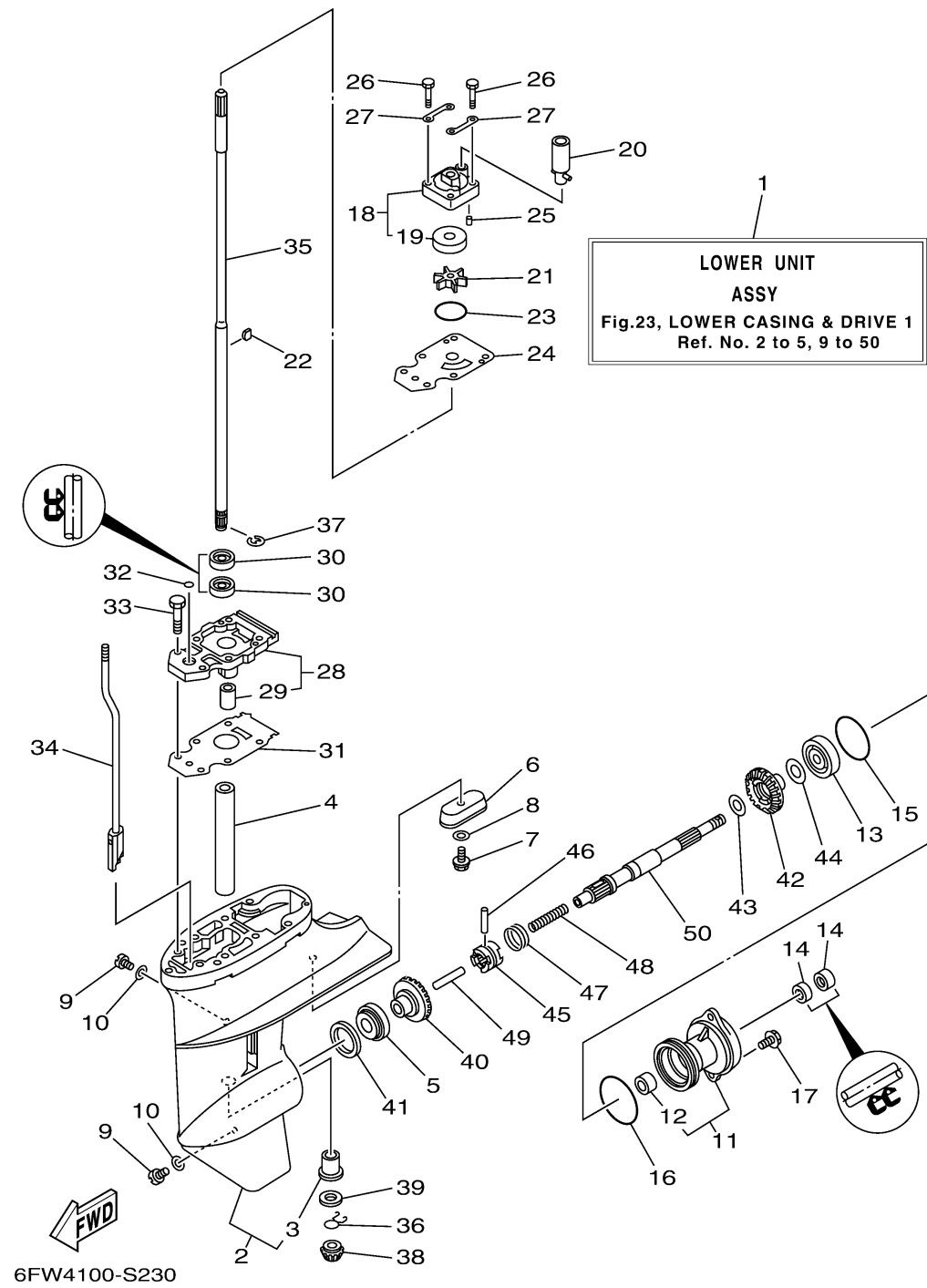
CONTINUED ON NEXT FRAME >



LOWER CASING DRIVE 1

Ref No.	Part Number	Description	Qty	Remarks
20	68T-44366-01-00	.DAMPER, WATER SEAL 2	1	
21	68T-44352-00-00	.IMPELLER	1	
22	664-44338-00-00	.KEY, WOODRUFF	1	
23	93210-44398-00	.O-RING	1	
24	68T-44323-00-00	.OUTER PLATE, CARTRIDGE	1	
25	93604-12M07-00	PIN, DOWEL	2	
26	97D95-08045-00	.BOLT, HEXAGON DEEP RECESS	4	
27	63V-44328-01-00	PLATE	2	
28	68T-45331-01-CA	HOUSING, BEARING	1	
29	6G1-45316-09-00	.BUSHING, DRIVE SHAFT	1	
30	93101-11M23-00	.OIL SEAL	2	
31	68T-45315-A0-00	.PACKING, LOWER CASING	1	
32	93210-06ME6-00	.O-RING	1	
33	97080-08025-00	BOLT	2	
34	68T-44150-01-00	SHIFT CAM ASSY	1	
35	6AU-45511-00-00	SHAFT, DRIVE	1	S(17.0")
35	6AU-45511-10-00	SHAFT, DRIVE	0	L(22.0")
36	90467-09M05-00	CLIP	1	
37	99001-07600-00	CIRCLIP	1	
38	68T-45551-00-00	PINION (13T)	1	

CONTINUED ON NEXT FRAME >



LOWER CASING DRIVE 1

Ref No.	Part Number	Description	Qty	Remarks
39	6G1-45533-00-00	SHIM (T:1.90MM)	1	UR
39	6G1-45533-10-00	SHIM (T:2.00MM)	1	UR
39	6G1-45533-20-00	SHIM (T:2.10MM)	1	UR
39	6G1-45533-30-00	SHIM (T:2.20MM)	1	UR
40	68T-45560-00-00	GEAR 1 (27T)	1	
41	664-45587-01-00	SHIM (T:0.10MM)	1	UR
41	664-45587-10-00	SHIM (T:0.12MM)	1	UR
41	664-45587-20-00	SHIM (T:0.15MM)	1	UR
41	664-45587-30-00	SHIM (T:0.18MM)	1	UR
41	664-45587-40-00	SHIM (T:0.30MM)	1	UR
41	664-45587-50-00	SHIM (T:0.40MM)	1	UR
41	664-45587-60-00	SHIM (T:0.50MM)	1	UR
42	68T-45571-00-00	GEAR 2 (27T)	1	
43	90201-15M89-00	WASHER, PLATE	1	
44	647-45567-00-00	SHIM (T:0.10MM)	1	UN
45	68T-45631-00-00	CLUTCH, DOG	1	
46	6G1-45632-00-00	PIN, CROSS	1	
47	654-45633-00-00	RING, CROSS PIN	1	
48	90501-140A1-00	SPRING, COMPRESSION	1	
49	6G1-45635-00-00	PLUNGER, SHIFT	1	

CONTINUED ON NEXT FRAME >

LOWER CASING DRIVE 1

Ref No.	Part Number	Description	Qty	Remarks
50	68T-45611-00-00	SHAFT, PROPELLER	1	

