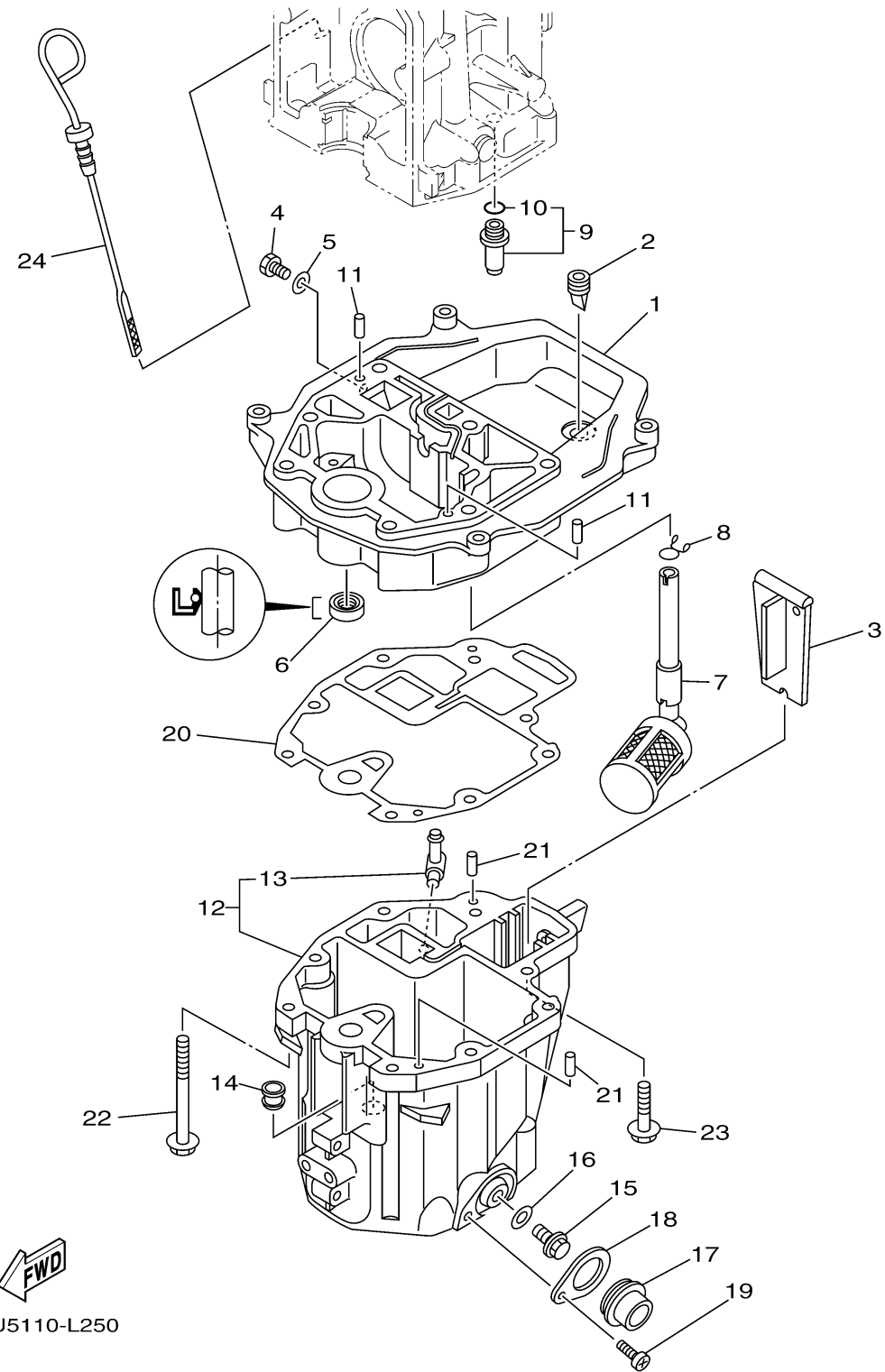


OIL PAN



Ref No.	Part Number	Description	Qty	Remarks
1	68T-41137-00-CA	GUIDE, EXHAUST	1	
2	65W-42717-00-00	RUBBER, SEAL 2	1	
3	68T-45181-00-00	PLATE	1	
4	97D95-08014-00	BOLT, HEXAGON DEEP RECESS	1	
5	90430-08143-00	GASKET	1	
6	93101-12M70-00	.OIL SEAL	1	
7	68T-13421-01-00	STRAINER 2	1	
8	90467-11M08-00	CLIP	1	
9	6G8-11575-00-00	RELIEF VALVE ASSY	1	
10	93210-12M62-00	.O-RING	1	
11	93606-19M23-00	PIN, DOWEL	2	
12	68T-15311-01-CA	OIL PAN	1	
13	6H1-11372-00-00	.NIPPLE, HOSE	1	
14	90480-10M28-00	GROMMET	1	
15	90340-10M10-00	PLUG, STRAIGHT SCREW	1	
16	90430-10M11-00	.GASKET	1	
17	68T-15316-00-00	DAMPER 1	1	
18	68T-15317-00-00	SPACER, ENGINE MOUNT	1	
19	97885-05008-00	SCREW, PAN HEAD	1	
20	68T-13475-00-00	.GASKET	1	

CONTINUED ON NEXT FRAME >

OIL PAN

Ref No.	Part Number	Description	Qty	Remarks
21	93604-12M07-00	PIN, DOWEL	2	
22	90119-08201-00	BOLT, WITH WASHER	6	
23	97E95-08530-00	BOLT, HEXAGON W/W DEEP RECESS	2	
24	68T-15362-00-00	PLUG, OIL LEVEL	1	

