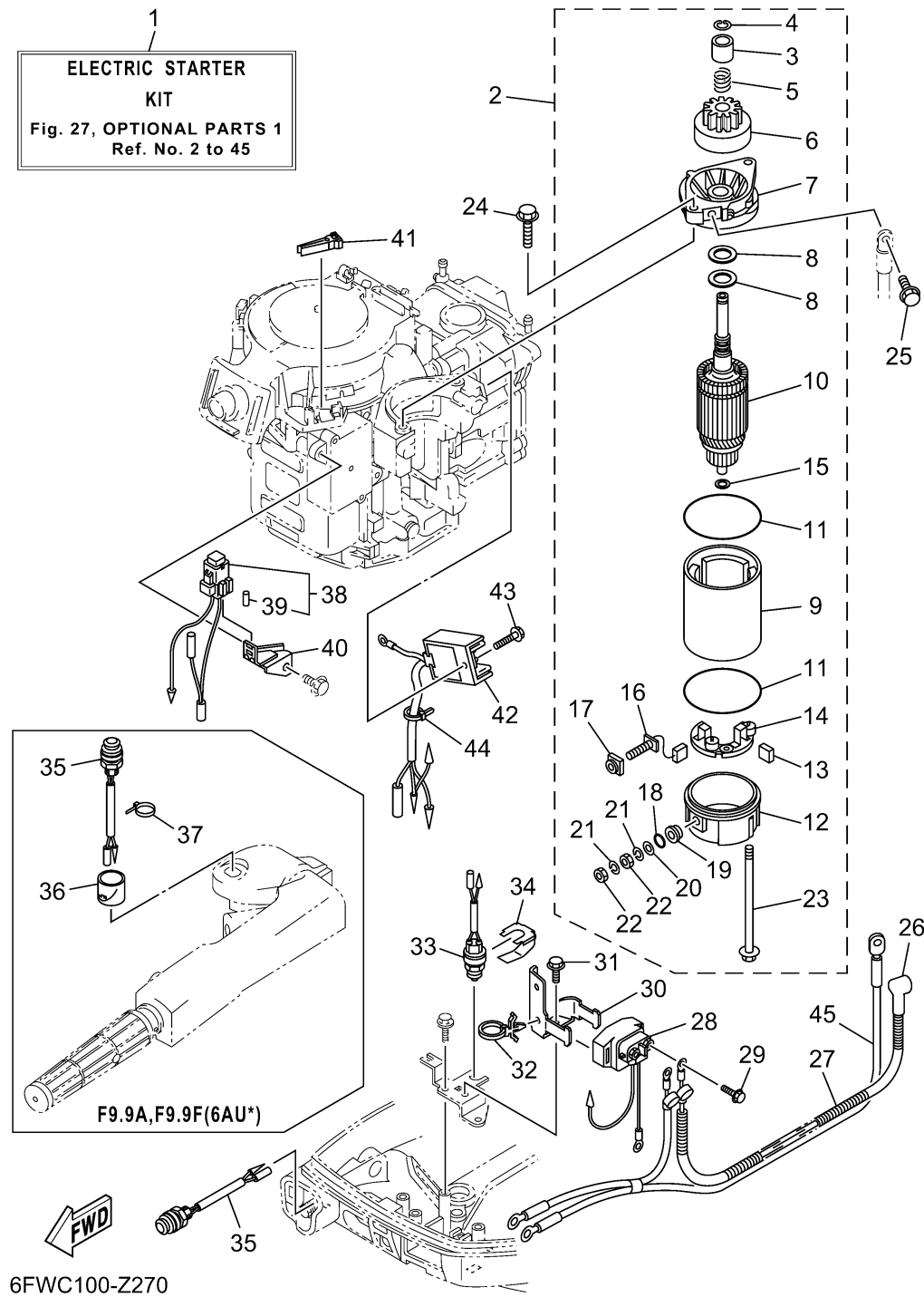


1
**ELECTRIC STARTER
KIT**
Fig. 27, OPTIONAL PARTS 1
Ref. No. 2 to 45

OPTIONAL PARTS 1

Ref No.	Part Number	Description	Qty	Remarks
1	6MC-W8180-12-00	ELECTRIC STARTER KIT	1	
2	68T-81800-10-00	STARTING MOTOR ASSY	1	
3	68T-81859-00-00	. .STOPPER, PINION	1	
4	689-81884-00-00	. .CLIP, PINION STOPPER	1	
5	689-81858-00-00	. .SPRING, RETURN	1	
6	689-81807-20-00	. .GEAR ASSY, STARTING MOTOR	1	
7	68T-81830-00-00	. .FRONT BRACKET ASSY	1	
8	689-81835-00-00	. .WASHER	2	UN
9	689-81810-20-00	. .STATOR ASSY	1	
10	689-81850-20-00	. .ARMATURE ASSY	1	
11	689-81847-20-00	. .O-RING	2	
12	689-81820-20-00	. .REAR BRACKET ASSY	1	
13	689-81812-20-00	. .BRUSH 2	1	
14	689-81840-20-00	. .BRUSH HOLDER ASSY	1	
15	689-81824-00-00	. .WASHER 2	1	
16	689-81811-20-00	. .BRUSH 1	1	
17	689-8182H-00-00	. .BUSH, TERMINAL 2	1	
18	689-8182L-00-00	. .O-RING 1	1	
19	689-8182G-00-00	. .BUSH, TERMINAL	1	
20	689-8182E-00-00	. .WASHER	1	

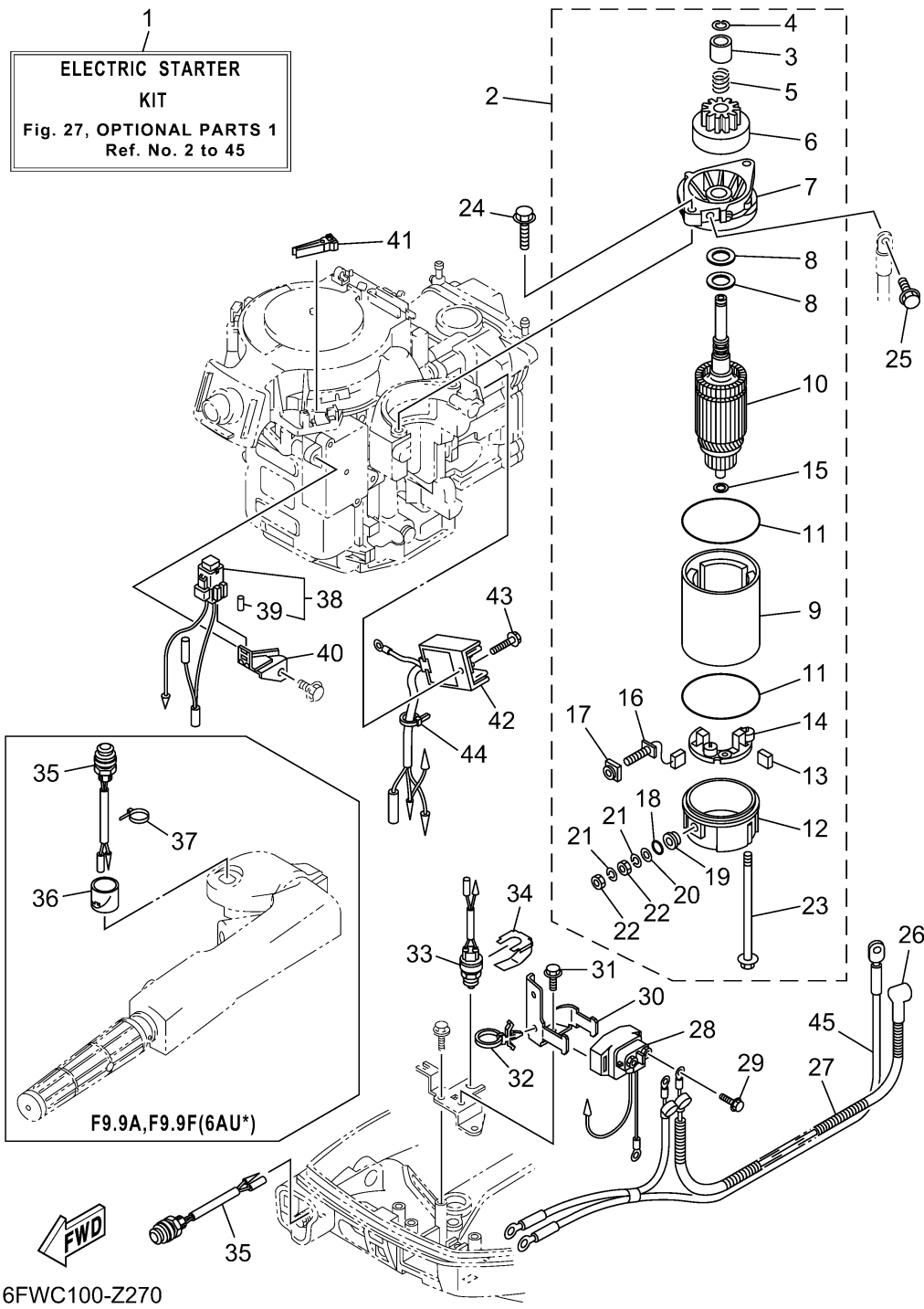
CONTINUED ON NEXT FRAME >



OPTIONAL PARTS 1

Ref No.	Part Number	Description	Qty	Remarks
21	689-8182F-00-00	..WASHER	2	
22	689-8182A-00-00	..NUT	2	
23	689-81826-20-00	..BOLT	2	
24	90119-08M76-00	BOLT, WITH WASHER	2	
25	97E95-08516-00	BOLT, HEXAGON W/W DEEP RECESS	1	
26	6G8-82117-01-00	WIRE, LEAD	1	
27	90446-10M86-00	HOSE (L140)	1	
28	68T-81940-00-00	STARTER RELAY ASSY	1	
29	97E95-06610-00	BOLT, HEXAGON W/W DEEP RECESS	2	
30	68T-81945-01-00	PLATE, SWITCH FITTING	1	
31	97E95-06512-00	BOLT, HEXAGON W/W DEEP RECESS	1	
32	90465-12M56-00	CLAMP	1	
33	6F5-82540-01-00	NEUTRAL SWITCH ASSY	1	
34	6DR-82555-00-00	DAMPER, MAIN SWITCH 1	1	
35	68T-81870-00-00	STARTING SWITCH ASSY	1	
36	68T-81821-00-00	COVER, SWITCH	1	
37	90465-11M10-00	CLAMP	1	
38	68T-82150-00-00	FUSE HOLDER ASSY	1	
39	66V-82151-00-00	..FUSE (10A-BL)	2	
40	68T-82171-01-00	STAY, FUSE BOX	1	

CONTINUED ON NEXT FRAME >



OPTIONAL PARTS 1

Ref No.	Part Number	Description	Qty	Remarks
41	67F-2812A-00-00	PULLER, FUSE	1	
42	68T-81960-00-00	RECTIFIER & REGULATOR ASSY	1	
43	97E95-06512-00	BOLT, HEXAGON W/W DEEP RECESS	1	
44	90465-11M10-00	CLAMP	2	
45	68T-82105-02-00	BATTERY CABLE (L: 2.1M)	1	