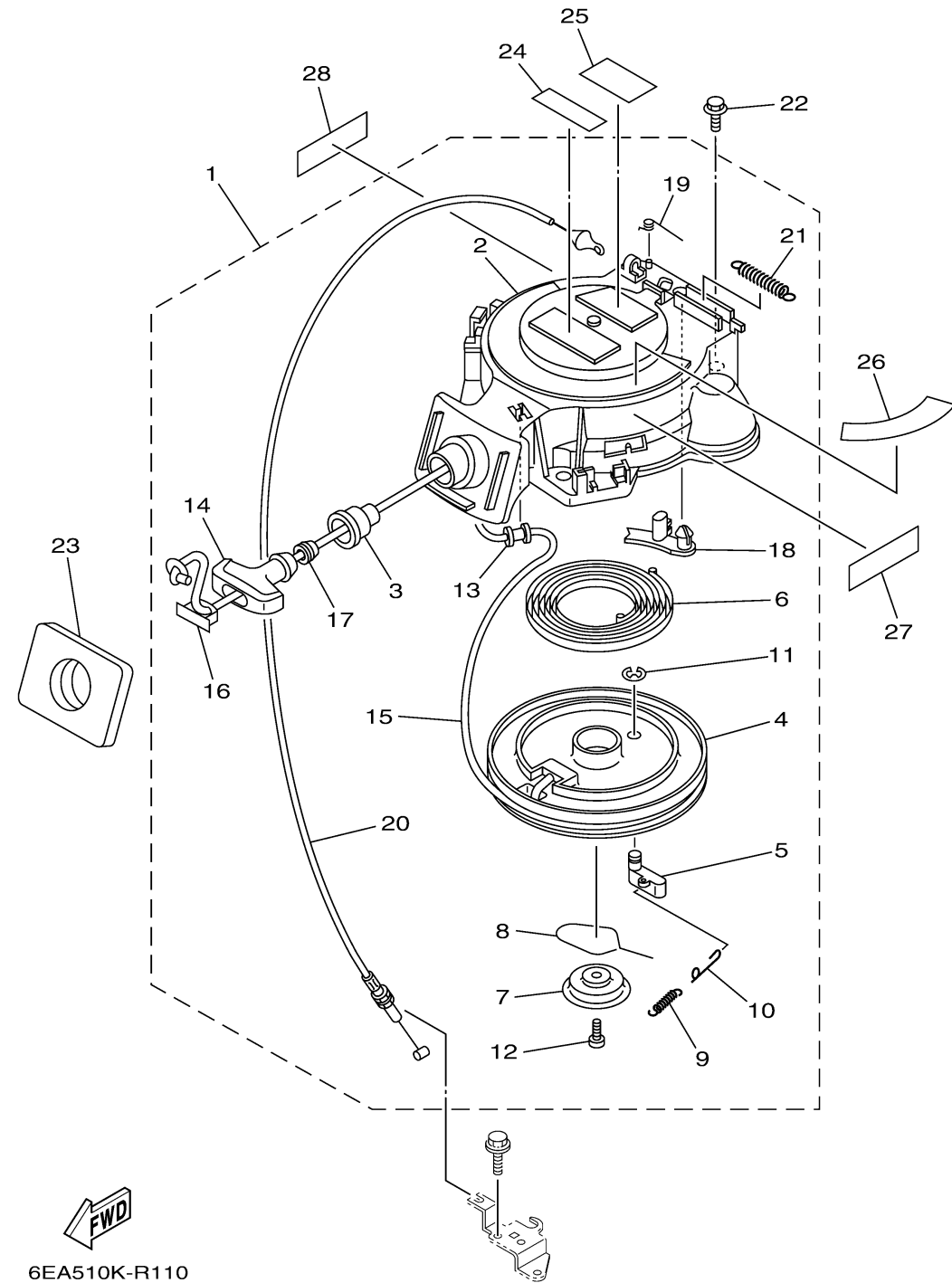


STARTER



6EA510K-R110

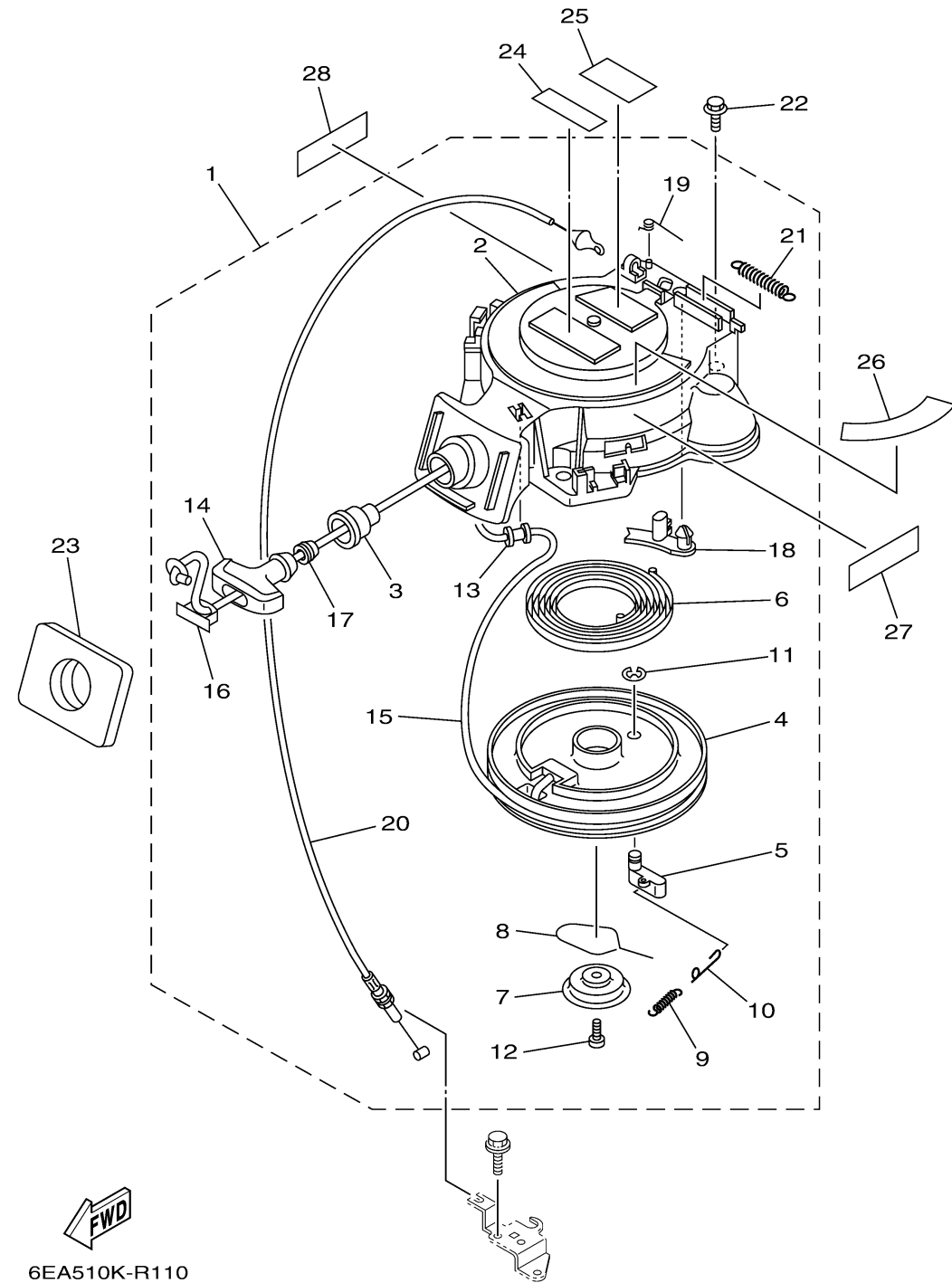
*1: CUT FROM 50M ROLLS, PART NO.90890-44373, CUTTING LENGTH 1.8M

Ref No.	Part Number	Description	Qty	Remarks
1	68T-15710-14-00	STARTER ASSY	1	
2	68T-15711-03-00	..CASE, STARTER	1	
3	68T-15795-00-00	..GUIDE, ROPE	1	
4	63V-15714-00-00	..DRUM, SHEAVE	1	
5	63V-15741-00-00	..PAWL, DRIVE	1	
6	63V-15713-00-00	..SPRING, STARTER	1	
7	68T-15716-00-00	..PLATE, DRIVE	1	
8	63V-15705-01-00	..SPRING, DRIVE PAWL	1	
9	63V-15767-01-00	..SPRING	1	
10	68T-15784-00-00	..SPRING, RETURN	1	
11	63V-15744-00-00	..CIRCLIP	1	
12	68T-15793-00-00	..SCREW	1	
13	68T-15764-00-00	..COLLAR 1	1	
14	6G1-15755-00-00	..HANDLE, STARTER	1	
15	90790-48193-00	.. ROPE,STARTER	1	*1- UNAVAILABLE, OBTAIN LOCALLY, CUT TO 1.8M
16	6G1-15779-00-00	..COVER	1	
17	6A0-15789-01-00	..DAMPER	1	
18	68T-15794-00-00	..STOPPER	1	
19	66T-15734-00-00	..SPRING, RETURN	1	
20	68T-15770-00-00	..CABLE COMP., STARTER STOP	1	

CONTINUED ON NEXT FRAME >

STARTER

Ref No.	Part Number	Description	Qty	Remarks
21	66T-15731-00-00	. .SPRING, RETURN	1	
22	97E95-06520-00	BOLT, HEXAGON W/W DEEP RECESS	3	
23	68T-15762-00-00	SEAL, RUBBER 2	1	
24	6EE-81995-41-00	LABEL, WARNING	1	
25	6EE-81995-51-00	LABEL, WARNING	1	
26	68T-85711-60-00	MARK, CAUTION	1	
27	6EE-81994-41-00	LABEL, SAFETY	1	
28	6EE-81994-51-00	LABEL, SAFETY	1	



*1: CUT FROM 50M ROLLS, PART NO.90890-44373, CUTTING LENGTH 1.8M