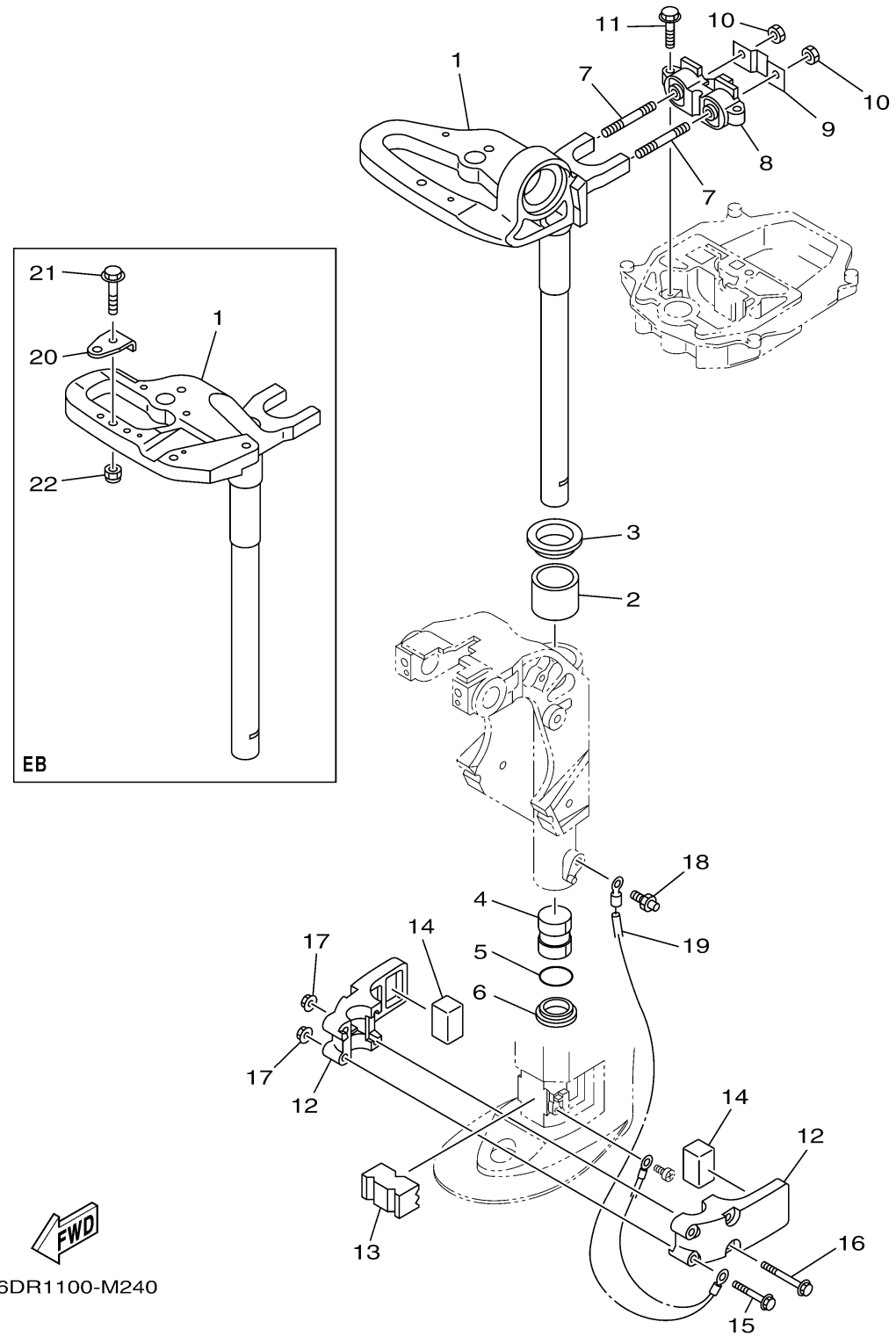


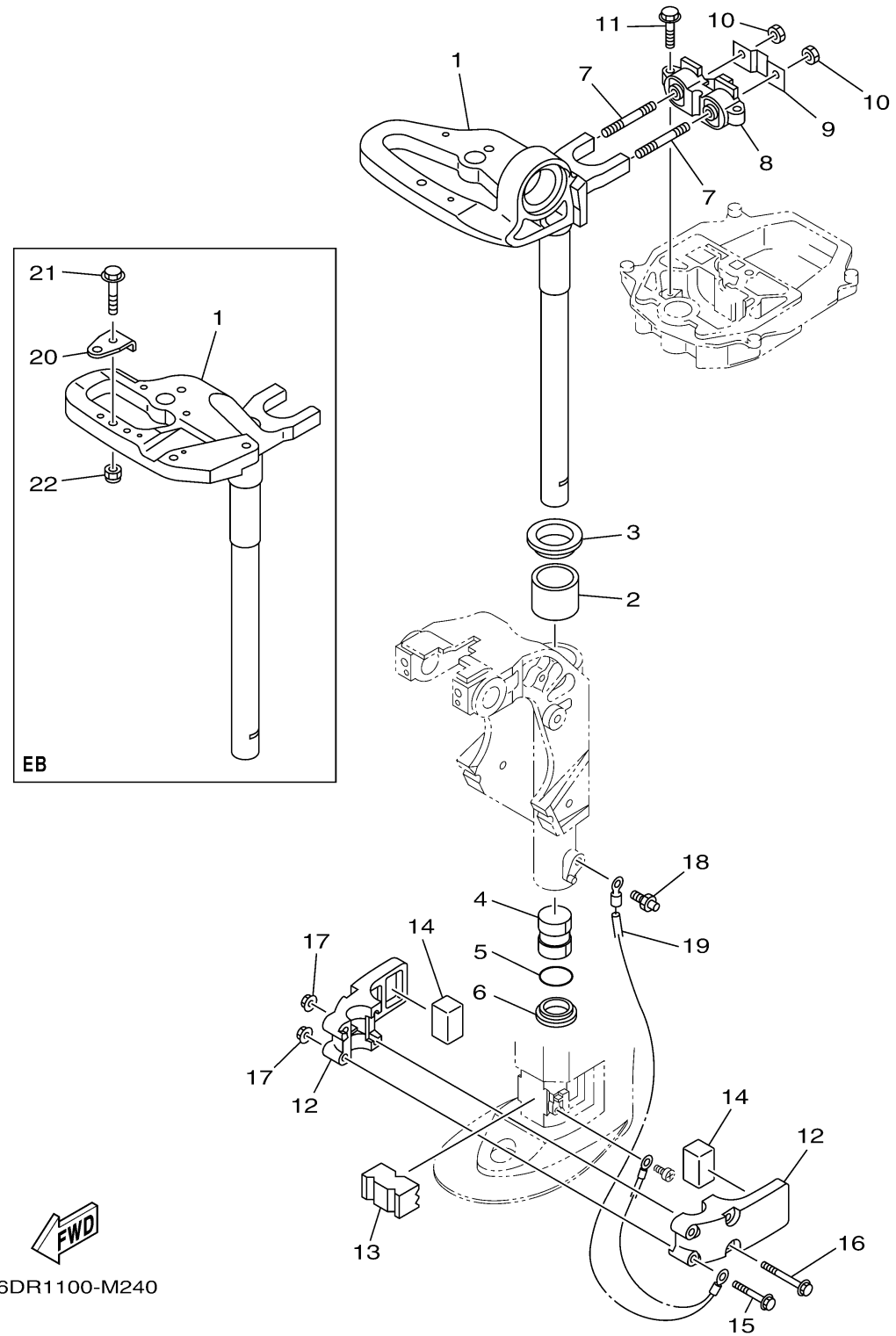
BRACKET 2



Ref No.	Part Number	Description	Qty	Remarks
1	6DR-42511-00-8D	BRACKET, STEERING	1	GRAY, S(17.0")
1	6DR-42511-10-8D	BRACKET, STEERING	0	GRAY, L(22.0")
1	6AU-42511-10-8D	BRACKET, STEERING	0	GRAY, L(22.0")
1	6DR-42511-00-CE	BRACKET, STEERING	0	WHITE, S(17.0")
2	90386-40001-00	BUSH	1	
3	90209-40008-00	WASHER	1	
4	90386-30048-00	BUSH	1	
5	93210-29M94-00	O-RING	1	
6	90386-30M60-00	BUSH	1	
7	90116-08M54-00	BOLT, STUD	2	
8	68T-44517-00-00	MOUNT RUBBER	1	
9	68T-44526-00-00	PLATE	1	
10	95380-08600-00	NUT	2	
11	97E75-06525-00	BOLT, HEXAGON W/W DEEP RECESS	2	
12	6AU-44551-00-CE	HOUSING, LOWER MOUNT RUBBER 1	0	WHITE
12	6AU-44551-00-8D	HOUSING, LOWER MOUNT RUBBER 1	2	GRAY
13	6AU-44557-01-00	MOUNT DAMPER, LOWER FRONT	1	
14	682-44555-30-00	MOUNT DAMPER, LOWER SIDE	2	
15	90119-06012-00	BOLT, WITH WASHER	2	
16	90119-06198-00	BOLT, WITH WASHER	2	

CONTINUED ON NEXT FRAME >

BRACKET 2



Ref No.	Part Number	Description	Qty	Remarks
17	90179-06M28-00	NUT	4	
18	93700-06004-00	NIPPLE, GREASE	1	
19	68T-82127-00-00	WIRE, LEAD 2	1	
20	63V-48511-01-00	HOOK, STEERING	0	
21	97E95-08535-00	BOLT, HEXAGON W/W DEEP RECESS	0	
22	90185-08057-00	NUT, SELF-LOCKING	0	