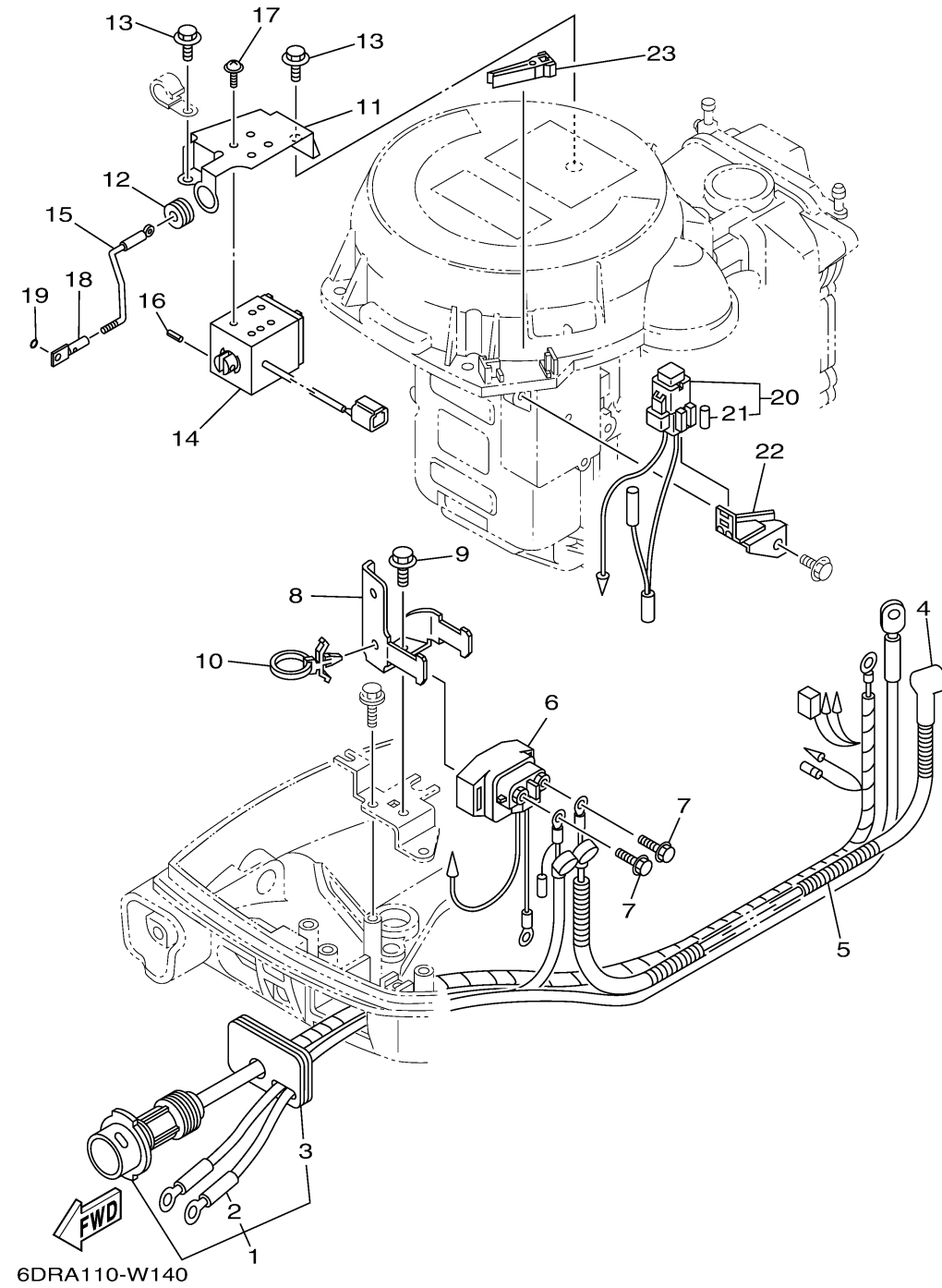


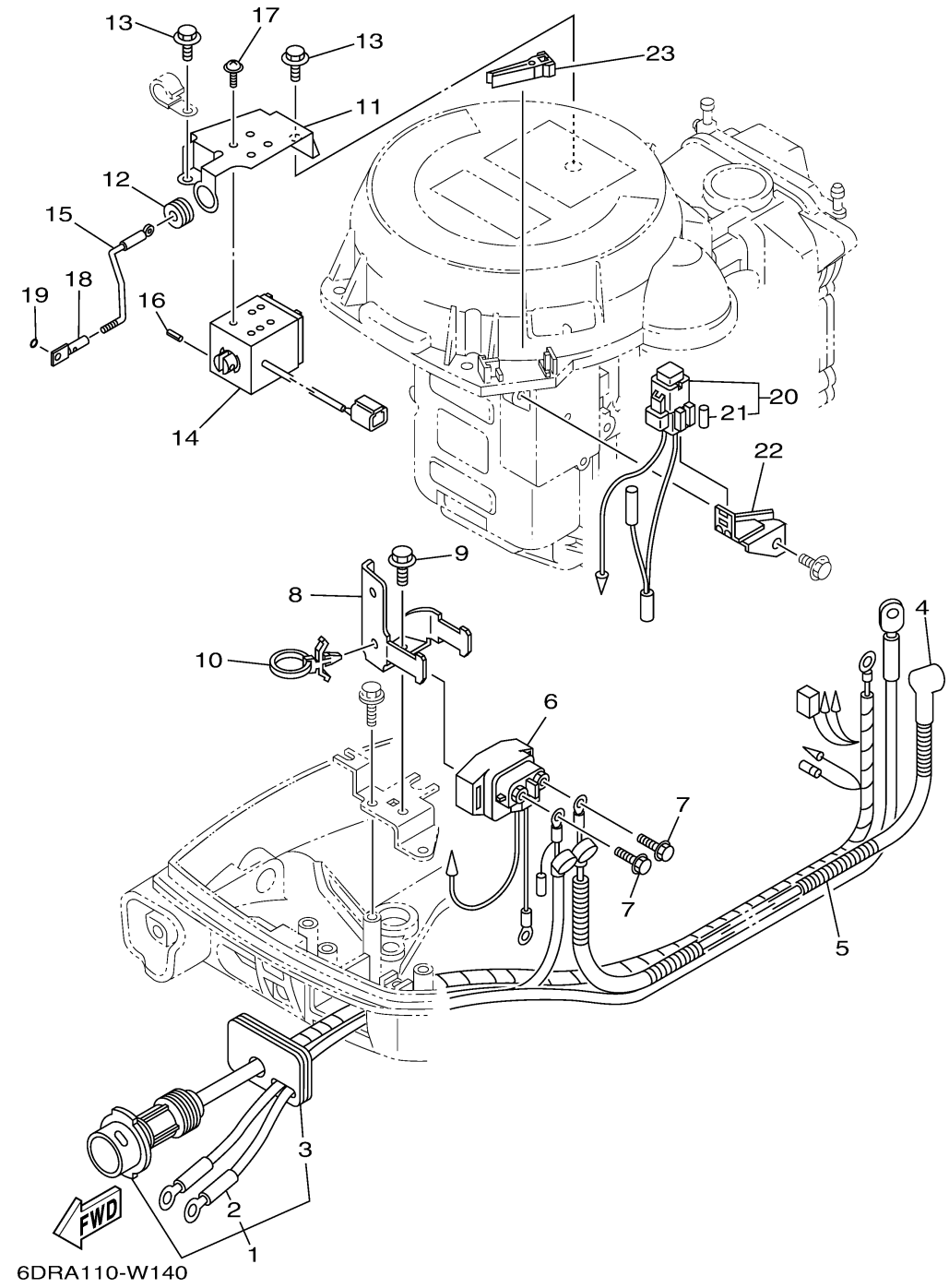
## ELECTRICAL 2



Ref No.	Part Number	Description	Qty	Remarks
1	69G-82580-02-00	WIRE HARNESS ASSY 2	0	
2	69G-82105-02-00	. .BATTERY CABLE (L: 3.0M)	0	
3	68T-42724-40-00	. .GROMMET	0	
4	6G8-82117-01-00	WIRE, LEAD	0	
5	90446-10M86-00	HOSE (L140)	0	
6	68T-81940-00-00	STARTER RELAY ASSY	0	
7	97E95-06610-00	BOLT, HEXAGON W/W DEEP RECESS	0	
8	68T-81945-01-00	PLATE, SWITCH FITTING	0	
9	97E95-06512-00	BOLT, HEXAGON W/W DEEP RECESS	0	
10	90465-12M56-00	CLAMP	0	
11	68T-86112-00-00	STAY, SOLENOID	0	
12	90480-13018-00	GROMMET	0	
13	97E95-06512-00	BOLT, HEXAGON W/W DEEP RECESS	0	
14	68T-86111-00-00	COIL, SOLENOID	0	
15	68T-41237-00-00	JOINT, LINK	0	
16	91690-30010-00	PIN, SPRING	0	
17	97980-04208-00	SCREW, WITH WASHER	0	
18	68T-86117-00-00	HOOK, WIRE PULL	0	
19	93210-03261-00	O-RING	0	
20	68T-82150-00-00	FUSE HOLDER ASSY	0	

CONTINUED ON NEXT FRAME >

## ELECTRICAL 2



Ref No.	Part Number	Description	Qty	Remarks
21	66V-82151-00-00	. .FUSE (10A-BL)	0	
22	68T-82171-01-00	STAY, FUSE BOX	0	
23	67F-2812A-00-00	PULLER, FUSE	0	