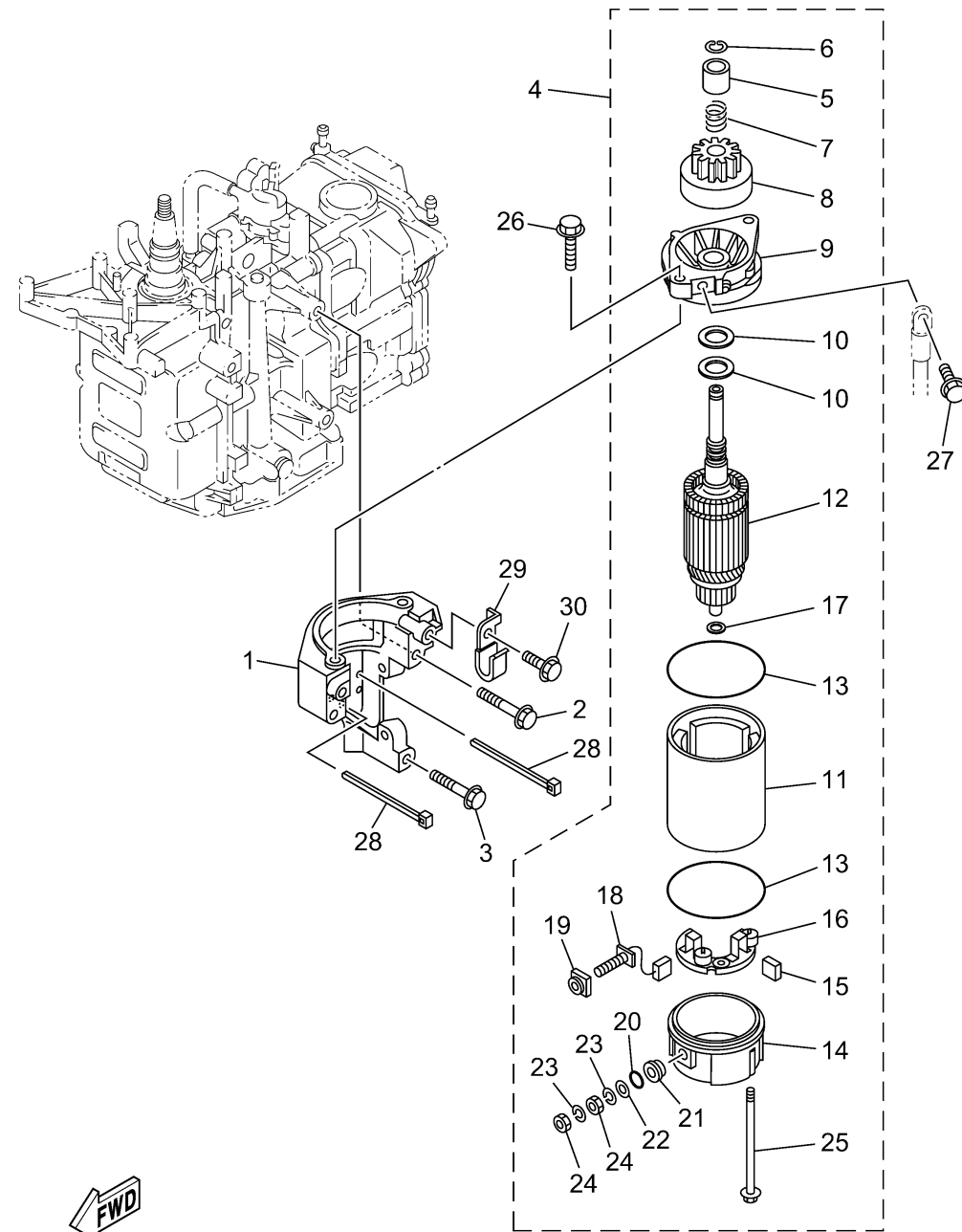


STARTING MOTOR



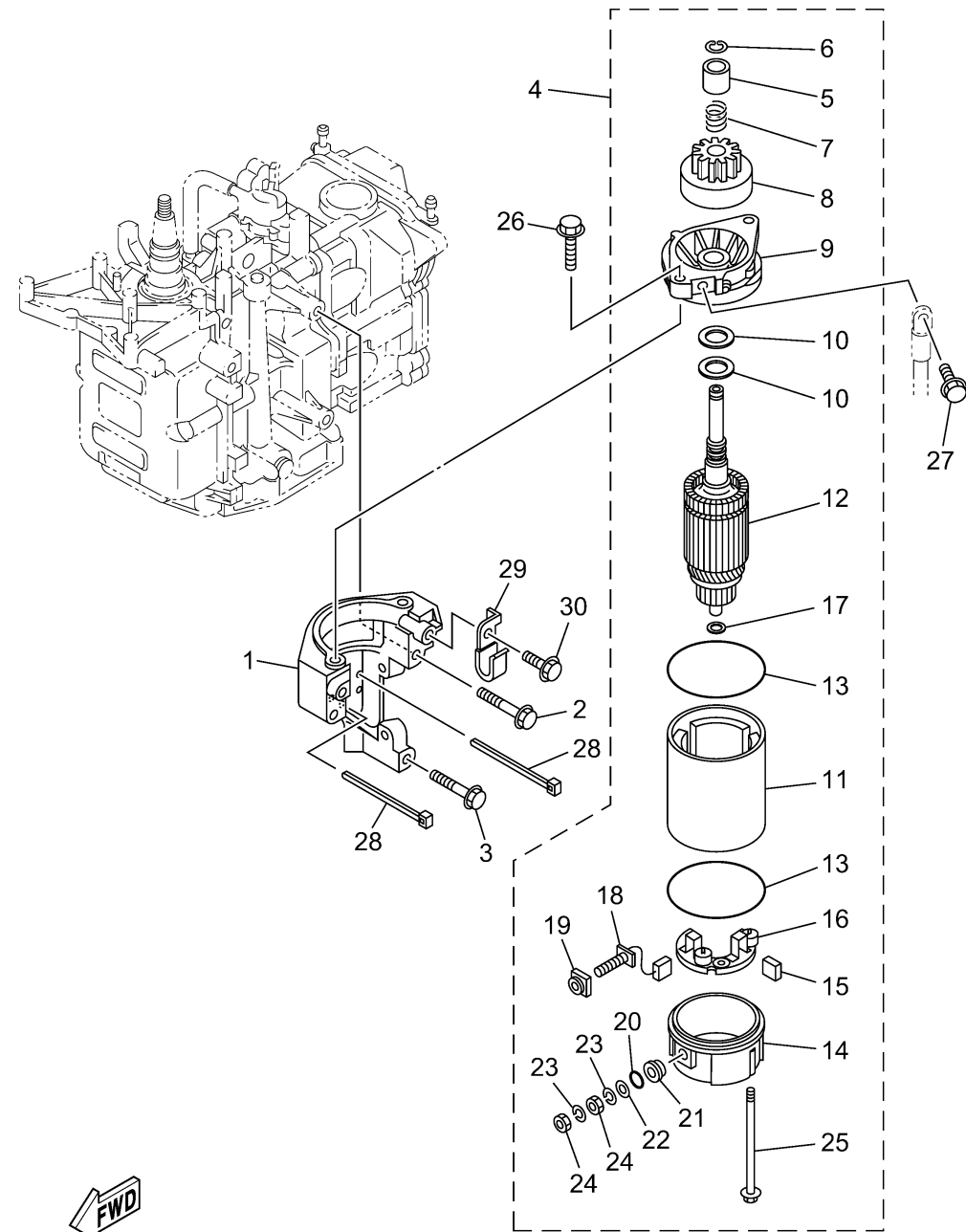
Ref No.	Part Number	Description	Qty	Remarks
1	68T-81822-01-00	BRACKET, STARTING MOTOR	1	
2	90119-08046-00	BOLT, WITH WASHER	2	
3	90119-08020-00	BOLT, WITH WASHER	1	
4	68T-81800-10-00	STARTING MOTOR ASSY	0	
5	68T-81859-00-00	..STOPPER, PINION	0	
6	689-81884-00-00	..CLIP,PINION STOPPER	0	
7	689-81858-00-00	..SPRING, RETURN	0	
8	689-81807-20-00	..GEAR ASSY, STARTING MOTOR	0	
9	68T-81830-00-00	..FRONT BRACKET ASSY	0	
10	689-81835-00-00	..WASHER	0	UN
11	689-81810-20-00	..STATOR ASSY	0	
12	689-81850-20-00	..ARMATURE ASSY	0	
13	689-81847-20-00	..O-RING	0	
14	689-81820-20-00	..REAR BRACKET ASSY	0	
15	689-81812-20-00	..BRUSH 2	0	
16	689-81840-20-00	..BRUSH HOLDER ASSY	0	
17	689-81824-00-00	..WASHER 2	0	
18	689-81811-20-00	..BRUSH 1	0	
19	689-8182H-00-00	..BUSH, TERMINAL 2	0	
20	689-8182L-00-00	..O-RING 1	0	

CONTINUED ON NEXT FRAME >



6DRE100-Z170

STARTING MOTOR



6DRE100-Z170

Ref No.	Part Number	Description	Qty	Remarks
21	689-8182G-00-00	. .BUSH, TERMINAL	0	
22	689-8182E-00-00	. .WASHER	0	
23	689-8182F-00-00	. .WASHER	0	
24	689-8182A-00-00	. .NUT	0	
25	689-81826-20-00	. .BOLT	0	
26	90119-08M76-00	BOLT, WITH WASHER	0	
27	97E95-08516-00	BOLT, HEXAGON W/W DEEP RECESS	0	
28	90465-11M10-00	CLAMP	0	
29	90465-08M99-00	CLAMP	1	
30	97E95-06512-00	BOLT, HEXAGON W/W DEEP RECESS	1	