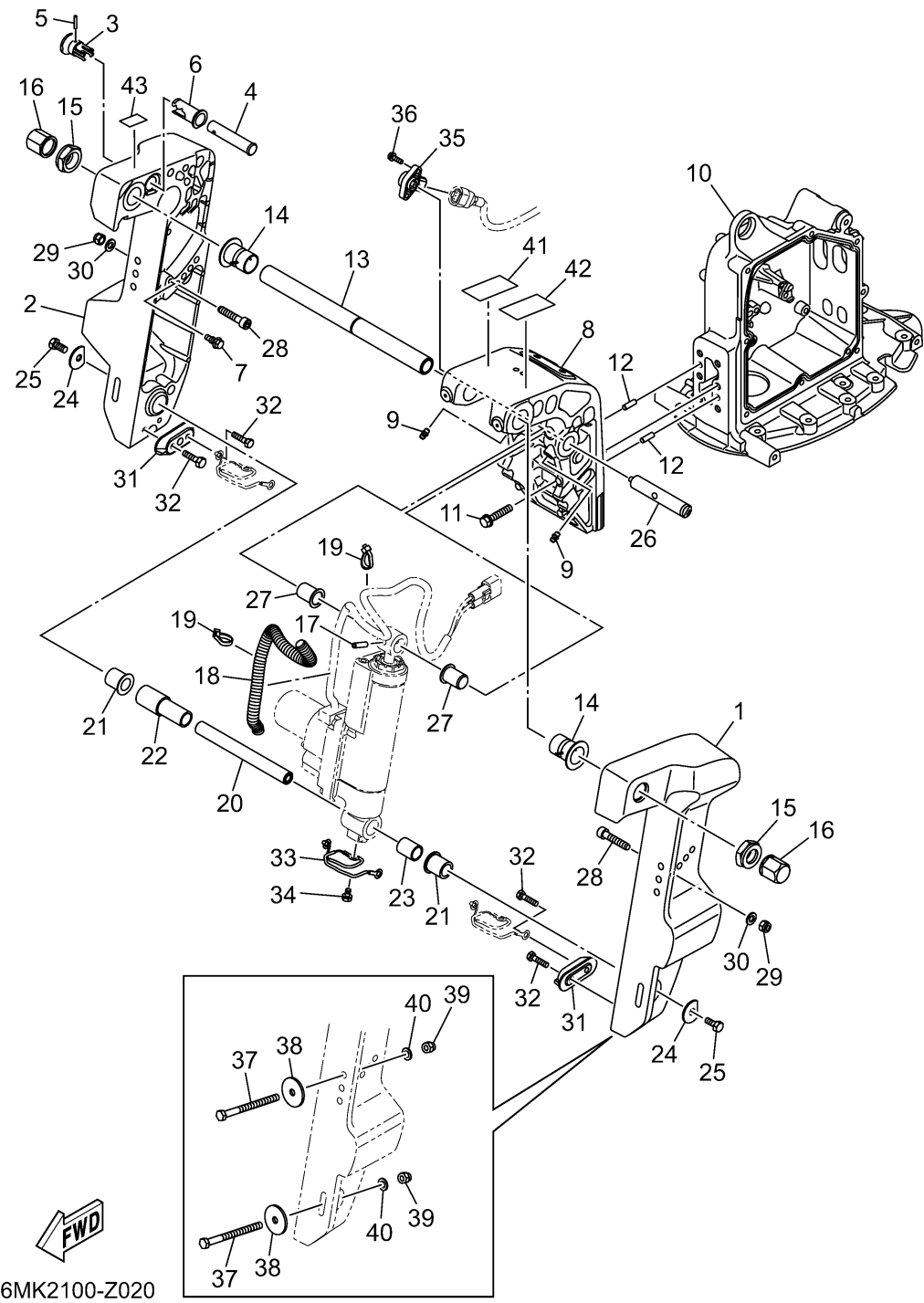


# BRACKET 1

Ref No.	Part Number	Description	Qty	Remarks
1	6MK-43111-00-8D	BRACKET, CLAMP 1	1	
2	6MK-43112-00-8D	BRACKET, CLAMP 2	1	
3	6FM-43192-00-00	KNOB, STOPPER	1	
4	6MK-43191-00-00	SHAFT, STOPPER	1	
5	91690-30018-00	PIN, SPRING	1	
6	6FM-43189-00-00	BUSHING	1	
7	90109-06MA1-00	BOLT	1	
8	6MK-43311-00-8D	BRACKET, SWIVEL 1	1	
9	93700-06002-00	NIPPLE, GREASE	2	
10	6MK-43312-00-00	BRACKET, SWIVEL 2	1	
11	90119-08176-00	BOLT, WITH WASHER	6	
12	93606-19M23-00	PIN, DOWEL	2	
13	6MK-43131-00-00	BOLT, CLAMP BRACKET	1	
14	90386-22MA4-00	BUSH	2	
15	90185-22M11-00	NUT, SELF-LOCKING	2	
16	6G5-43145-01-00	CAP, CLAMP BRACKET	2	
17	91690-60022-00	PIN, SPRING	1	
18	90447-10011-00	TUBE	1	
19	90464-35132-00	CLAMP	2	
20	6MK-43818-00-00	PIN, LOWER SHOCK MOUNT	1	

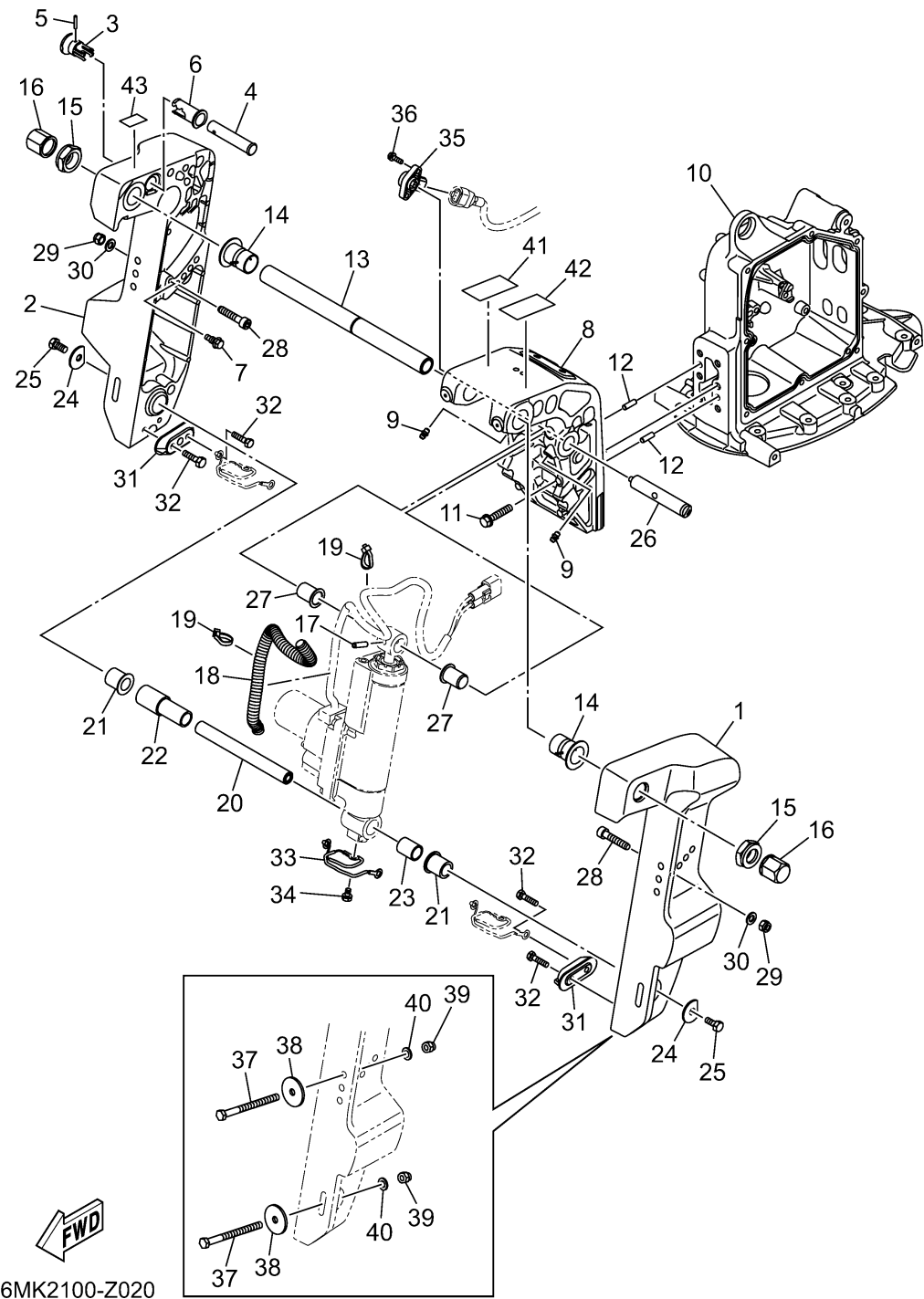
CONTINUED ON NEXT FRAME >



# BRACKET 1

Ref No.	Part Number	Description	Qty	Remarks
21	90386-16MA7-00	BUSH	2	
22	90386-16003-00	BUSH	1	
23	90387-16003-00	COLLAR	1	
24	90209-08014-00	WASHER	2	
25	97080-08016-00	BOLT	2	
26	6MK-43126-00-00	PIN, UPPER SHOCK MOUNT	1	
27	90387-16037-00	COLLAR	2	
28	90110-08121-00	BOLT, HEXAGON SOCKET HEAD	2	
29	95380-08600-00	NUT	2	
30	92990-08600-00	..WASHER, PLATE	2	
31	65W-45251-00-00	.ANODE	2	
32	90101-06020-00	.BOLT	4	
33	63V-82127-00-00	WIRE, LEAD 2	1	
34	97E95-06510-00	BOLT, HEXAGON W/W DEEP RECESS	1	
35	6GR-85887-00-00	SENSOR, ANGLE	1	
36	97595-05516-00	BOLT, WITH WASHER	2	
37	90101-08M88-00	BOLT	4	
38	90201-08MA4-00	WASHER, PLATE	4	
39	90185-08057-00	NUT, SELF-LOCKING	4	
40	92990-08600-00	..WASHER, PLATE	4	

CONTINUED ON NEXT FRAME >



# BRACKET 1

Ref No.	Part Number	Description	Qty	Remarks
41	6MK-42794-11-00	LABEL, WARNING (GENERAL)	1	
42	6MK-42794-21-00	LABEL, WARNING (GENERAL)	1	
43	6AH-81996-01-00	MARK	1	