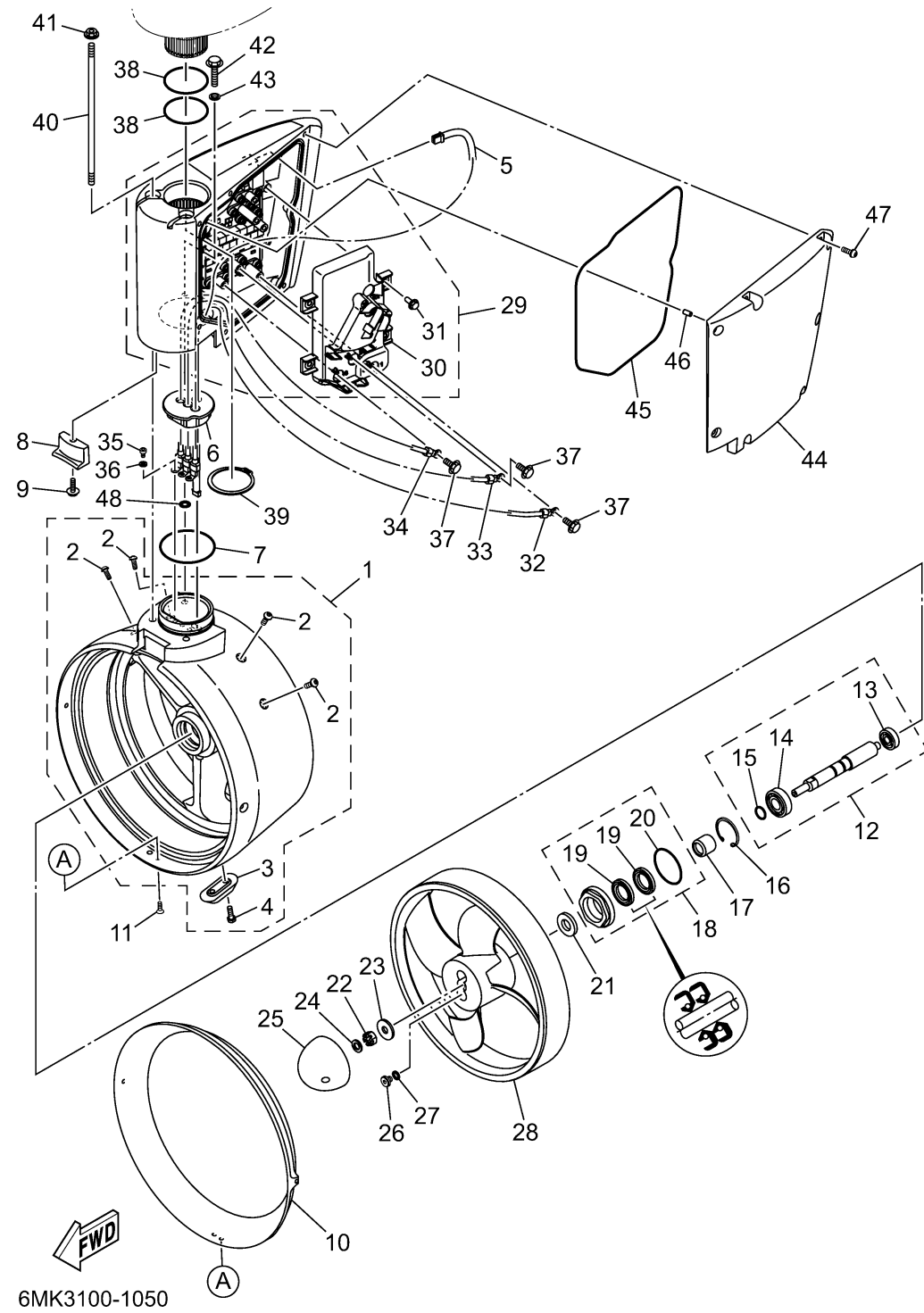


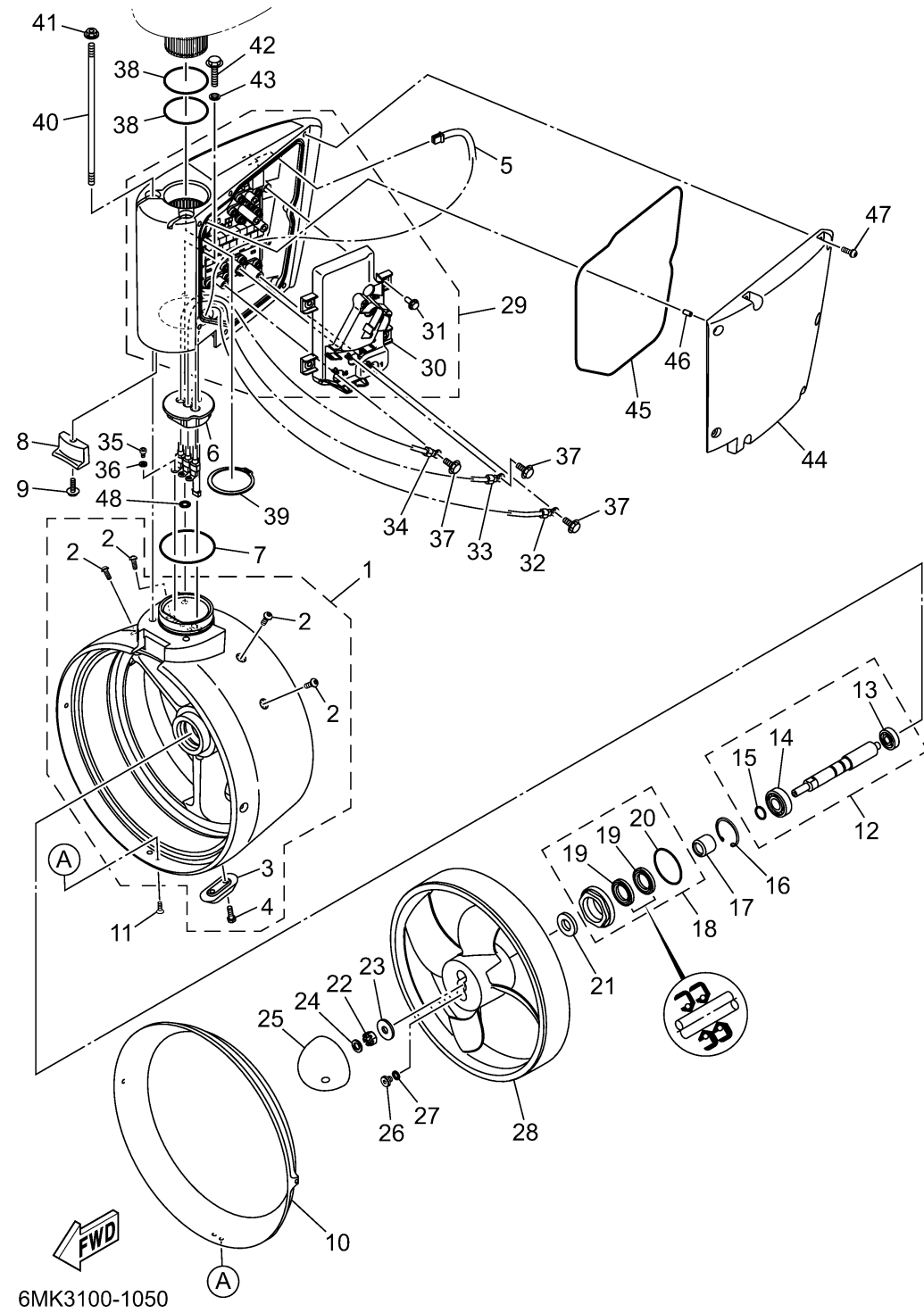
# DRIVE UNIT



Ref No.	Part Number	Description	Qty	Remarks
1	6MK-W1269-01-8D	DUCT ASSY	1	
2	90111-06115-00	..BOLT, HEXAGON SOCKET BUTTON	4	
3	65W-45251-00-00	..ANODE	1	
4	90101-06020-00	..BOLT	2	
5	6MK-8259L-00-00	WIRE HARNESS ASSY 1	1	
6	6MK-81364-00-00	GROMMET	1	
7	93210-69MG6-00	..O-RING	1	
8	6MK-12691-00-8D	DUCT 1	1	
9	90110-06038-00	BOLT, HEXAGON SOCKET HEAD	1	
10	6MK-12692-00-8D	DUCT, 2	1	
11	90152-05015-00	SCREW, COUNTERSUNK	3	
12	6MK-Y456A-00-00	PROPELLER SHAFT ASSY	1	
13	93306-20004-00	..BEARING	1	
14	93306-20301-00	..BEARING	1	
15	93210-14167-00	..O-RING	1	
16	93420-40094-00	CIRCLIP	1	
17	6JM-45651-00-00	COLOR, PROPELLER SHAFT	1	
18	6MK-Y456B-00-00	CAP ASSY	1	
19	93101-25M28-00	..OIL SEAL	2	
20	93210-49046-00	..O-RING	1	

CONTINUED ON NEXT FRAME >

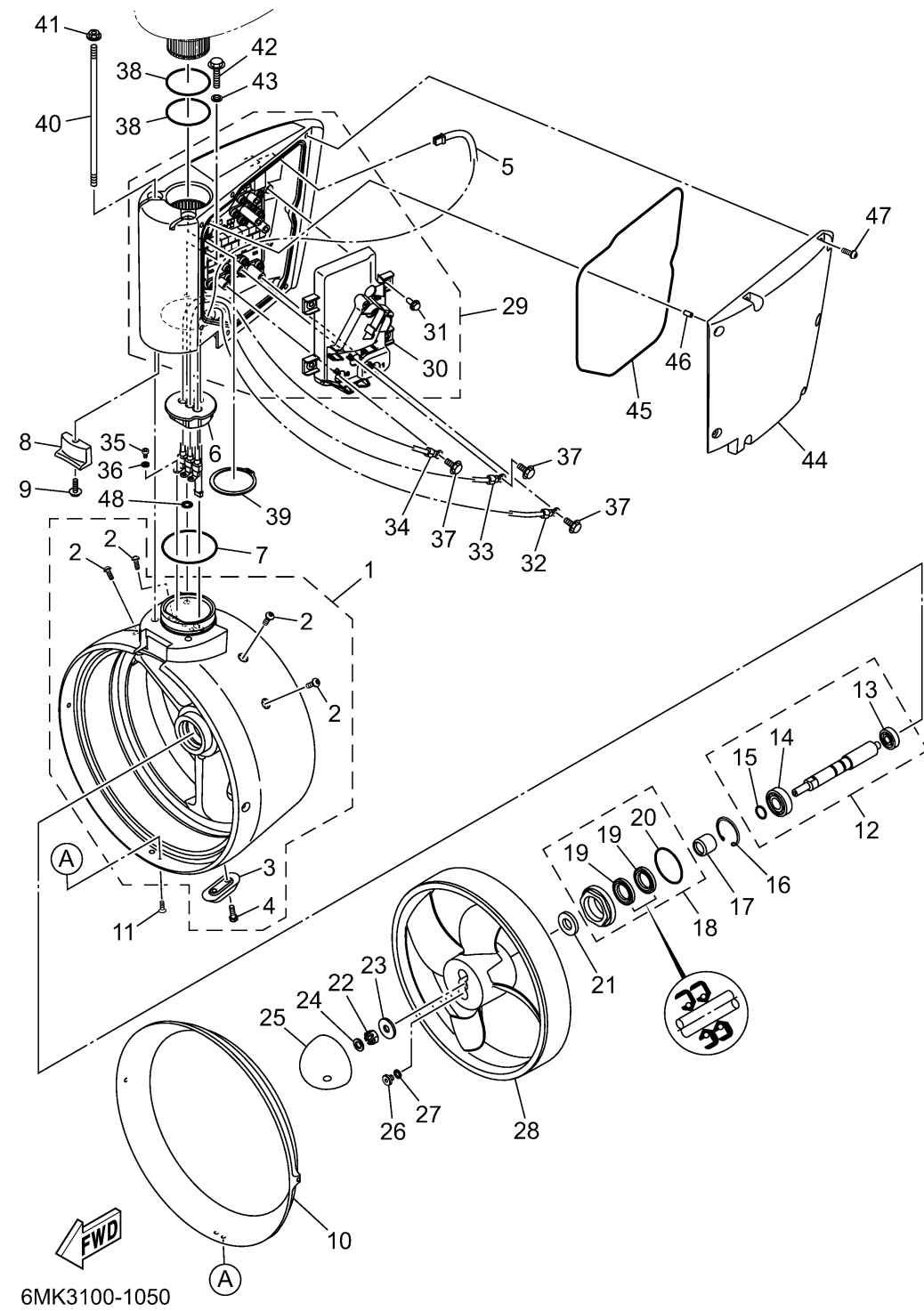
# DRIVE UNIT



Ref No.	Part Number	Description	Qty	Remarks
21	90201-17M00-00	WASHER, PLATE	1	
22	90171-10M01-00	NUT, CASTLE	1	
23	90201-10085-00	WASHER, PLATE	1	
24	92995-10600-00	WASHER	1	
25	6MK-45985-00-8D	CAP, PROPELLER	1	
26	90340-08003-00	PLUG, STRAIGHT SCREW	2	
27	90430-08003-00	.GASKET	2	
28	6MK-44390-00-8D	IMPELLER COMP.	1	
29	6MK-W4771-00-8D	HOUSING ASSY	1	
30	6MK-85599-00-00	.COVER	1	
31	90119-05071-00	.BOLT, WITH WASHER	4	
32	6MK-82213-00-00	WIRE, HIGH VOLTAGE LEAD 3	1	
33	6MK-82213-10-00	WIRE, HIGH VOLTAGE LEAD 3	1	
34	6MK-82213-20-00	WIRE, HIGH VOLTAGE LEAD 3	1	
35	91380-05010-00	BOLT, HEX.SOCKET HEAD	3	
36	92990-05600-00	WASHER, PLAIN	3	
37	95D95-06016-00	BOLT, FLANGE DEEP RECESS	3	
38	93210-55M14-00	O-RING	2	
39	93410-60100-00	CIRCLIP	1	
40	90116-08092-00	BOLT, STUD	2	

CONTINUED ON NEXT FRAME >

# DRIVE UNIT



Ref No.	Part Number	Description	Qty	Remarks
41	90179-08M34-00	NUT	2	
42	95D75-08035-00	BOLT, FLANGE DEEP RECESS	1	
43	90210-08017-00	WASHER, SEAL	1	
44	6MK-47721-00-8D	COVER, HOUSING	1	
45	6MK-42414-00-00	O-RING	1	
46	93606-12019-00	PIN, DOWEL	1	
47	90111-06203-00	BOLT, HEXAGON SOCKET BUTTON	7	
48	92990-08400-00	WASHER	1	