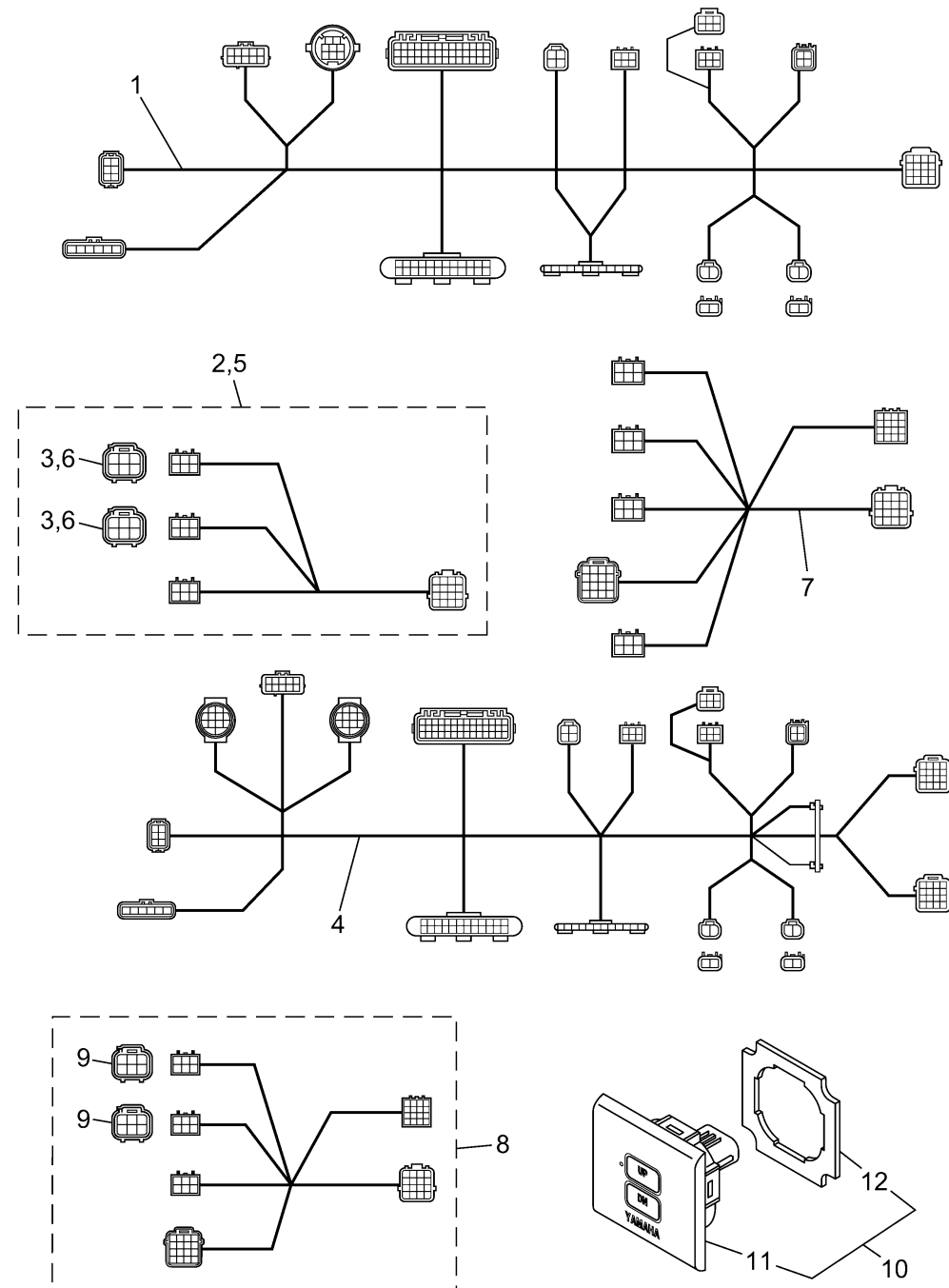


OPTIONAL PARTS 1

Ref No.	Part Number	Description	Qty	Remarks
1	6MK-82580-00-00	WIRE HARNESS ASSY 2	1	SINGLE MOTOR
2	6MK-8259N-00-00	WIRE HARNESS ASSY 3	1	SINGLE MOTOR
3	6Y8-85371-01-00	. .END OF LINE RESISTOR	2	
4	6MK-82580-10-00	WIRE HARNESS ASSY 2	1	TWIN MOTOR
5	6MK-8259N-00-00	WIRE HARNESS ASSY 3	2	TWIN MOTOR
6	6Y8-85371-01-00	. .END OF LINE RESISTOR	2	
7	6MK-8259N-40-00	WIRE HARNESS ASSY 3	1	TWIN MOTOR
8	6MK-8259N-30-00	WIRE HARNESS ASSY 3	1	
9	6Y8-85371-01-00	. .END OF LINE RESISTOR	2	
10	6MK-82570-00-00	PANEL SWITCH ASSY	1	FOR JOYSTICK
11	6X9-82571-01-00	. .PANEL, SWITCH	1	
12	6X9-22480-00-00	. .SEAL ASSY	1	



6MK2100-Z160