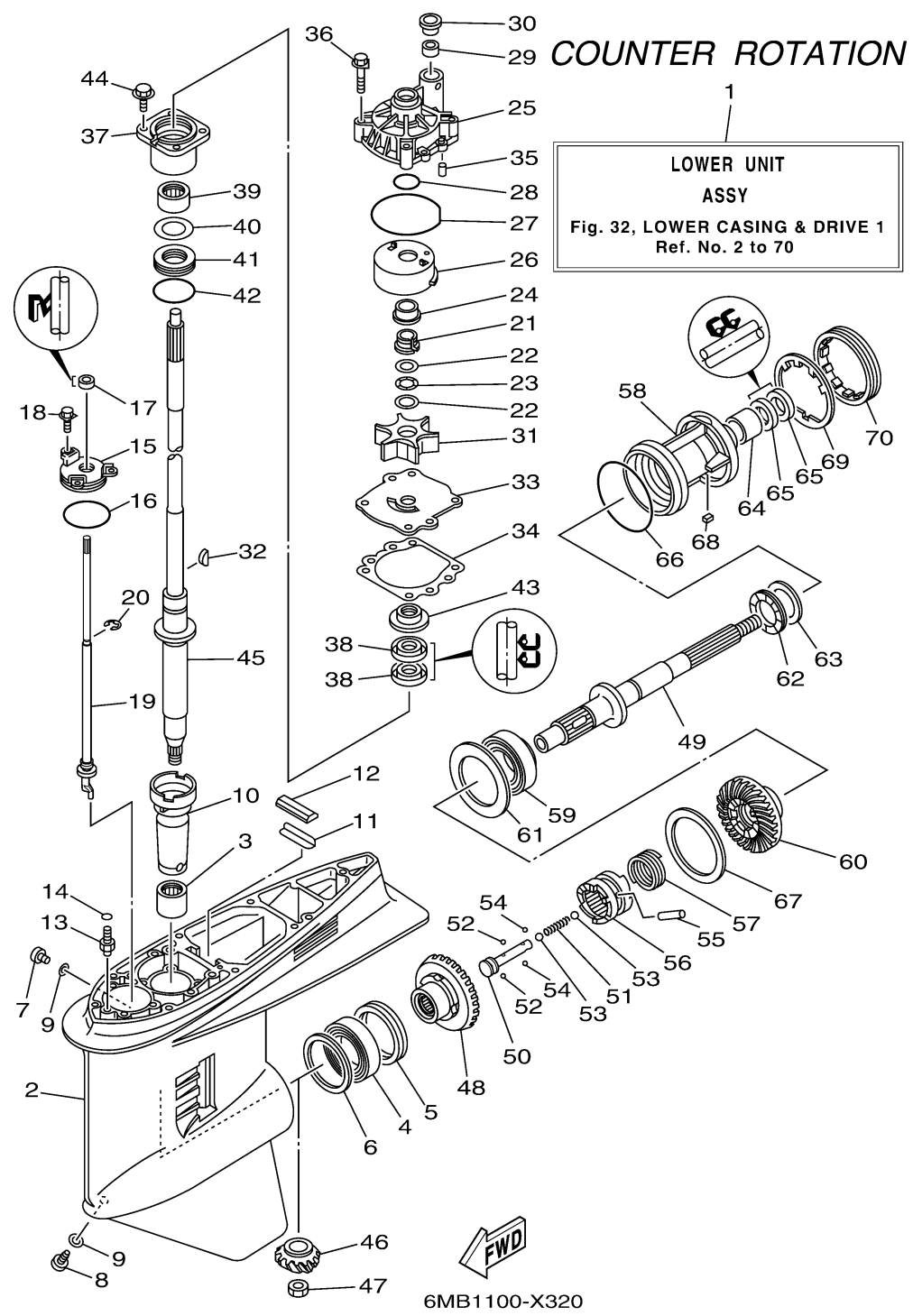


LOWER CASING DRIVE 3

Ref No.	Part Number	Description	Qty	Remarks
1	64P-45300-17-CJ	LOWER UNIT ASSY	0	WARM WHITE, X(25.2"), LH
1	64P-45300-07-8D	LOWER UNIT ASSY	1	GRAY, L(20.3"), LH
1	64P-45300-07-CE	LOWER UNIT ASSY	0	WHITE, L(20.3"), LH
1	64P-45300-17-8D	LOWER UNIT ASSY	0	GRAY, X(25.2"), LH
1	64P-45300-17-CE	LOWER UNIT ASSY	0	WHITE, X(25.2"), LH
2	6J9-45301-07-CJ	CASING, LOWER	0	WARM WHITE
2	6J9-45301-07-CE	CASING, LOWER	0	WHITE
2	6J9-45301-07-8D	CASING, LOWER	1	GRAY
3	93311-928U5-00	BEARING	1	
4	93390-000U2-00	BEARING	1	
5	93341-465U4-00	BEARING	1	
6	6G5-45567-01-00	SHIM (T:0.10MM)	1	UR
6	6G5-45567-10-00	SHIM (T:0.12MM)	1	UR
6	6G5-45567-20-00	SHIM (T:0.15MM)	1	UR
6	6G5-45567-30-00	SHIM (T:0.18MM)	1	UR
6	6G5-45567-40-00	SHIM (T:0.30MM)	1	UR
6	6G5-45567-50-00	SHIM (T:0.40MM)	1	UR
6	6G5-45567-60-00	SHIM (T:0.50MM)	1	UR
7	90340-08002-00	PLUG, STRAIGHT SCREW	1	
8	688-45341-10-00	PLUG, DRAIN	1	

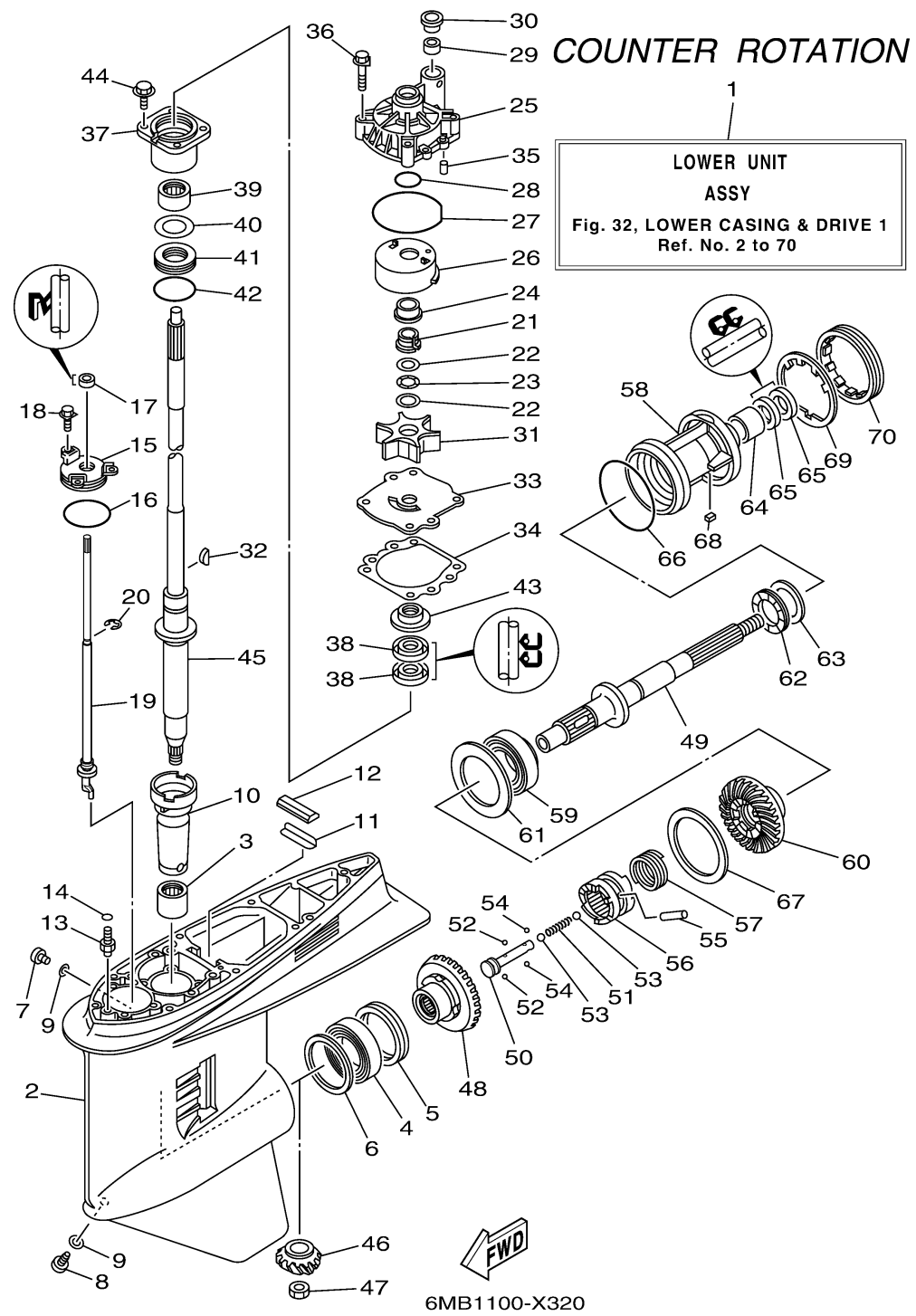
CONTINUED ON NEXT FRAME >



LOWER CASING DRIVE 3

Ref No.	Part Number	Description	Qty	Remarks
9	90430-08003-00	.GASKET	2	
10	6G5-45536-01-00	SLEEVE, DRIVE SHAFT	1	
11	663-45376-00-00	GUIDE, SEAL DAMPER	1	
12	688-45375-00-00	DAMPER, SEAL	1	
13	63P-45378-00-00	NIPPLE, HOSE	1	
14	93210-07003-00	O-RING	1	
15	6E5-45321-00-00	PLATE	1	
16	93210-58144-00	.O-RING	1	
17	93106-09014-00	.OIL SEAL	1	
18	90119-06286-00	BOLT, WITH WASHER	3	
19	64P-44150-01-00	SHIFT CAM ASSY	1	L(20.3"), LH
19	64P-44150-11-00	SHIFT CAM ASSY	0	X(25.2"), LH
20	99001-08600-00	CIRCLIP	1	
21	61A-45538-00-00	SPACER 1	1	
22	90201-22M01-00	WASHER, PLATE	2	
23	90206-22M19-00	WASHER, WAVE	1	
24	61A-45527-00-00	COLLAR, DRIVE SHAFT	1	
25	61A-44311-01-00	HOUSING, WATER PUMP	1	
26	61A-44322-02-00	.INSERT, CARTRIDGE	1	
27	93210-86M38-00	.O-RING	1	

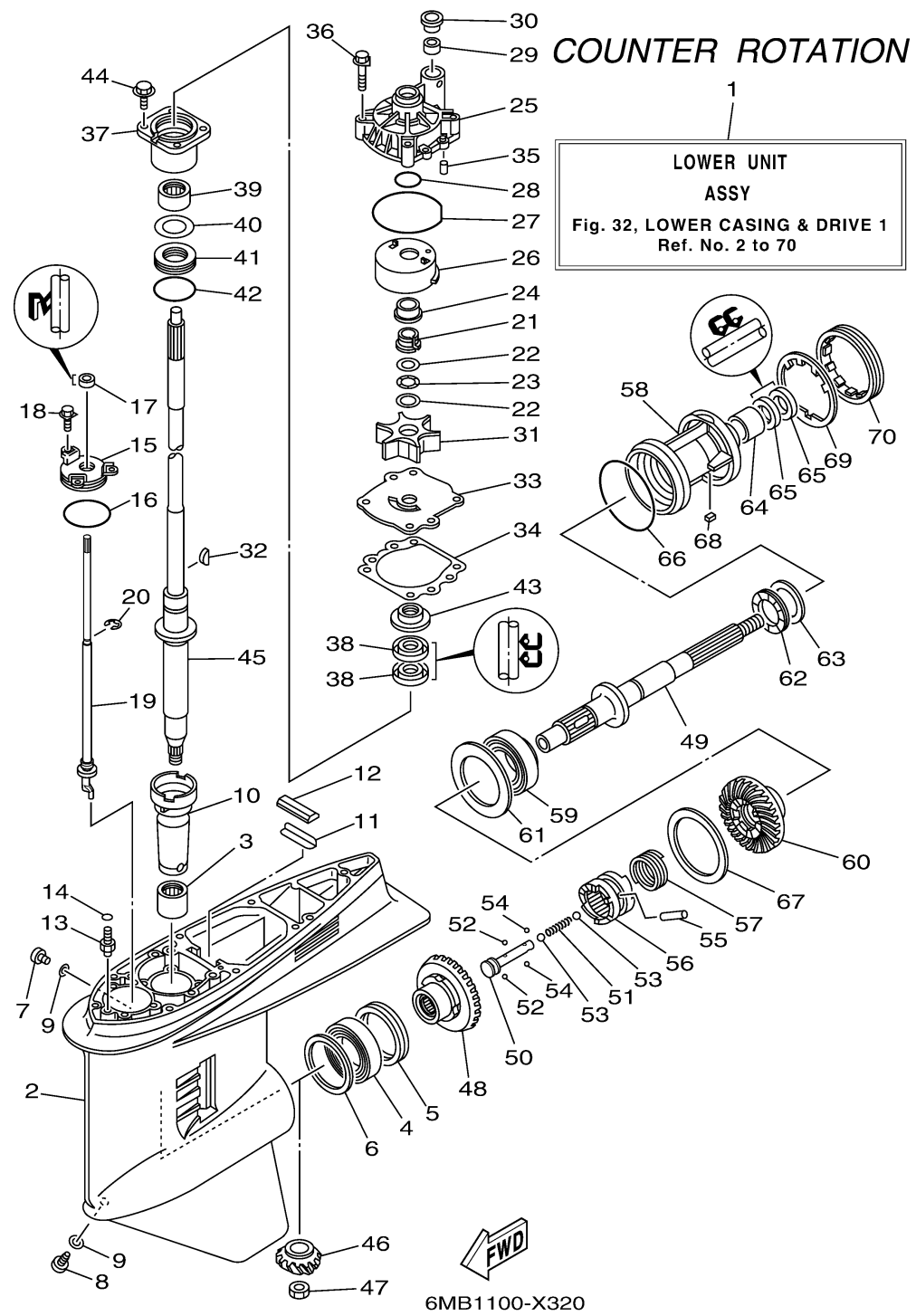
CONTINUED ON NEXT FRAME >



LOWER CASING DRIVE 3

Ref No.	Part Number	Description	Qty	Remarks
28	93210-37160-00	.O-RING	1	
29	6E5-44365-01-00	DAMPER, WATER SEAL 1	1	
30	6E5-44312-00-00	COVER, WATER PUMP HOUSING	1	
31	6E5-44352-01-00	.IMPELLER	1	
32	90280-04M05-00	.KEY, WOODRUFF	1	
33	6G5-44323-01-00	.OUTER PLATE, CARTRIDGE	1	
34	6E5-44315-A0-00	.GASKET, WATER PUMP	1	
35	93606-12019-00	.PIN, DOWEL	2	
36	90119-08191-00	.BOLT, WITH WASHER	4	
37	6E5-45331-00-9S	HOUSING, BEARING	1	
38	93101-28M16-00	.OIL SEAL	2	
39	93317-330U2-00	BEARING	1	
40	6E5-45587-01-00	SHIM (T:0.10MM)	1	UR
40	6E5-45587-10-00	SHIM (T:0.12MM)	1	UR
40	6E5-45587-20-00	SHIM (T:0.15MM)	1	UR
40	6E5-45587-30-00	SHIM (T:0.18MM)	1	UR
40	6E5-45587-40-00	SHIM (T:0.30MM)	1	UR
40	6E5-45587-50-00	SHIM (T:0.40MM)	1	UR
40	6E5-45587-60-00	SHIM (T:0.50MM)	1	UR
41	93341-930V2-00	BEARING	1	

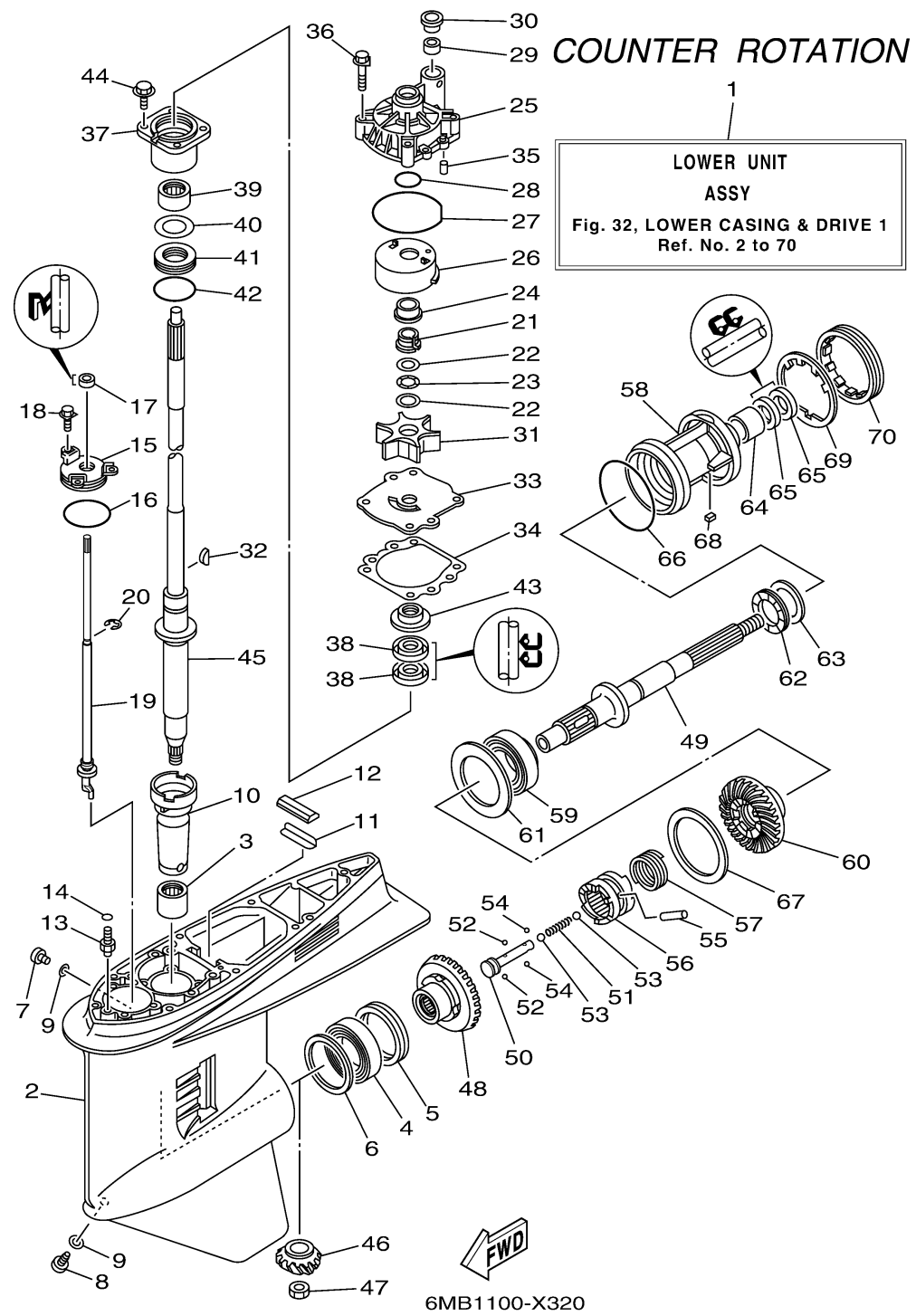
CONTINUED ON NEXT FRAME >



LOWER CASING DRIVE 3

Ref No.	Part Number	Description	Qty	Remarks
42	93210-55M14-00	.O-RING	1	
43	6E5-45344-00-00	COVER, OIL SEAL	1	
44	97E95-08525-00	BOLT, HEXAGON W/W DEEP RECESS	4	
45	63P-45501-11-00	DRIVE SHAFT COMP.	0	X(25.2")
45	63P-45501-01-00	DRIVE SHAFT COMP.	1	L(20.3")
46	63P-45551-00-00	PINION (14T)	1	
47	90170-16M01-00	NUT	1	
48	64P-45560-10-00	GEAR 1 (28T)	1	
49	6K1-45611-11-00	SHAFT, PROPELLER	1	
50	6E5-45634-02-00	SLIDE, SHIFT	1	
51	90501-16M37-00	SPRING, COMPRESSION	1	
52	93507-32009-00	.BALL	2	
53	93511-32017-00	BALL	2	
54	93503-16003-00	.BALL	2	
55	90250-08M07-00	PIN, STRAIGHT	1	
56	6DA-45631-01-00	CLUTCH, DOG	1	
57	6E5-45633-01-00	RING, CROSS PIN	1	
58	6K1-45332-01-CA	HOUSING, BEARING	1	
59	93332-00048-00	BEARING	1	
60	64P-45570-11-00	GEAR 2 (28T)	1	

CONTINUED ON NEXT FRAME >

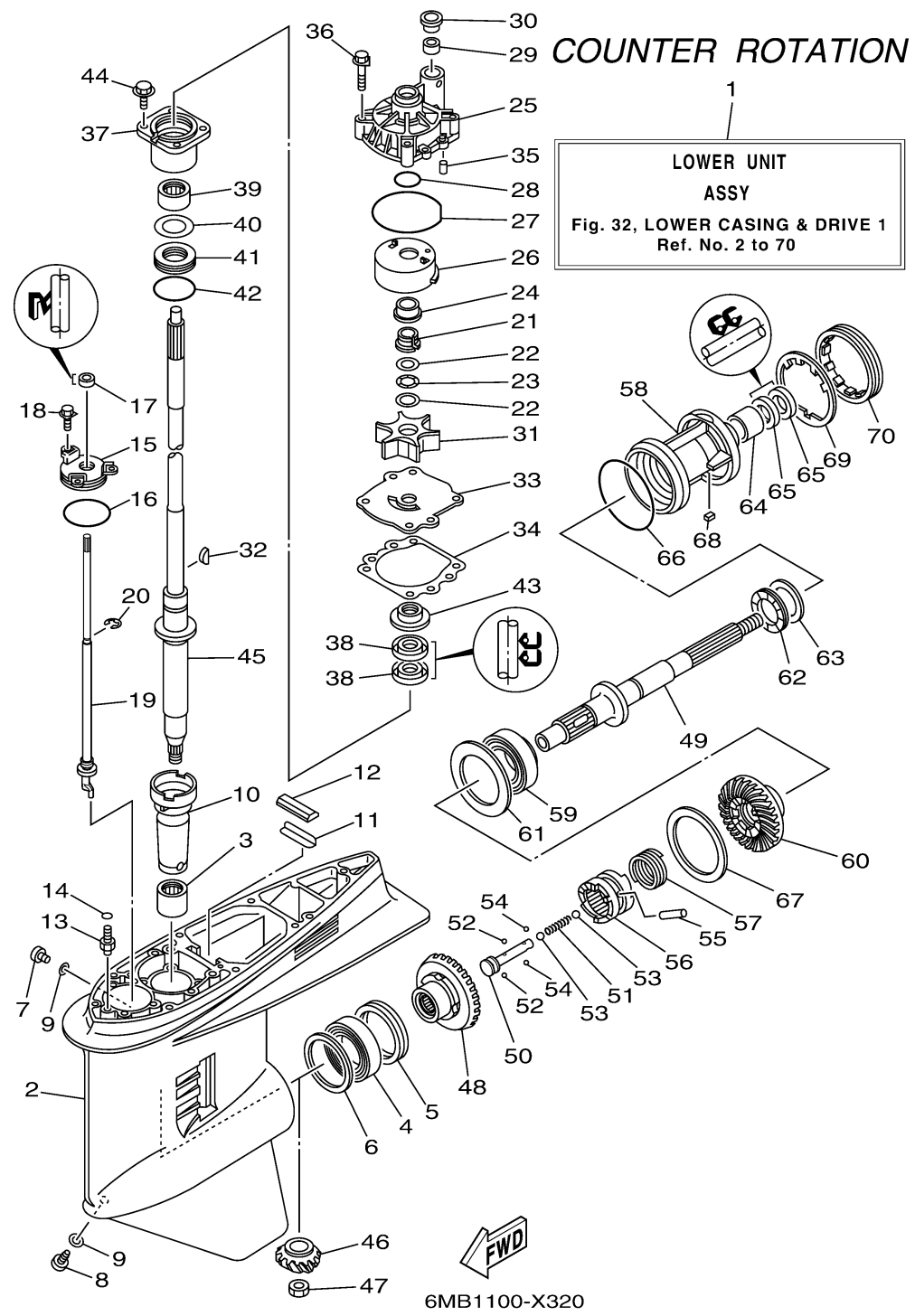


LOWER CASING DRIVE 3

Ref No.	Part Number	Description	Qty	Remarks
61	6K1-45576-00-00	WASHER, THRUST 2	1	
62	93341-440U5-00	BEARING	1	
63	6K1-45578-01-00	SHIM (T:0.10MM)	1	UR
63	6K1-45578-10-00	SHIM (T:0.12MM)	1	UR
63	6K1-45578-20-00	SHIM (T:0.15MM)	1	UR
63	6K1-45578-30-00	SHIM (T:0.18MM)	1	UR
63	6K1-45578-40-00	SHIM (T:0.30MM)	1	UR
63	6K1-45578-50-00	SHIM (T:0.40MM)	1	UR
63	6K1-45578-60-00	SHIM (T:0.50MM)	1	UR
64	93315-43061-00	BEARING	1	
65	93101-30M17-00	.OIL SEAL	2	
66	93210-97M55-00	.O-RING	1	
67	6G5-45577-02-00	SHIM (T:0.10MM)	1	UR
67	6G5-45577-10-00	SHIM (T:0.12MM)	1	UR
67	6G5-45577-20-00	SHIM (T:0.15MM)	1	UR
67	6G5-45577-30-00	SHIM (T:0.18MM)	1	UR
67	6G5-45577-40-00	SHIM (T:0.30MM)	1	UR
67	6G5-45577-50-00	SHIM (T:0.40MM)	1	UR
67	6G5-45577-60-00	SHIM (T:0.50MM)	1	UR
68	90282-04M00-00	KEY, STRAIGHT	1	

CONTINUED ON NEXT FRAME >

LOWER CASING DRIVE 3



Ref No.	Part Number	Description	Qty	Remarks
69	6G5-45383-01-00	WASHER, CLAW	1	
70	6G5-45384-02-00	NUT	1	