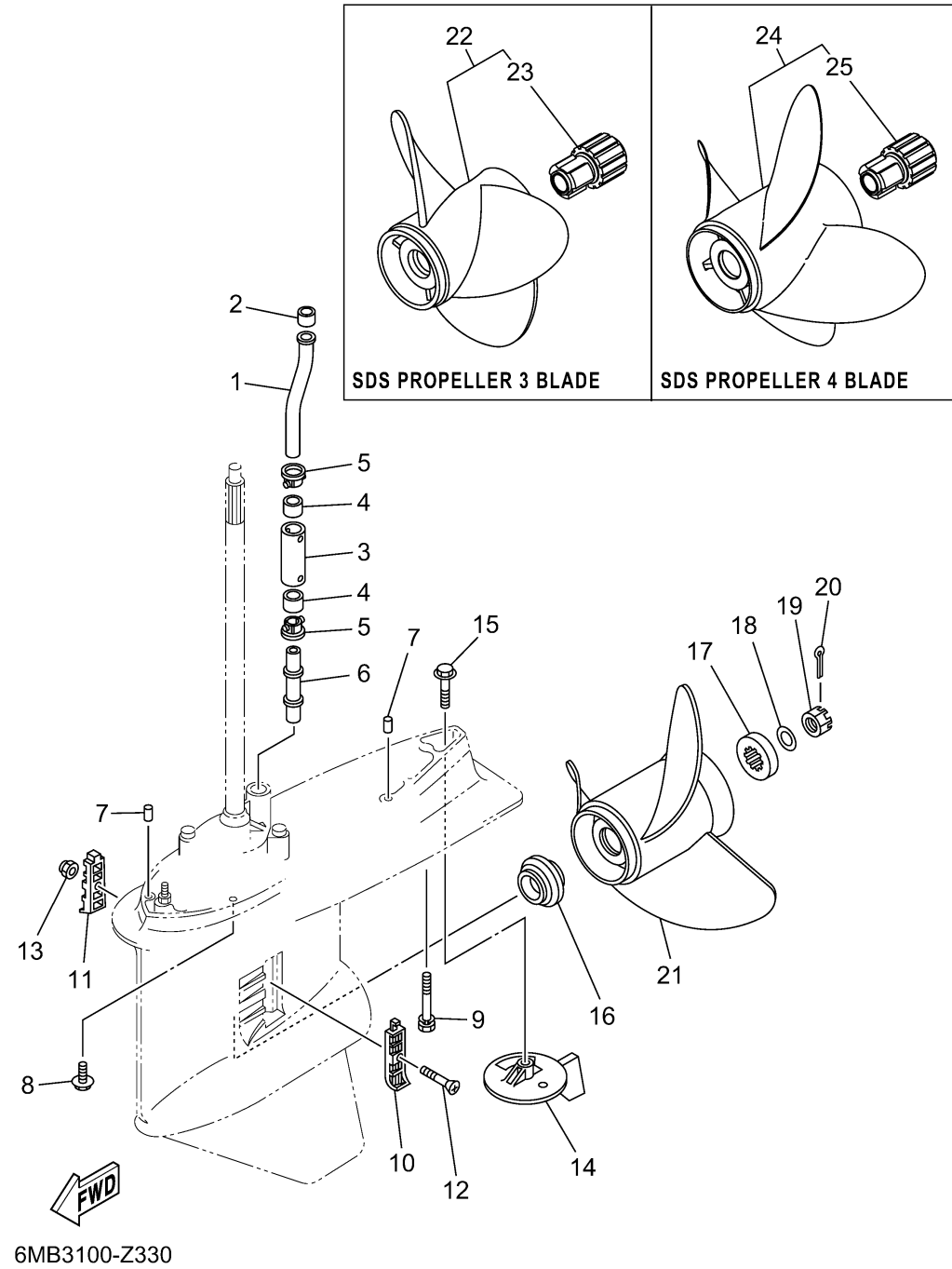


LOWER CASING DRIVE 4

COUNTER ROTATION

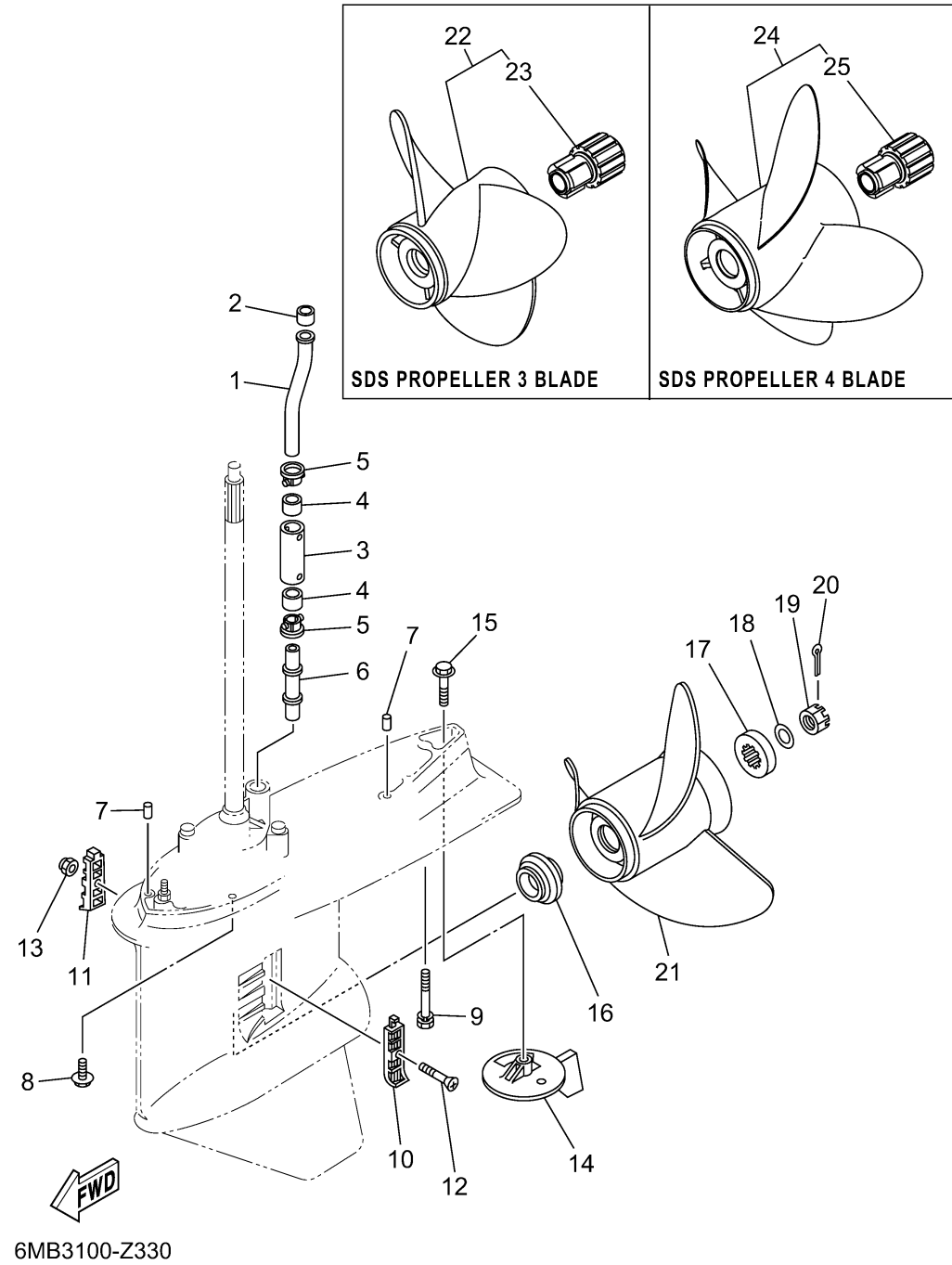


Ref No.	Part Number	Description	Qty	Remarks
1	63P-44361-00-00	TUBE, WATER 1	1	
2	6E5-44365-01-00	DAMPER, WATER SEAL 1	1	
3	63P-44362-00-00	TUBE, WATER 2	0	X(25.2")
4	6E5-44365-01-00	. DAMPER, WATER SEAL 1	0	X(25.2")
5	6E5-44312-00-00	COVER, WATER PUMP HOUSING	0	X(25.2")
6	63P-44363-00-00	TUBE, WATER 3	0	X(25.2")
7	93608-16M16-00	PIN, DOWEL	2	
8	97E95-10645-00	BOLT, HEXAGON W/W DEEP RECESS	6	
9	90119-10072-00	BOLT, WITH WASHER	1	L(20.3")
9	90119-10008-00	BOLT, WITH WASHER	0	X(25.2")
10	6J9-45214-00-00	COVER, WATER INLET 1	1	
11	6J9-45215-00-00	COVER, WATER INLET 2	1	
12	90152-05M08-00	SCREW, COUNTERSUNK	1	
13	90185-05002-00	.NUT, NYLON	1	
14	6K1-45371-02-00	TAB-TRIM	1	
15	90105-10M00-00	BOLT, FLANGE	1	
16	6E5-45987-01-00	SPACER 1	1	
17	688-45997-01-00	SPACER 2	1	
18	92990-18200-00	WASHER	1	
19	90171-18M04-00	NUT, CASTLE	1	

CONTINUED ON NEXT FRAME >

LOWER CASING DRIVE 4

COUNTER ROTATION

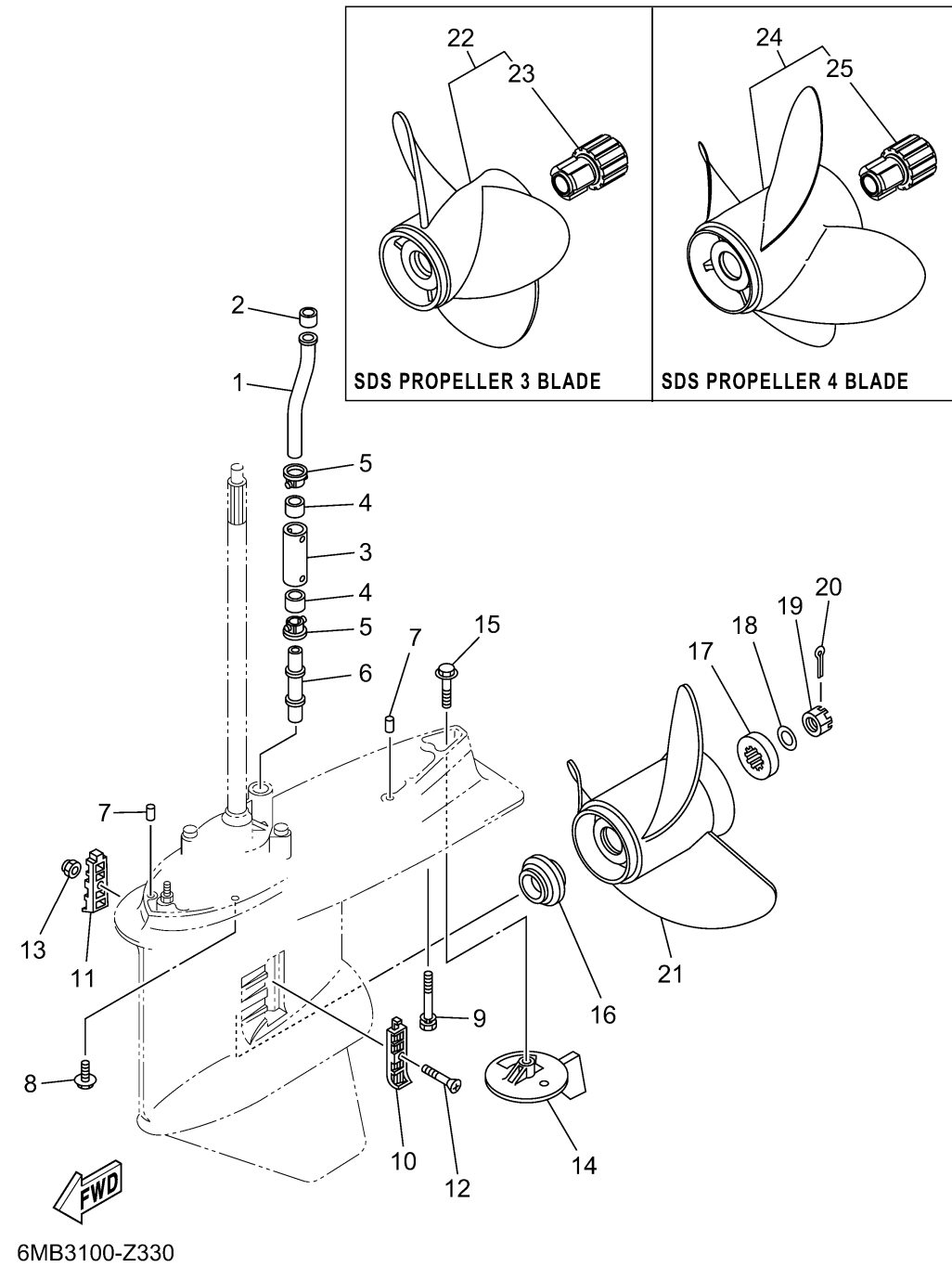


Ref No.	Part Number	Description	Qty	Remarks
20	91490-40030-00	PIN. COTTER	1	
21	6K1-45972-01-00	PROPELLER (3X13-3/4"X21"-ML)	1	UR
21	6K1-45974-02-00	PROPELLER (3X13-3/4"X19"-ML1)	1	UR
21	6K1-45978-02-00	PROPELLER (3X13-3/4"X17"-ML1)	1	UR
21	6K1-45976-00-00	PROPELLER (3X13-3/8"X23"-ML)	1	UR
21	6K1-45945-00-00	PROPELLER (3X14"X19"-ML)	1	UR
21	6K1-45947-00-00	PROPELLER (3X14-1/2"X17"-ML)	1	UR
22	6CF-45934-20-00	PROPELLER (3X15-1/4"X18"-TL)	1	UR SDS 3 BLADE
22	6CF-45932-20-00	PROPELLER (3X15"X20"-TL)	1	UR SDS 3 BLADE
22	6CF-45936-20-00	PROPELLER (3X14-3/4"X22"-TL)	1	UR SDS 3 BLADE
22	68G-45970-20-00	PROPELLER (3X14-1/2"X15"-ML)	1	UR SDS 3 BLADE
22	68G-45972-20-00	PROPELLER (3X14-1/4"X17"-ML)	1	UR SDS 3 BLADE
22	68G-45978-20-00	PROPELLER (3X14-1/4"X18"-ML)	1	UR SDS 3 BLADE
22	68G-45974-20-00	PROPELLER (3X13-3/4"X19"-ML)	1	UR SDS 3 BLADE
22	68G-45976-20-00	PROPELLER (3X13-3/4"X21"-ML)	1	UR SDS 3 BLADE
22	6CF-45970-20-00	PROPELLER (3X15-1/4"X19"-TL)	1	UR SDS 3 BLADE
22	6CF-45972-20-00	PROPELLER (3X15"X21"-TL)	1	UR SDS 3 BLADE
22	6CF-45974-20-00	PROPELLER (3X14-3/4"X23"-TL)	1	UR SDS 3 BLADE
22	60J-45970-00-00	PROPELLER (3X14-1/4"X14"-ML)	1	UR SDS 3 BLADE
22	60J-45972-00-00	PROPELLER (3X14-1/4"X16"-ML)	1	UR SDS 3 BLADE

CONTINUED ON NEXT FRAME >

LOWER CASING DRIVE 4

COUNTER ROTATION



Ref No.	Part Number	Description	Qty	Remarks
22	60J-45974-00-00	PROPELLER (3X14-1/4"X18"-ML)	1	UR SDS 3 BLADE
22	60J-45976-00-00	PROPELLER (3X14-1/4"X20"-ML)	1	UR SDS 3 BLADE
22	60J-45978-00-00	PROPELLER (3X14-1/4"X22"-ML)	1	UR SDS 3 BLADE
22	68G-45930-20-00	PROPELLER (3X14-1/2"X14"-ML)	1	UR SDS 3 BLADE
22	6CF-45D72-20-00	PROPELLER (3X14-3/4"X24"-TL)	1	UR SDS 3 BLADE
22	6CF-45D74-20-00	PROPELLER (3X14-3/4"X25"-TL)	1	UR SDS 3 BLADE
23	6CE-45C81-10-00	. .DAMPER RUBBER, PROPELLER 1	1	
24	6CF-45B70-20-00	PROPELLER (4X15"X21"-TL)	1	UR SDS 4 BLADE
24	6CF-45B72-20-00	PROPELLER (4X15"X22"-TL)	1	UR SDS 4 BLADE
24	6CF-45B74-20-00	PROPELLER (4X15"X23"-TL)	1	UR SDS 4 BLADE
25	6CE-45C81-10-00	. .DAMPER RUBBER, PROPELLER 1	1	