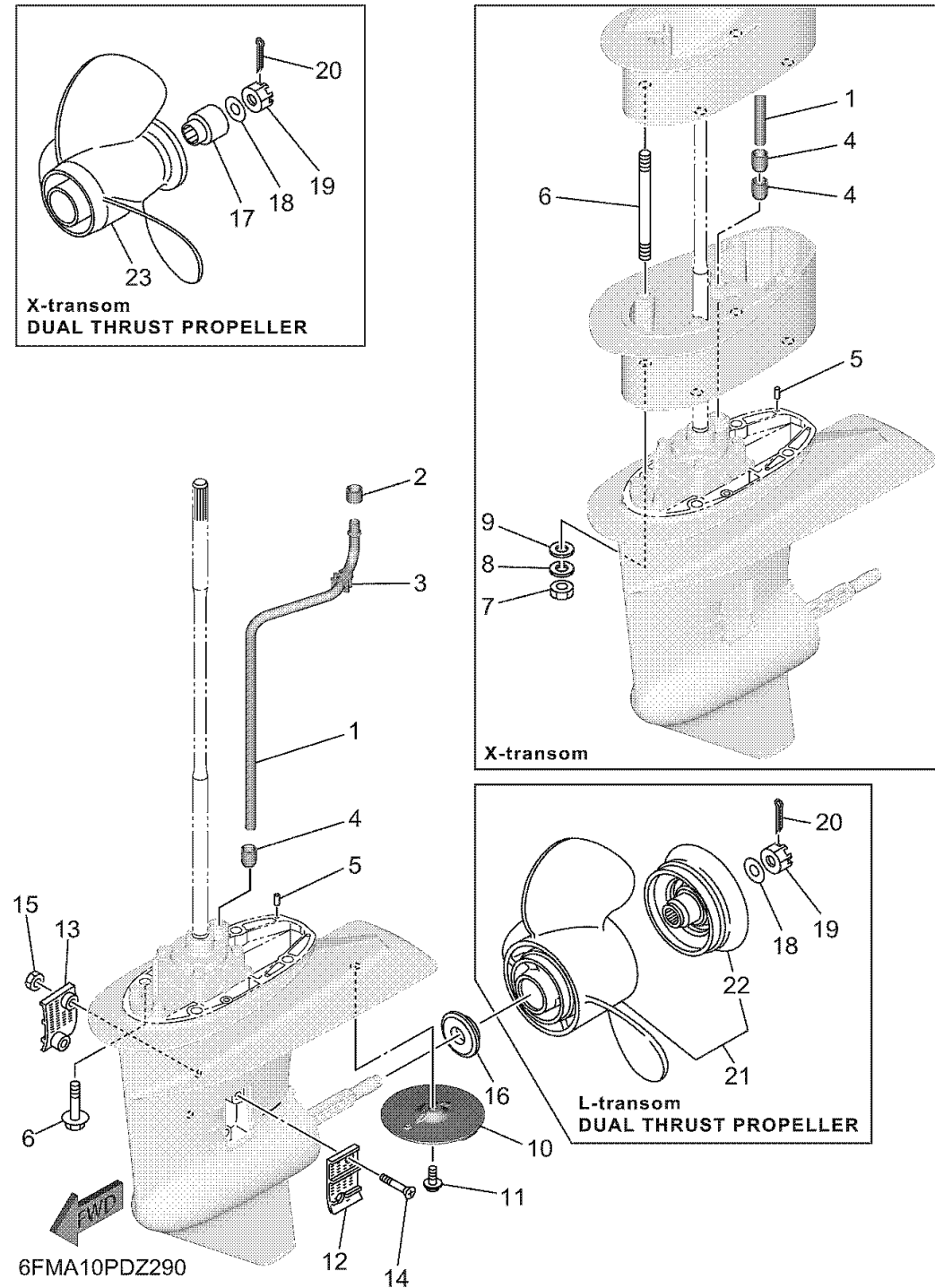


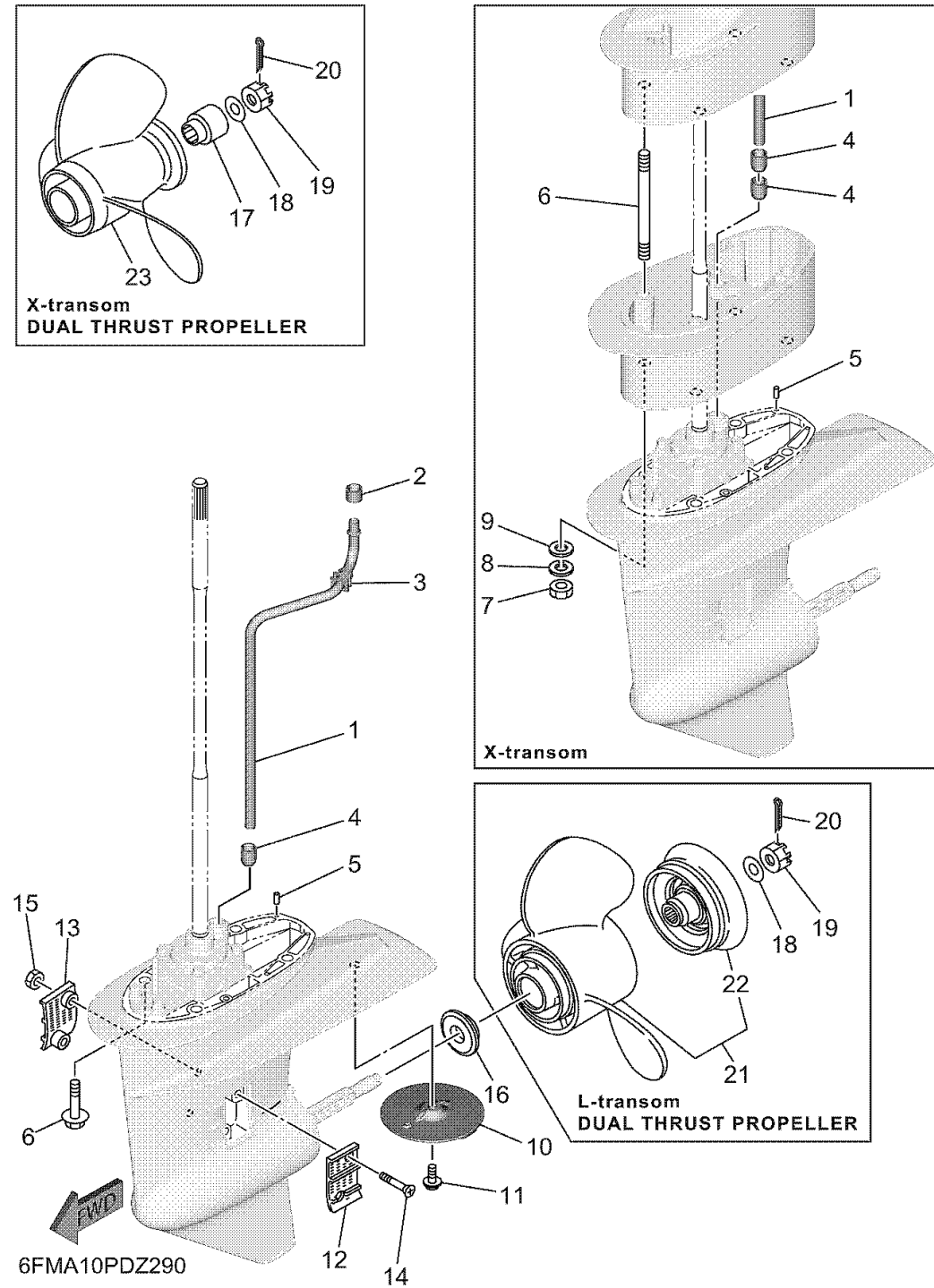
# LOWER CASING DRIVE 2



| Ref No. | Part Number     | Description                   | Qty | Remarks  |
|---------|-----------------|-------------------------------|-----|----------|
| 1       | 6FM-44361-10-00 | TUBE, WATER 1                 | 1   | L(21.7") |
| 1       | 6FM-44361-20-00 | TUBE, WATER 1                 | 0   | X(25.1") |
| 2       | 682-44365-01-00 | .DAMPER, WATER SEAL 1         | 1   |          |
| 3       | 6AH-44365-01-00 | DAMPER, WATER SEAL 1          | 1   |          |
| 4       | 6L2-44368-01-00 | .RUBBER, WATER SEAL 4         | 1   | L(21.7") |
| 4       | 6L2-44368-01-00 | .RUBBER, WATER SEAL 4         | 0   | X(25.1") |
| 5       | 93604-12M07-00  | PIN, DOWEL                    | 2   |          |
| 6       | 90116-10069-00  | BOLT, STUD                    | 0   | X(25.1") |
| 6       | 97E95-10535-00  | BOLT, HEXAGON W/W DEEP RECESS | 4   | L(21.7") |
| 7       | 95380-10600-00  | NUT                           | 0   | X(25.1") |
| 8       | 92990-10100-00  | WASHER, SPRING                | 0   | X(25.1") |
| 9       | 92990-10600-00  | WASHER, PLATE                 | 0   | X(25.1") |
| 10      | 664-45371-01-00 | TAB-TRIM                      | 1   |          |
| 11      | 90105-08M02-00  | BOLT, FLANGE                  | 1   |          |
| 12      | 6L2-45214-00-00 | COVER, WATER INLET 1          | 1   |          |
| 13      | 6L2-45215-00-00 | COVER, WATER INLET 2          | 1   |          |
| 14      | 90151-05M05-00  | SCREW, COUNTERSUNK            | 2   |          |
| 15      | 90185-05002-00  | NUT, NYLON                    | 2   |          |
| 16      | 6L2-45987-01-00 | SPACER 1                      | 1   |          |
| 17      | 689-45997-00-00 | SPACER 2                      | 0   | X(25.1") |

CONTINUED ON NEXT FRAME >

## LOWER CASING DRIVE 2



| Ref No. | Part Number     | Description                    | Qty | Remarks  |
|---------|-----------------|--------------------------------|-----|----------|
| 18      | 92990-14200-00  | WASHER, PLAIN                  | 1   |          |
| 19      | 90171-14013-00  | NUT, CASTLE                    | 1   |          |
| 20      | 91490-30025-00  | PIN. COTTER                    | 1   |          |
| 21      | 6J8-W4591-00-00 | PROPELLER (3X10-5/8"X8-1/4"-F) | 1   | L(21.7") |
| 22      | 6J8-45986-10-00 | . .RING, DEFLECTOR             | 1   | L(21.7") |
| 23      | 6FM-45941-00-00 | PROPELLER (3X10-5/8"X6-3/4"-F) | 0   | X(25.1") |