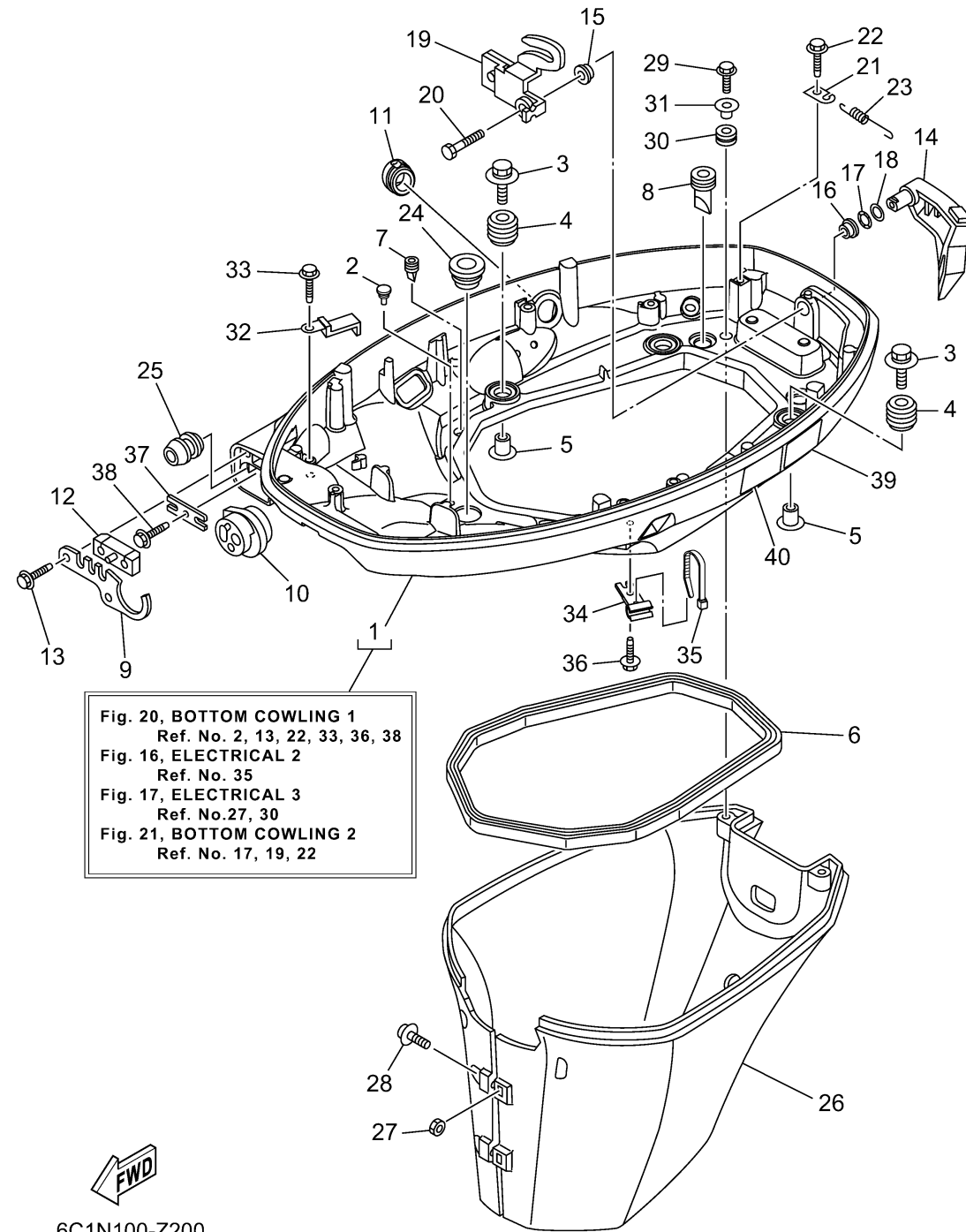


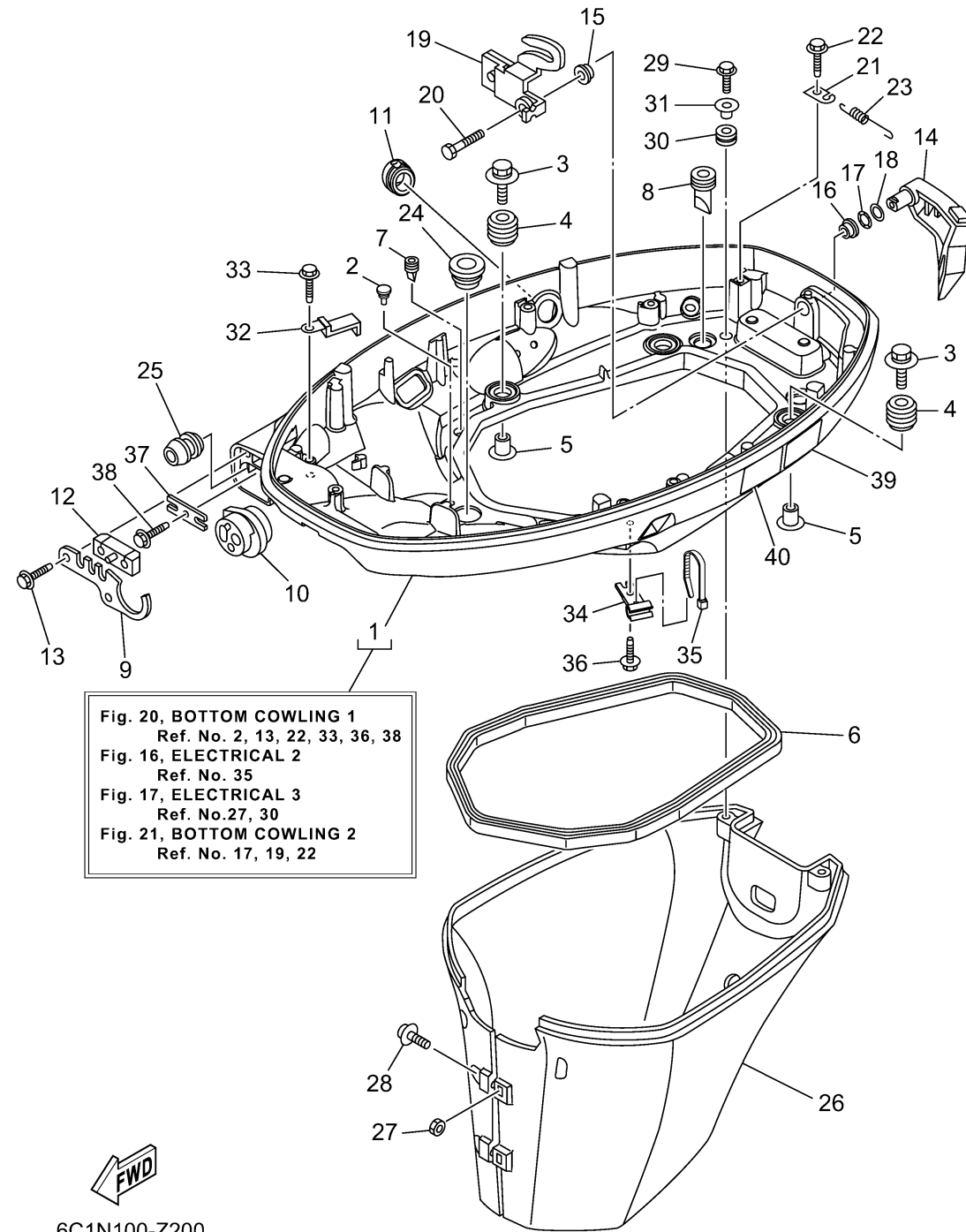
BOTTOM COWLING 1



Ref No.	Part Number	Description	Qty	Remarks
1	6CJ-42710-03-8D	BOTTOM COWLING ASSY	1	
2	6H4-42748-01-00	GROMMET	3	
3	90119-06291-00	BOLT, WITH WASHER	4	
4	6BG-42748-01-00	GROMMET	4	
5	90387-06M69-00	COLLAR	4	
6	62Y-42716-01-00	RUBBER SEAL 1	1	
7	65W-42717-00-00	RUBBER, SEAL 2	2	
8	61A-42717-00-00	RUBBER, SEAL 2	2	
9	6BG-42761-00-00	STOPPER	1	
10	6CJ-42725-01-00	GROMMET	1	
11	6CJ-42726-10-00	GROMMET	1	
12	6BG-42727-01-00	GROMMET	1	
13	90109-06316-00	BOLT	2	
14	6BG-42815-00-8D	LEVER, CLAMP 1	1	
15	90386-12M37-00	BUSH	1	
16	90386-12MA2-00	BUSH	1	
17	90206-12052-00	WASHER, WAVE	1	
18	90201-12M07-00	WASHER, PLATE	1	
19	6BG-42816-00-00	LEVER, CLAMP 2	1	
20	97D95-06014-00	BOLT, HEXAGON DEEP RECESS	1	

CONTINUED ON NEXT FRAME >

BOTTOM COWLING 1



Ref No.	Part Number	Description	Qty	Remarks
21	66T-43144-00-00	HOOK, SPRING	1	
22	90109-06316-00	BOLT	1	
23	90506-18023-00	SPRING, TENSION	1	
24	68U-42727-01-00	GROMMET	1	
25	6BG-24329-01-00	SEAL	1	
26	6BG-42741-10-8D	APRON, 1	1	
27	95380-06600-00	NUT, HEXAGON	2	
28	97980-06325-00	SCREW, WITH WASHER	2	
29	90109-06M80-00	BOLT	2	
30	90480-13M24-00	GROMMET	2	
31	90387-06M43-00	COLLAR	2	
32	90462-20005-00	CLAMP	1	
33	90109-06316-00	BOLT	1	
34	90464-09M49-00	CLAMP	1	
35	90465-11M10-00	CLAMP	1	
36	90109-06316-00	BOLT	1	
37	6BG-48538-00-00	CLAMP, CABLE 1	1	
38	90109-06316-00	BOLT	1	
39	6EE-42794-41-00	LABEL, WARNING (GENERAL)	1	
40	6EE-42794-51-00	LABEL, WARNING (GENERAL)	1	