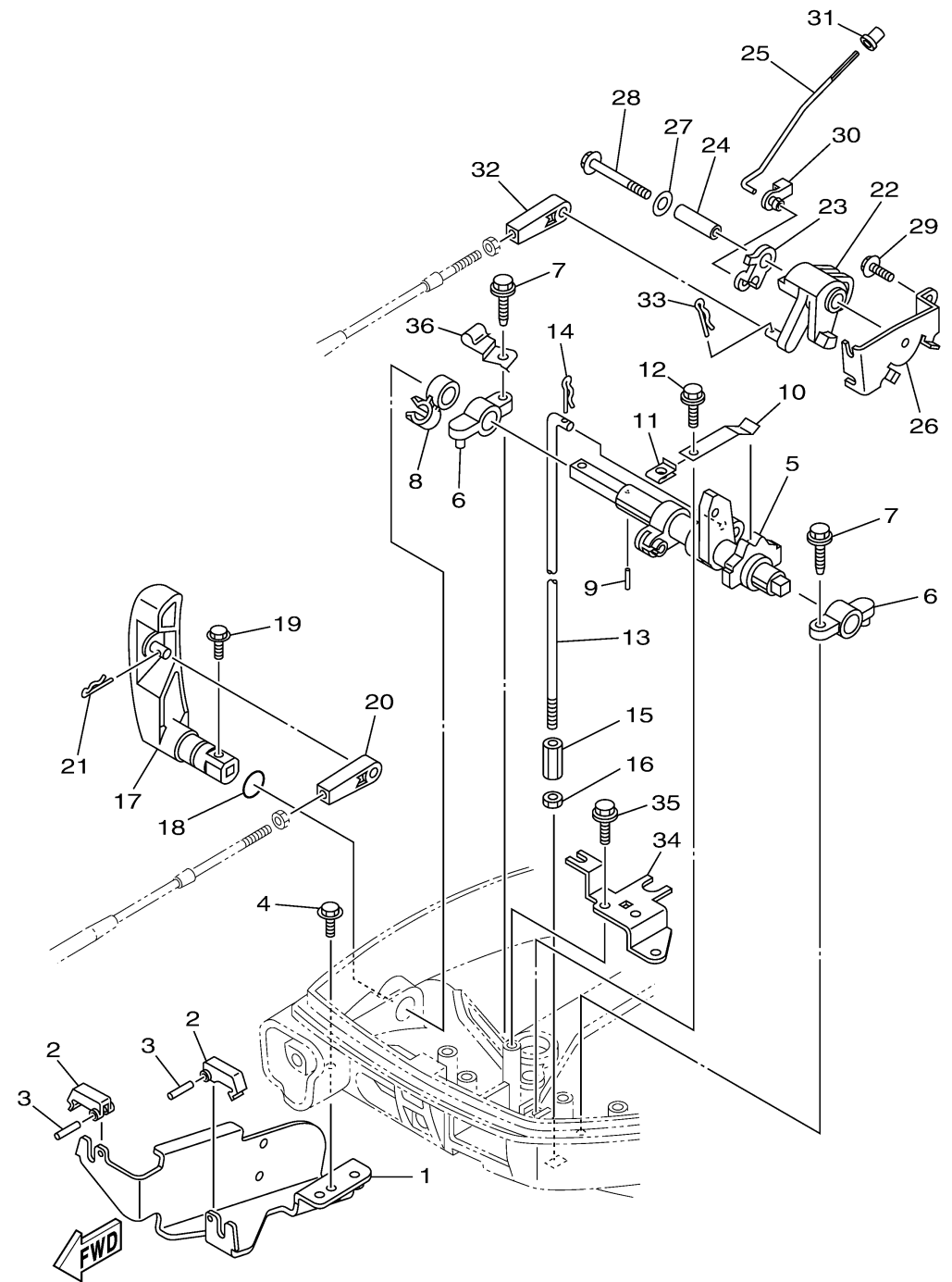


CONTROL 2

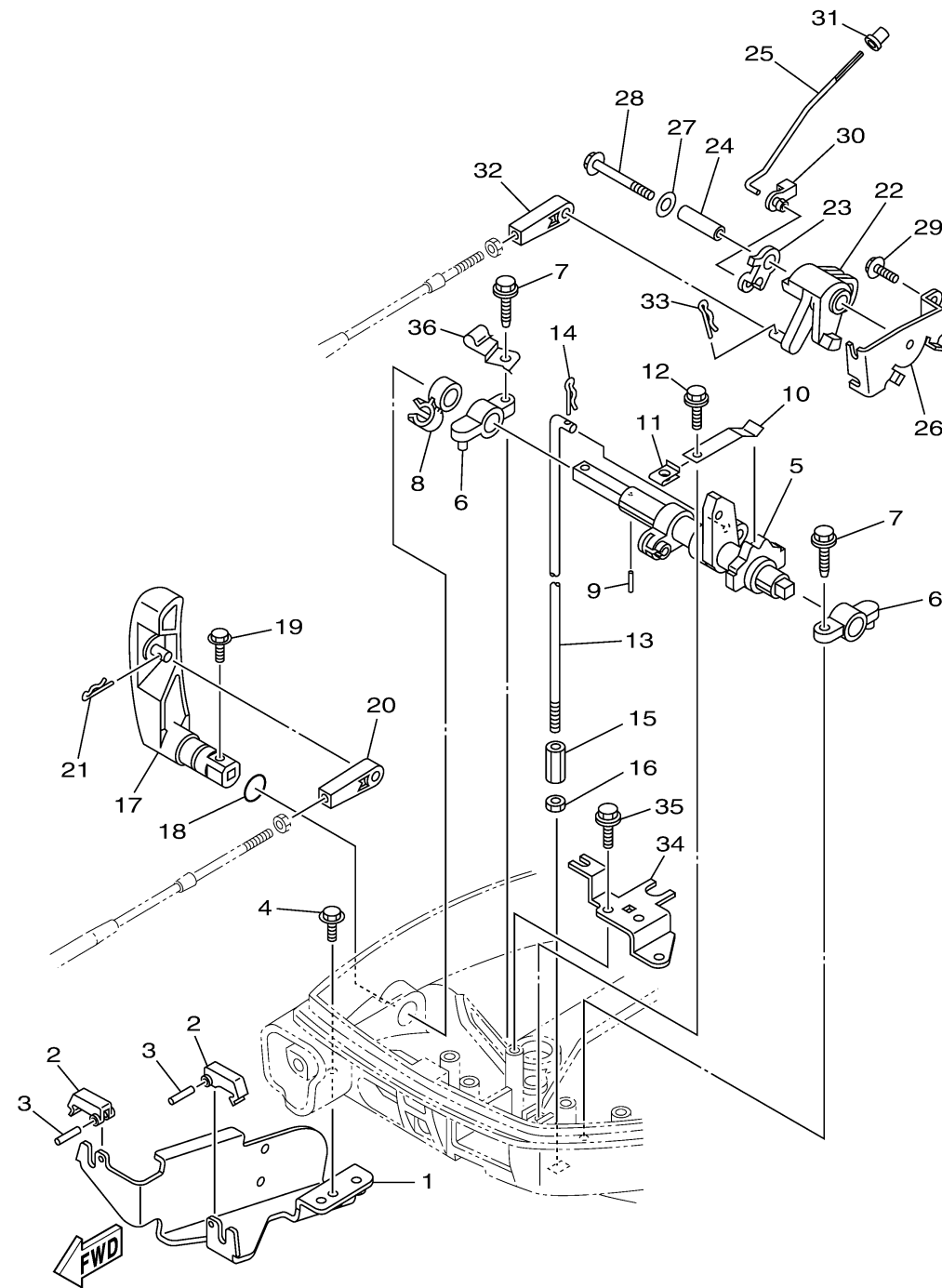


6EAA100-W210

Ref No.	Part Number	Description	Qty	Remarks
1	6DR-48531-01-00	BRACKET, REMOTE CONTROL 1	0	
2	682-48538-50-00	.CLAMP, CABLE 1	0	
3	91690-30012-00	.PIN, SPRING	0	
4	97E95-06512-00	BOLT, HEXAGON W/W DEEP RECESS	0	
5	68T-44121-03-00	LEVER, SHIFT ROD	0	
6	6G1-41662-01-94	BRACKET 2	0	
7	90109-06M81-00	BOLT	0	
8	90464-10M60-00	CLAMP	0	
9	91690-30014-00	PIN, SPRING	0	
10	65W-44116-00-00	SPRING	0	
11	6DR-44117-01-00	BRACKET	0	
12	90109-06M86-00	BOLT	0	
13	68T-44143-11-00	ROD, SHIFT 1	0	
14	90468-18001-00	CLIP	0	
15	61N-44146-00-00	CONNECTOR, SHIFT ROD 2	0	
16	95380-06700-00	NUT	0	
17	6AU-44111-10-00	.HANDLE, GEAR SHIFT	0	
18	93210-12327-00	.O-RING	0	
19	97595-05516-00	.BOLT, WITH WASHER	0	
20	6FM-48344-00-00	.CABLE END, REMOTE CONTROL	0	

CONTINUED ON NEXT FRAME >

CONTROL 2



6EAA100-W210

Ref No.	Part Number	Description	Qty	Remarks
21	90468-18008-00	.CLIP	0	
22	68T-41638-00-00	PULLEY	0	
23	68T-41283-00-00	LEVER, FREE ACCEL.	0	
24	90387-06M59-00	COLLAR	0	
25	6AU-41211-00-00	LINK, ACCEL.	0	
26	68T-14497-00-00	STAY, THROTTLE WIRE	0	
27	92990-06200-00	WASHER, PLAIN	0	
28	97E95-06545-00	BOLT, HEXAGON W/W DEEP RECESS	0	
29	97E95-06512-00	BOLT, HEXAGON W/W DEEP RECESS	0	
30	6J8-41262-00-00	JOINT, CHOKE LEVER	0	
31	647-14395-61-00	CAP, OVERFLOW PIPE	0	
32	6FM-48344-00-00	.CABLE END, REMOTE CONTROL	0	
33	90468-18008-00	.CLIP	0	
34	68T-15774-20-00	STAY 4	0	
35	90109-06M86-00	BOLT	0	
36	90465-08027-00	CLAMP	0	