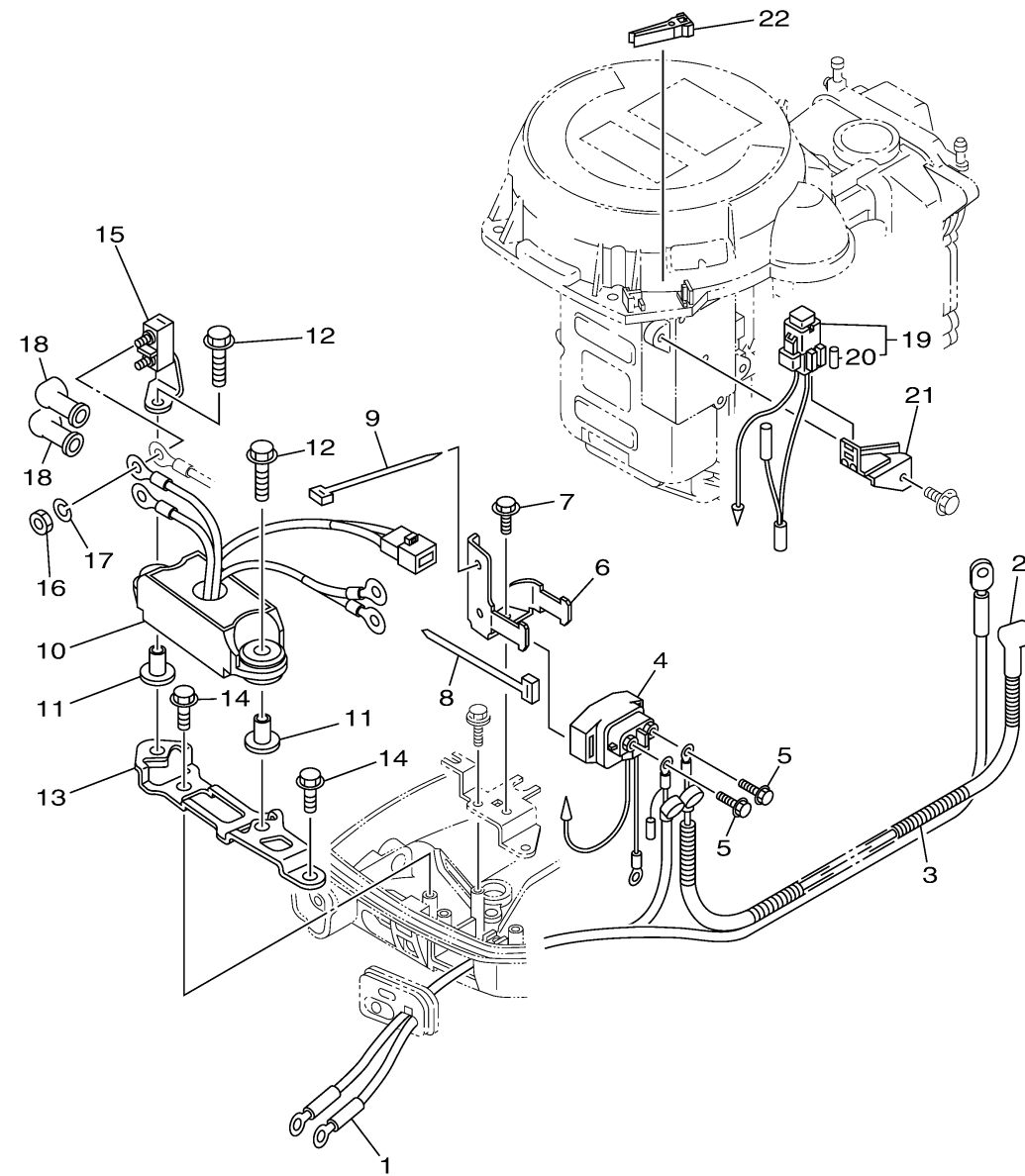


## ELECTRICAL 2



Ref No.	Part Number	Description	Qty	Remarks
1	69G-82105-02-00	.BATTERY CABLE (L: 3.0M)	1	
2	6G8-82117-01-00	WIRE, LEAD	1	
3	90446-10M86-00	HOSE (L140)	1	
4	68T-81940-00-00	STARTER RELAY ASSY	1	
5	97E95-06610-00	BOLT, HEXAGON W/W DEEP RECESS	2	
6	68T-81945-01-00	PLATE, SWITCH FITTING	1	
7	97E95-06512-00	BOLT, HEXAGON W/W DEEP RECESS	1	
8	90465-13M11-00	CLAMP	1	
9	90465-13M11-00	CLAMP	1	
10	69G-81950-00-00	RELAY ASSY	1	
11	90387-06M03-00	COLLAR	2	
12	90119-06293-00	BOLT, WITH WASHER	2	
13	69G-81948-01-00	BRACKET	1	
14	90109-06M86-00	BOLT	2	
15	69G-81925-00-00	TERMINAL	1	
16	90170-06M30-00	NUT	2	
17	90204-06M00-00	WASHER, SPRING	2	
18	6G5-82119-00-00	COVER, LEAD WIRE	2	
19	68T-82150-00-00	FUSE HOLDER ASSY	1	
20	66V-82151-00-00	. .FUSE (10A-BL)	2	

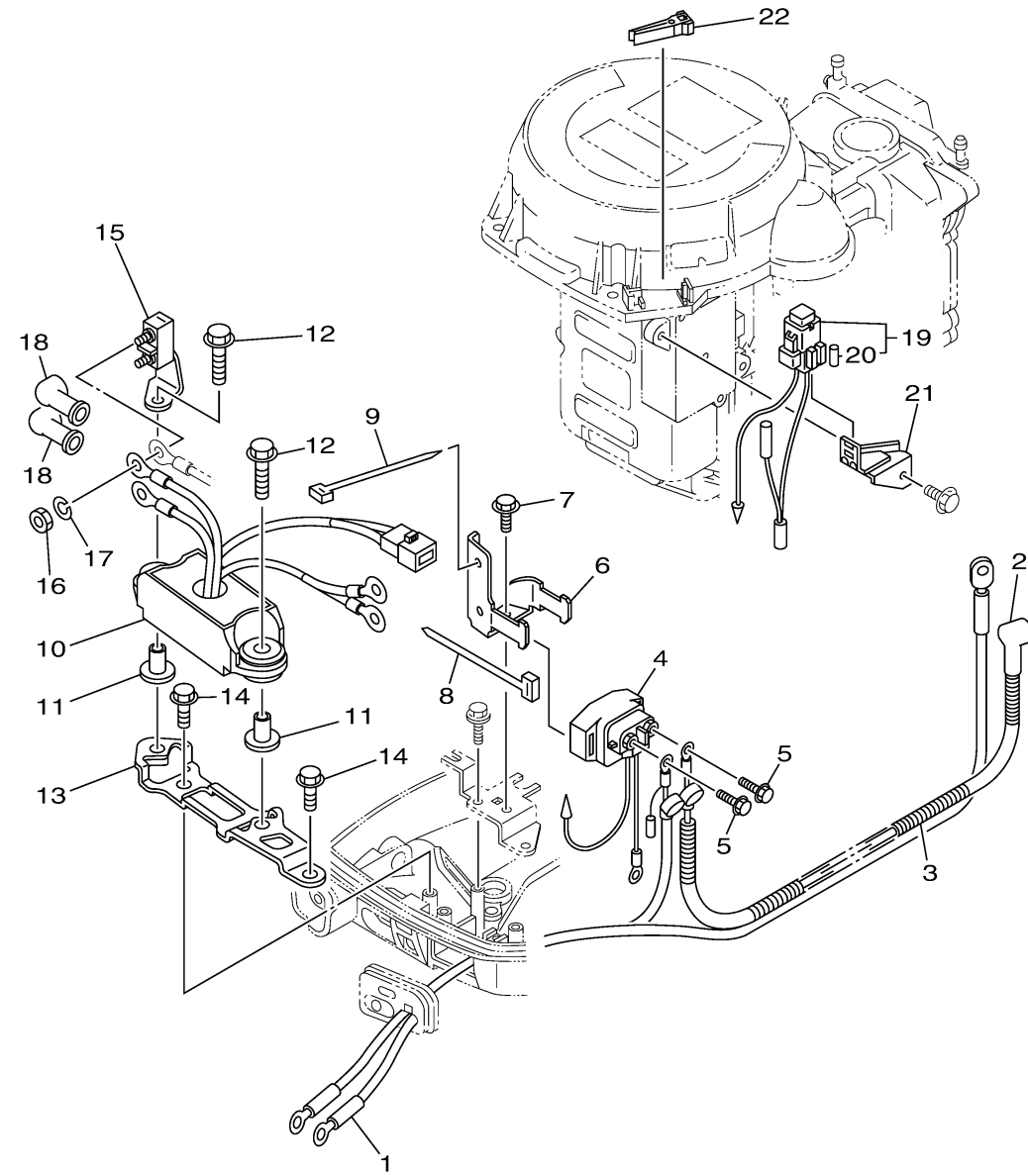
CONTINUED ON NEXT FRAME >



6EAA100-W130

## ELECTRICAL 2

Ref No.	Part Number	Description	Qty	Remarks
21	68T-82171-01-00	STAY, FUSE BOX	1	
22	67F-2812A-00-00	PULLER, FUSE	1	



6EAA100-W130