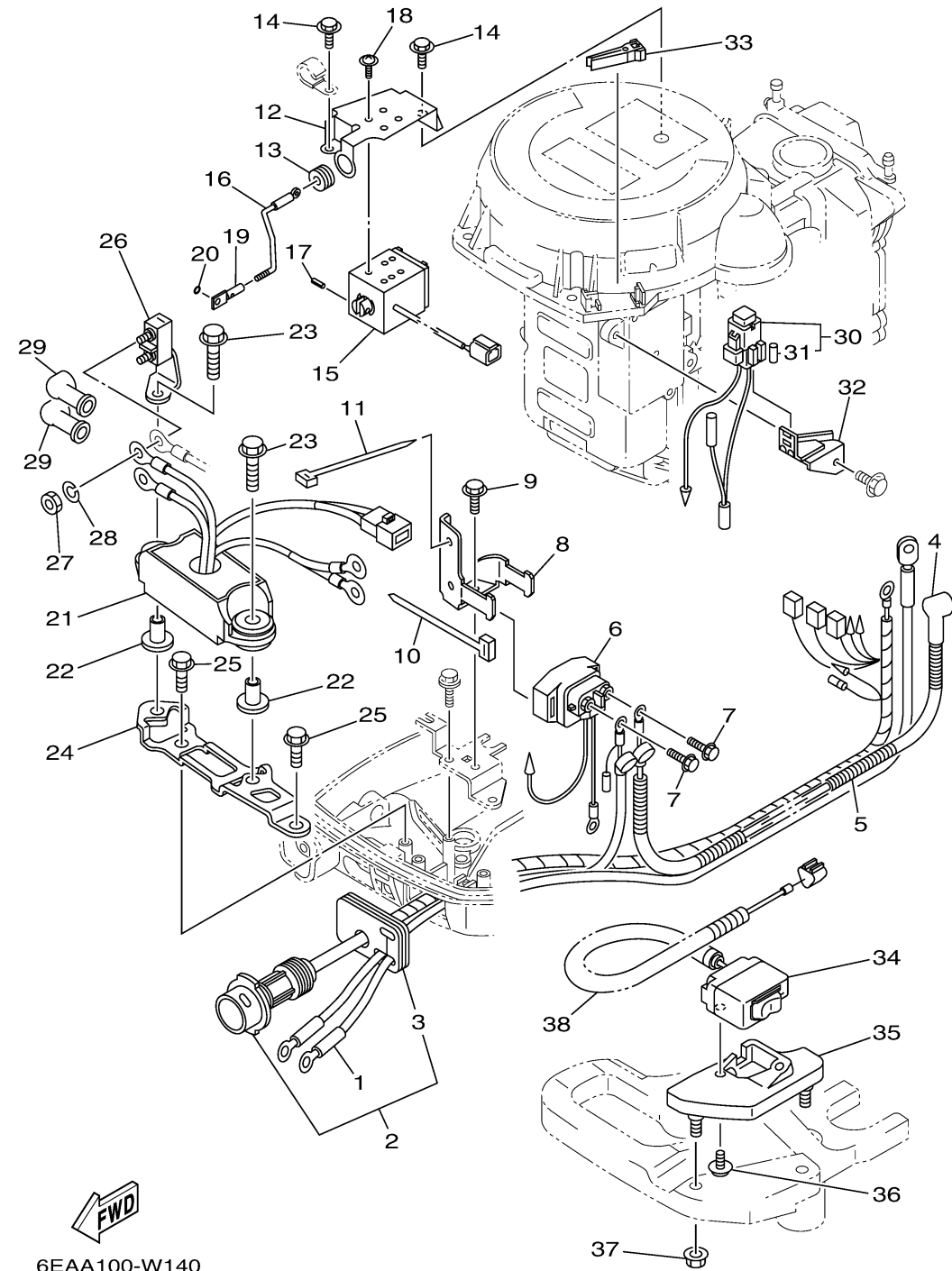


ELECTRICAL 3

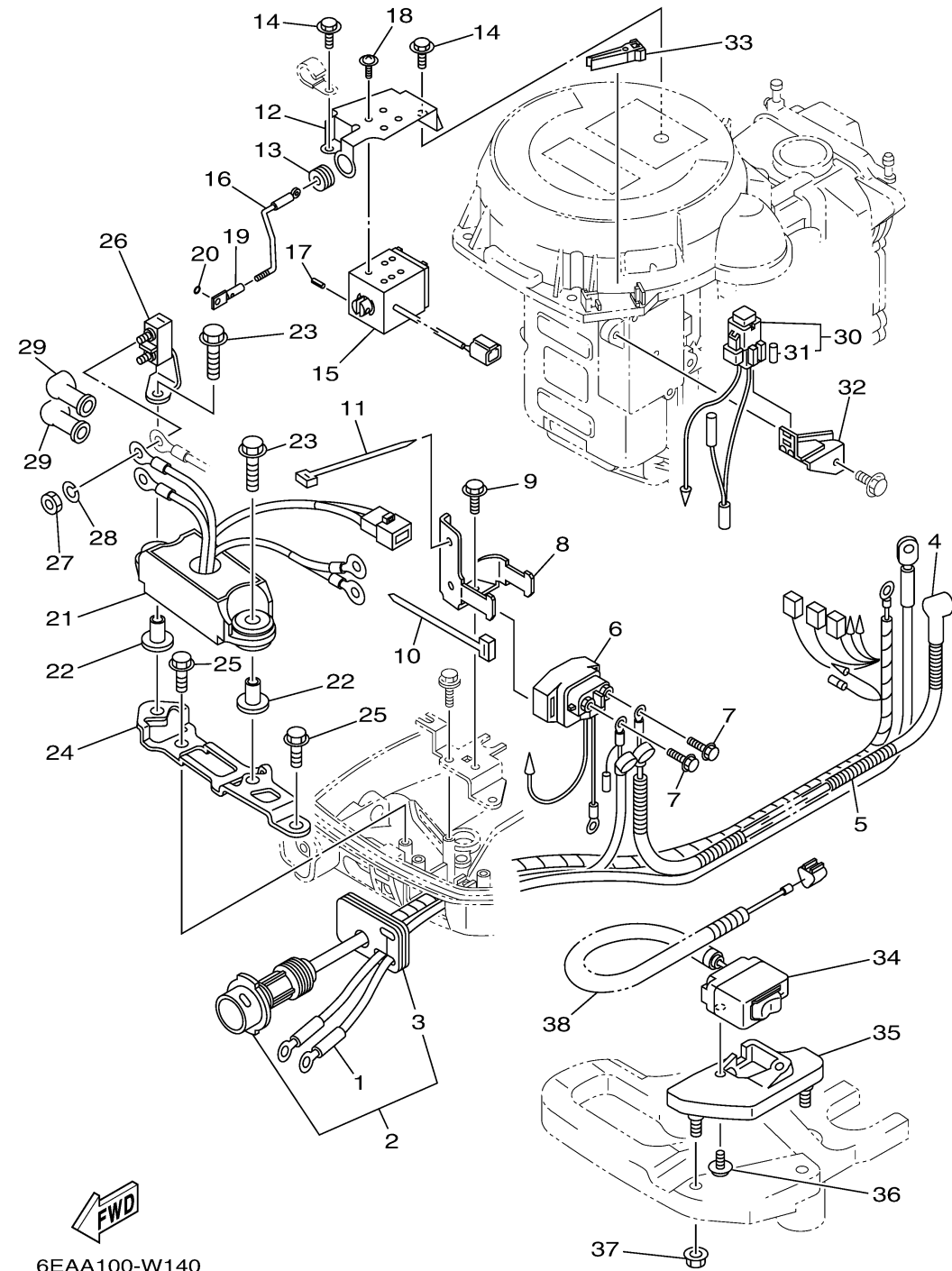


6EAA100-W140

Ref No.	Part Number	Description	Qty	Remarks
1	69G-82105-02-00	.BATTERY CABLE (L: 3.0M)	0	
2	69G-82590-01-00	WIRE HARNESS ASSY	0	
3	69G-42724-61-00	.GROMMET	0	
4	6G8-82117-01-00	WIRE, LEAD	0	
5	90446-10M86-00	HOSE (L140)	0	
6	68T-81940-00-00	STARTER RELAY ASSY	0	
7	97E95-06610-00	BOLT, HEXAGON W/W DEEP RECESS	0	
8	68T-81945-01-00	PLATE, SWITCH FITTING	0	
9	97E95-06512-00	BOLT, HEXAGON W/W DEEP RECESS	0	
10	90465-13M11-00	CLAMP	0	
11	90465-13M11-00	CLAMP	0	
12	68T-86112-00-00	STAY, SOLENOID	0	
13	90480-13018-00	GROMMET	0	
14	97E95-06512-00	BOLT, HEXAGON W/W DEEP RECESS	0	
15	68T-86111-00-00	COIL, SOLENOID	0	
16	68T-41237-00-00	JOINT, LINK	0	
17	91690-30010-00	PIN, SPRING	0	
18	97980-04208-00	SCREW, WITH WASHER	0	
19	68T-86117-00-00	HOOK, WIRE PULL	0	
20	93210-03261-00	O-RING	0	

CONTINUED ON NEXT FRAME >

ELECTRICAL 3



6EAA100-W140

Ref No.	Part Number	Description	Qty	Remarks
21	69G-81950-00-00	RELAY ASSY	0	
22	90387-06M03-00	COLLAR	0	
23	90119-06293-00	BOLT, WITH WASHER	0	
24	69G-81948-01-00	BRACKET	0	
25	90109-06M86-00	BOLT	0	
26	69G-81925-00-00	TERMINAL	0	
27	90170-06M30-00	NUT	0	
28	90204-06M00-00	WASHER, SPRING	0	
29	6G5-82119-00-00	COVER, LEAD WIRE	0	
30	68T-82150-00-00	FUSE HOLDER ASSY	0	
31	66V-82151-00-00	. . FUSE (10A-BL)	0	
32	68T-82171-01-00	STAY, FUSE BOX	0	
33	67F-2812A-00-00	PULLER, FUSE	0	
34	69G-82563-10-00	TRIM & TILT SWITCH ASSY	0	
35	69G-83773-10-00	BRACKET, SWITCH	0	
36	97980-06220-00	SCREW, WITH WASHER	0	
37	90179-06M24-00	NUT	0	
38	90447-07006-00	TUBE	0	