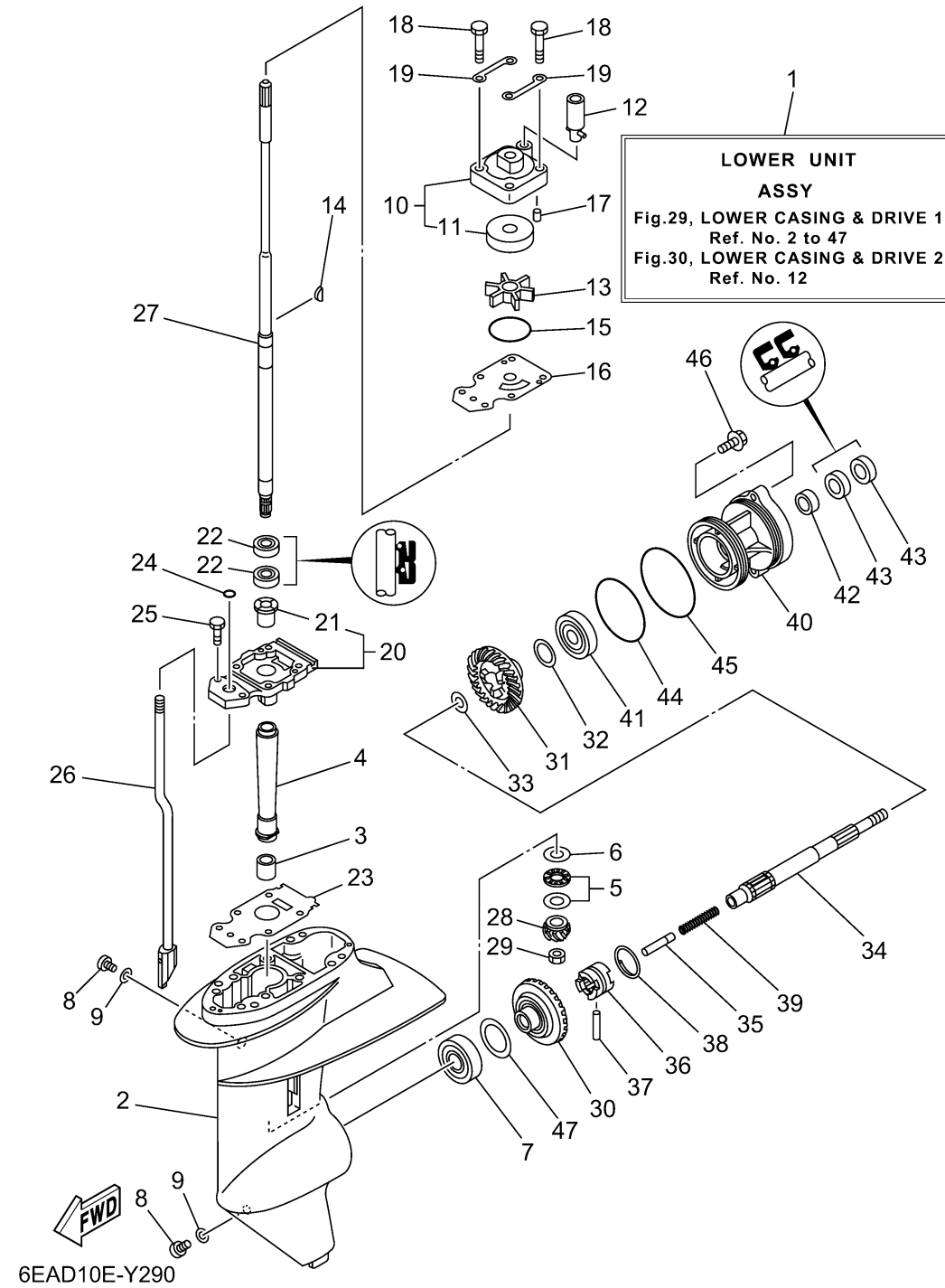
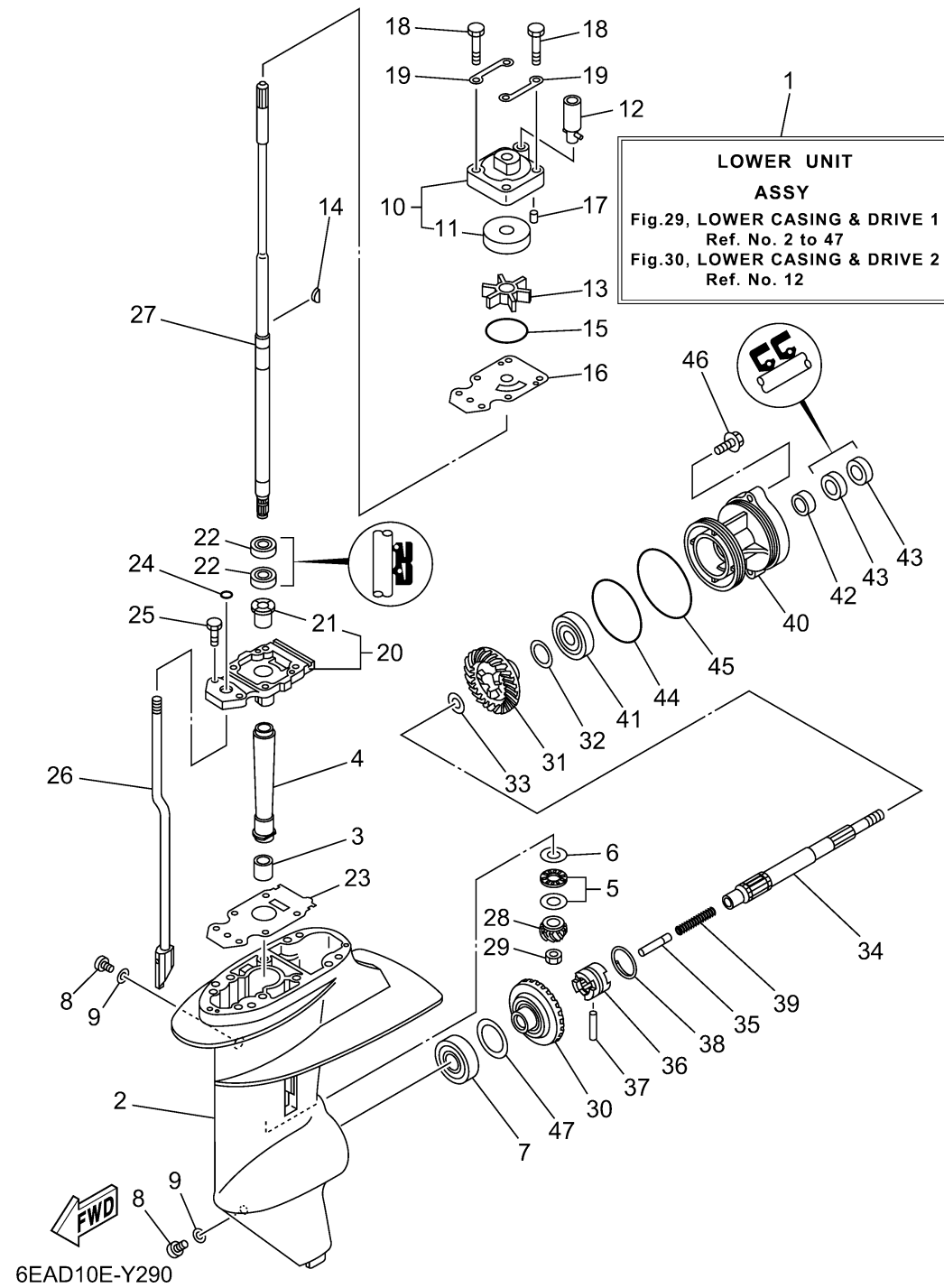


# LOWER CASING DRIVE 1



Ref No.	Part Number	Description	Qty	Remarks
1	69G-45300-14-8D	LOWER UNIT ASSY	1	GRAY, L(21.7")
1	69G-45300-24-8D	LOWER UNIT ASSY	0	GRAY, X(24.4")
1	69G-45300-24-CE	LOWER UNIT ASSY	0	WHITE, X(24.4")
2	66R-45311-01-CE	CASING, LOWER	0	WHITE
2	66R-45311-01-8D	CASING, LOWER	1	GRAY
3	93315-314V8-00	BEARING	1	
4	66R-45536-00-00	SLEEVE, DRIVE SHAFT	1	
5	93341-41416-00	BEARING	1	
6	66R-45587-00-00	SHIM (T:1.13MM)	1	UR
6	66R-45587-10-00	SHIM (T:1.20MM)	1	UR
7	93332-00005-00	BEARING	1	
8	90340-08002-00	PLUG, STRAIGHT SCREW	2	
9	90430-08003-00	.GASKET	2	
10	63V-44301-00-00	WATER PUMP HOUSING COMP.	1	
11	63V-44322-00-00	.INSERT, CARTRIDGE	1	
12	68T-44366-01-00	.DAMPER, WATER SEAL 2	1	
13	63V-44352-01-00	.IMPELLER	1	
14	664-44338-00-00	.KEY, WOODRUFF	1	
15	93210-44398-00	.O-RING	1	
16	68T-44323-00-00	.OUTER PLATE, CARTRIDGE	1	

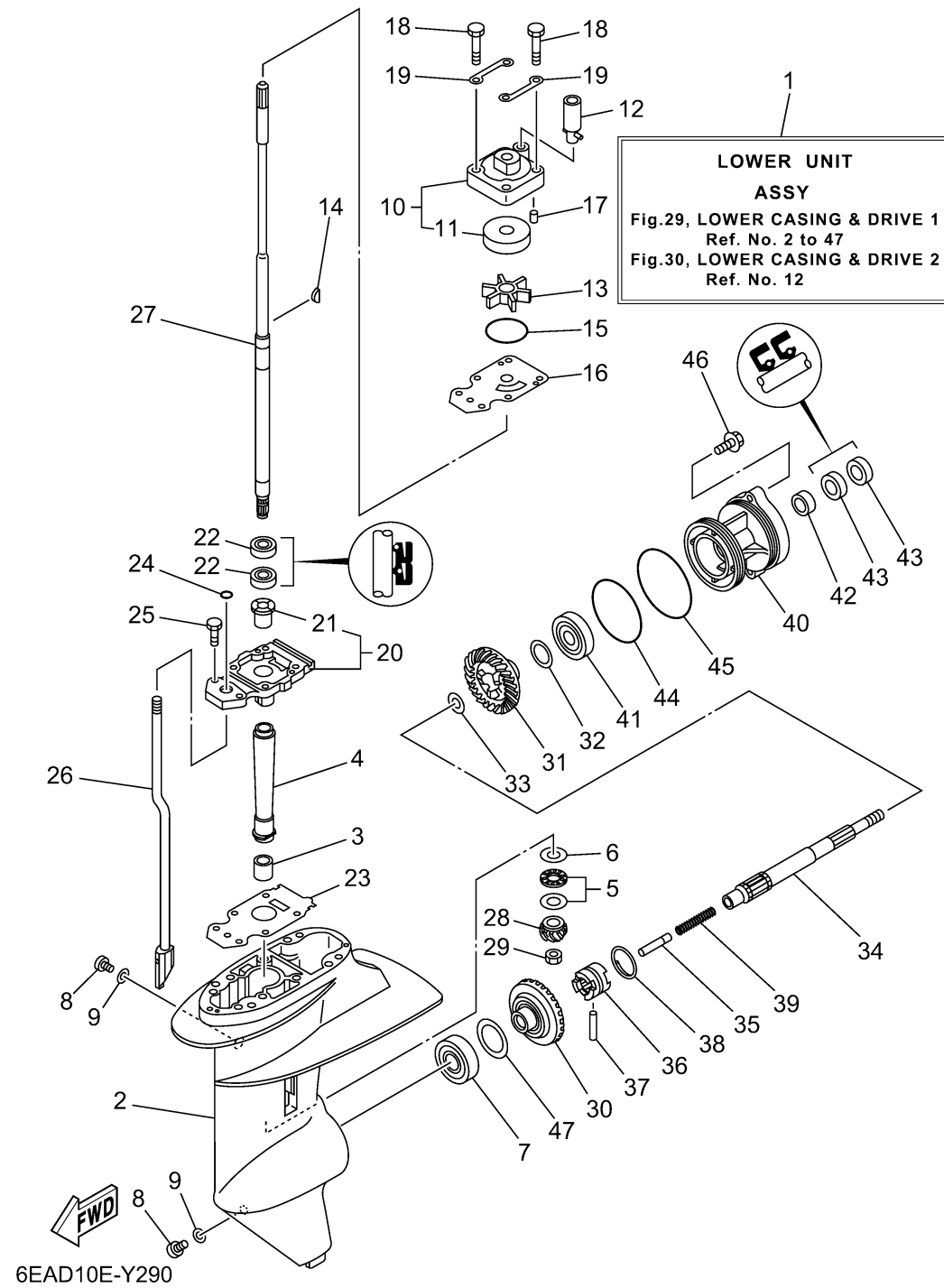
CONTINUED ON NEXT FRAME >



## LOWER CASING DRIVE 1

Ref No.	Part Number	Description	Qty	Remarks
17	93604-12M07-00	PIN, DOWEL	2	
18	97D95-08045-00	.BOLT, HEXAGON DEEP RECESS	4	
19	63V-44328-01-00	PLATE	2	
20	69G-45331-01-CA	HOUSING, BEARING	1	
21	626-45316-09-00	. BUSHING, DRIVE SHAFT	1	
22	93101-20048-00	.OIL SEAL	2	
23	69G-45315-A0-00	.PACKING, LOWER CASING	1	
24	93210-06ME6-00	.O-RING	1	
25	97080-08025-00	BOLT	2	
26	69G-44150-11-00	SHIFT CAM ASSY	1	L(21.7")
26	69G-44150-21-00	SHIFT CAM ASSY	0	X(24.4")
27	69G-45510-10-00	DRIVE SHAFT ASSY	1	L(21.7")
27	69G-45510-20-00	DRIVE SHAFT ASSY	0	X(24.4")
28	66R-45551-00-00	PINION (13T)	1	
29	90179-08M06-00	NUT	1	
30	66R-45560-01-00	GEAR 1 (38T)	1	
31	66R-45571-00-00	GEAR 2 (38T)	1	
32	626-45577-00-00	SHIM (T:0.10MM)	1	UR
32	626-45577-10-00	SHIM (T:0.20MM)	1	UR
32	626-45577-20-00	SHIM (T:0.30MM)	1	UR

CONTINUED ON NEXT FRAME >

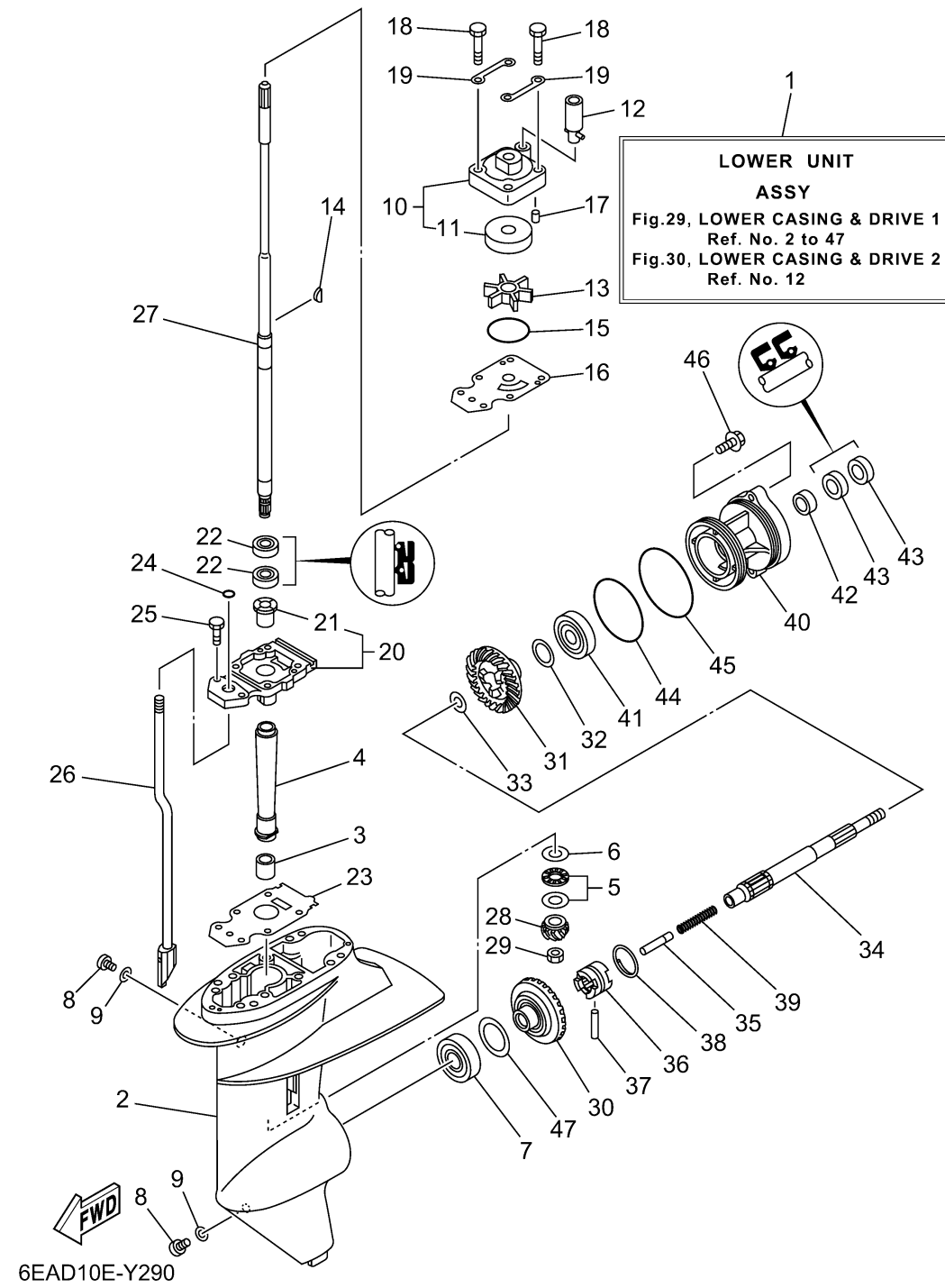


# LOWER CASING DRIVE 1

Ref No.	Part Number	Description	Qty	Remarks
32	626-45577-30-00	SHIM (T:0.40MM)	1	UR
32	626-45577-40-00	SHIM (T:0.50MM)	1	UR
33	90201-17682-00	WASHER, PLATE	1	
34	683-45611-00-00	SHAFT, PROPELLER	1	
35	650-45635-00-00	PLUNGER, SHIFT	1	
36	69G-45631-00-00	CLUTCH, DOG	1	
37	90250-05010-00	PIN, STRAIGHT	1	
38	648-45633-11-00	RING, CROSS PIN	1	
39	90501-14M09-00	SPRING, COMPRESSION	1	
40	66R-45361-00-8D	CAP, LOWER CASING	1	GRAY
40	66R-45361-00-CE	CAP, LOWER CASING	0	WHITE
41	93306-00501-00	BEARING	1	
42	93315-317U2-00	BEARING	1	
43	93101-17054-00	.OIL SEAL	2	
44	93210-74M68-00	.O-RING	1	
45	93210-74316-00	.O-RING	1	
46	97E95-06525-00	BOLT, HEXAGON W/W DEEP RECESS	2	
47	626-45577-40-00	SHIM (T:0.50MM)	1	UR
47	626-45577-30-00	SHIM (T:0.40MM)	1	UR
47	626-45577-20-00	SHIM (T:0.30MM)	1	UR

CONTINUED ON NEXT FRAME >

# LOWER CASING DRIVE 1



Ref No.	Part Number	Description	Qty	Remarks
47	626-45577-10-00	SHIM (T:0.20MM)	1	UR
47	626-45577-00-00	SHIM (T:0.10MM)	1	UR