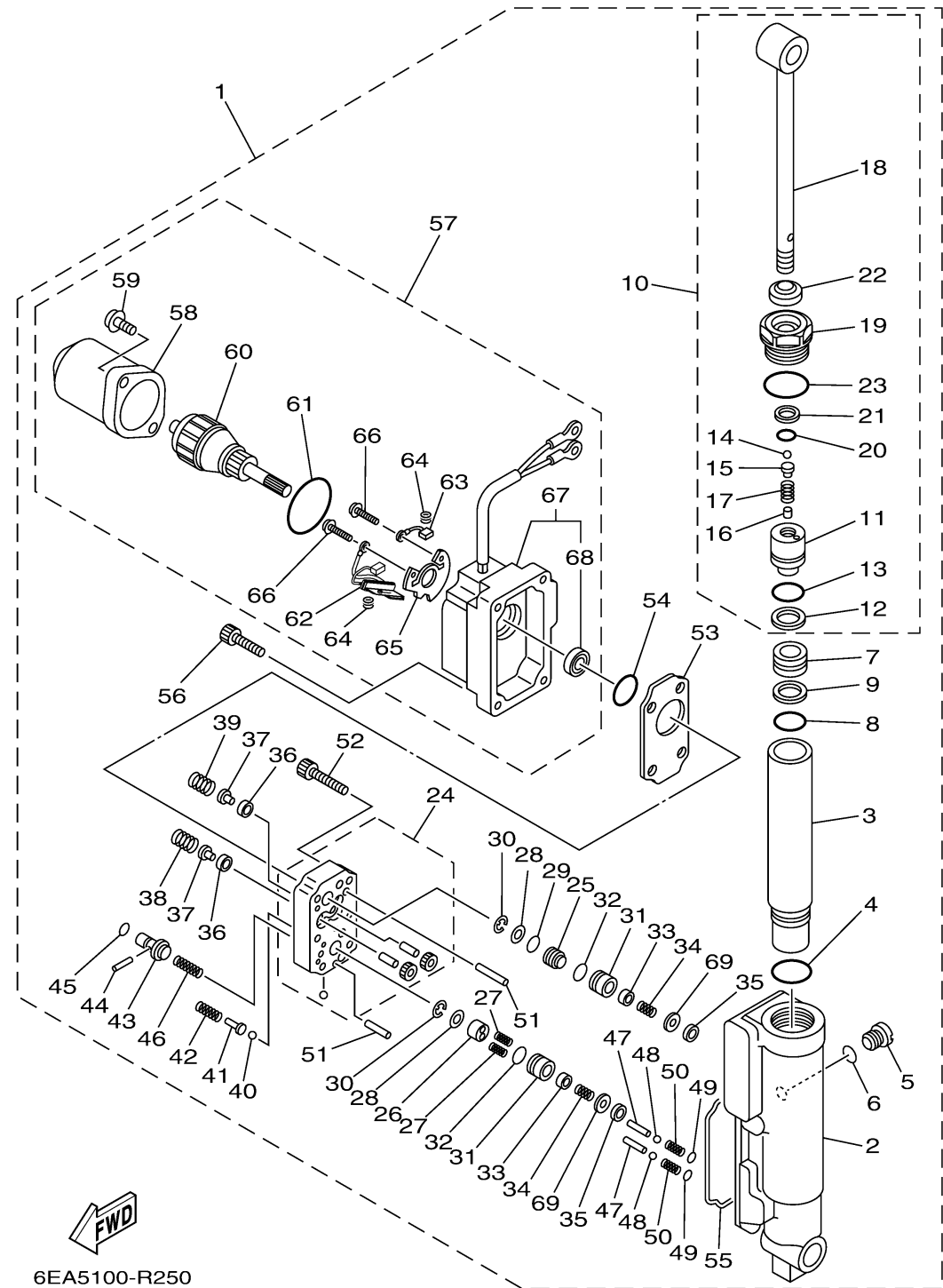


POWER TILT ASSY

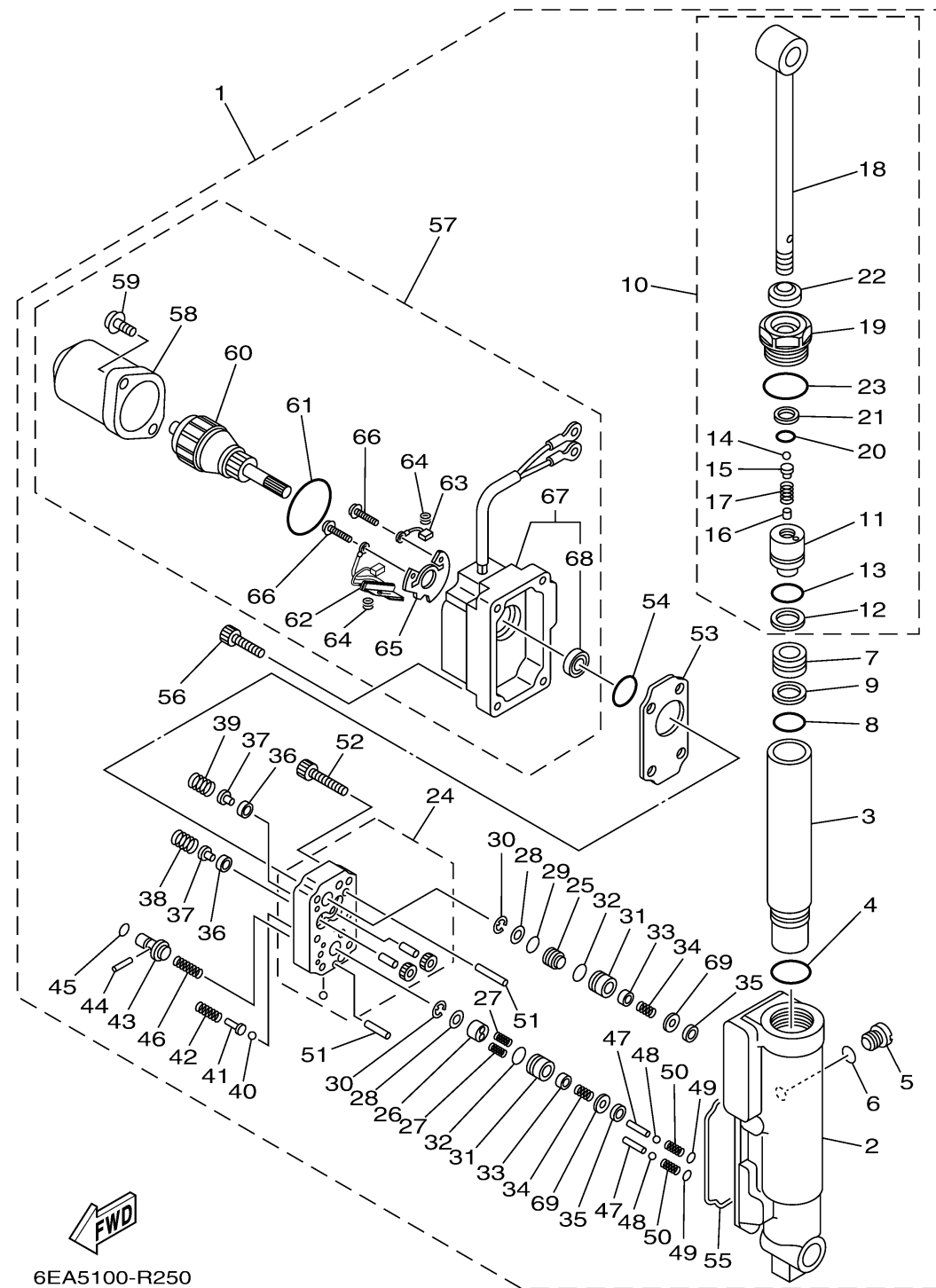


6EA5100-R250

Ref No.	Part Number	Description	Qty	Remarks
1	69G-43840-03-8D	POWER TILT ASSY	1	GRAY
1	69G-43840-03-CE	POWER TILT ASSY	0	WHITE
2	69A-4380K-00-00	. .CYLINDER, TILT SUB ASSY	1	
3	69A-22471-00-00	. .CASE, CYLINDER	1	
4	93210-27666-00	. .O-RING	1	
5	6H1-4388E-11-00	. .PLUG, TAPER SCREW	1	
6	93210-07003-00	. .O-RING	1	
7	69A-43814-00-00	. .PISTON, FREE	1	
8	93210-21276-00	. .O-RING	1	
9	69A-43872-00-00	. .RING, BACK UP	1	
10	69A-43810-00-00	. .TILT PISTON SUB ASSY	1	
11	69A-4380D-00-00	. . .PISTON COMP.	1	
12	93210-21276-00	. . .O-RING	1	
13	69A-43872-00-00	. . .RING, BACK UP	1	
14	93505-32038-00	. . .BALL	1	
15	65W-4386A-00-00	. . .PIN, ABSORBER VALVE	1	
16	93604-06136-00	. . .PIN, DOWEL	1	
17	69A-43857-00-00	. . .SPRING, ABSORBER VALVE	1	
18	69A-43801-00-00	. . .ROD	1	
19	69A-43811-01-00	. . .SCREW, CYLINDER END	1	

CONTINUED ON NEXT FRAME >

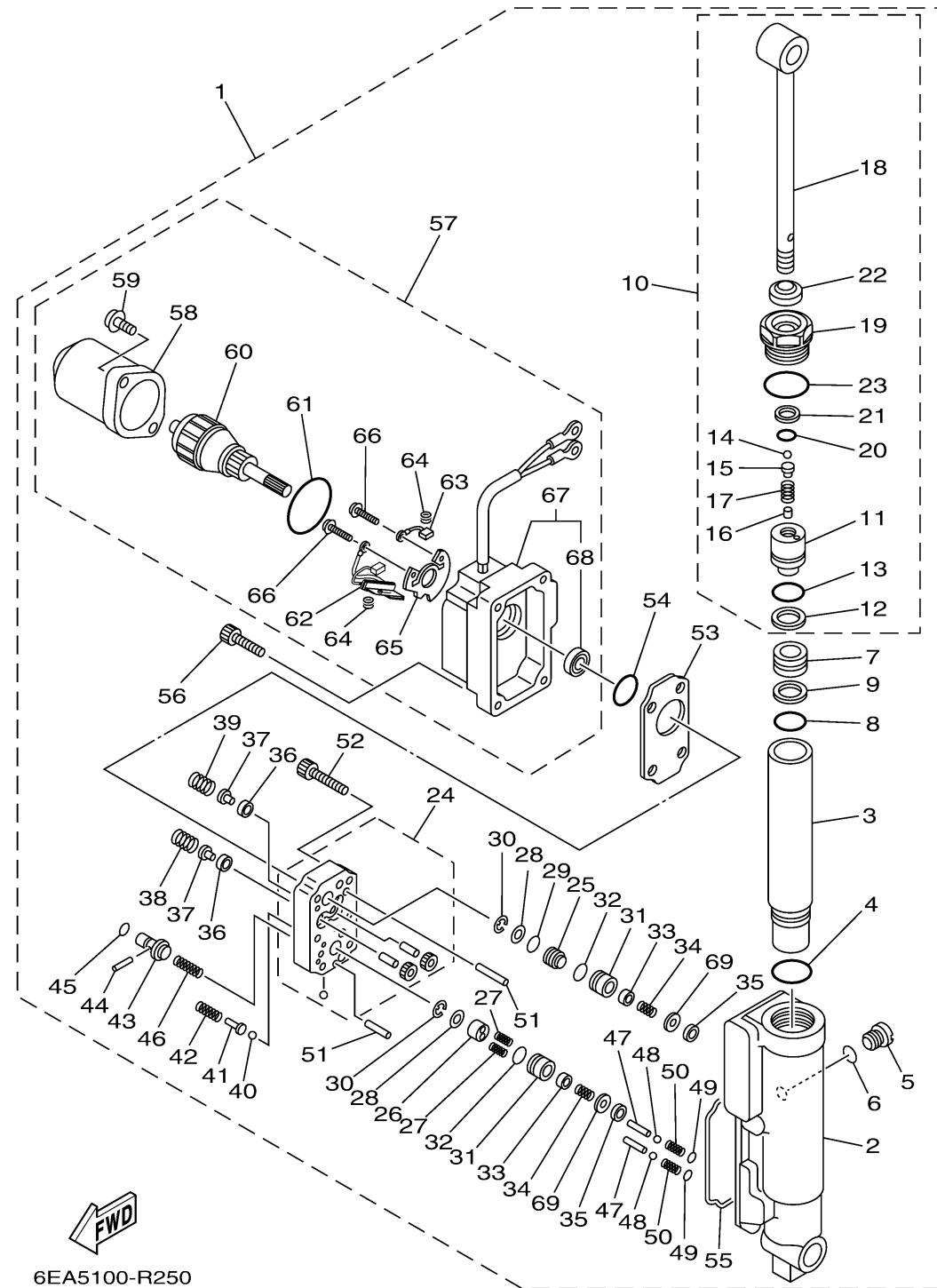
POWER TILT ASSY



Ref No.	Part Number	Description	Qty	Remarks
20	6H1-43866-01-00	...O-RING	1	
21	69A-43871-00-00	...RING, BACK UP	1	
22	69A-43812-00-00	...SEAL, DUST	1	
23	69A-43869-00-00	...O-RING	1	
24	69A-43830-00-00	..GEAR PUMP ASSY	1	
25	69A-43841-00-00	..PISTON, SHUTTLE	1	
26	69A-4384M-00-00	..PISTON, SHUTTLE 2	1	
27	62Y-43894-00-00	..SPRING, SHUTTLE RETURN	2	
28	69A-4384F-00-00	..SEAL, MAIN VALVE	2	
29	6H1-43883-00-00	..O-RING	1	
30	99002-03600-00	..CIRCLIP	2	
31	69G-4382G-00-00	..VALVE SEAT	2	
32	93210-12N52-00	...O-RING	2	
33	6T4-43808-00-00	..SEAT VALVE COMP. 1	2	
34	69G-43853-00-00	..SPRING, MAIN VALVE	2	
35	69J-4381C-00-00	...FILTER 3	2	
36	6H1-4384G-11-00	..SEAL, RELIEF VALVE	2	
37	6H1-43844-10-00	..PIN, VALVE SUPPORT	2	
38	69A-43855-00-00	..SPRING, UP RELIEF	1	
39	6H1-43856-10-00	..SPRING, DOWN RELIEF	1	

CONTINUED ON NEXT FRAME >

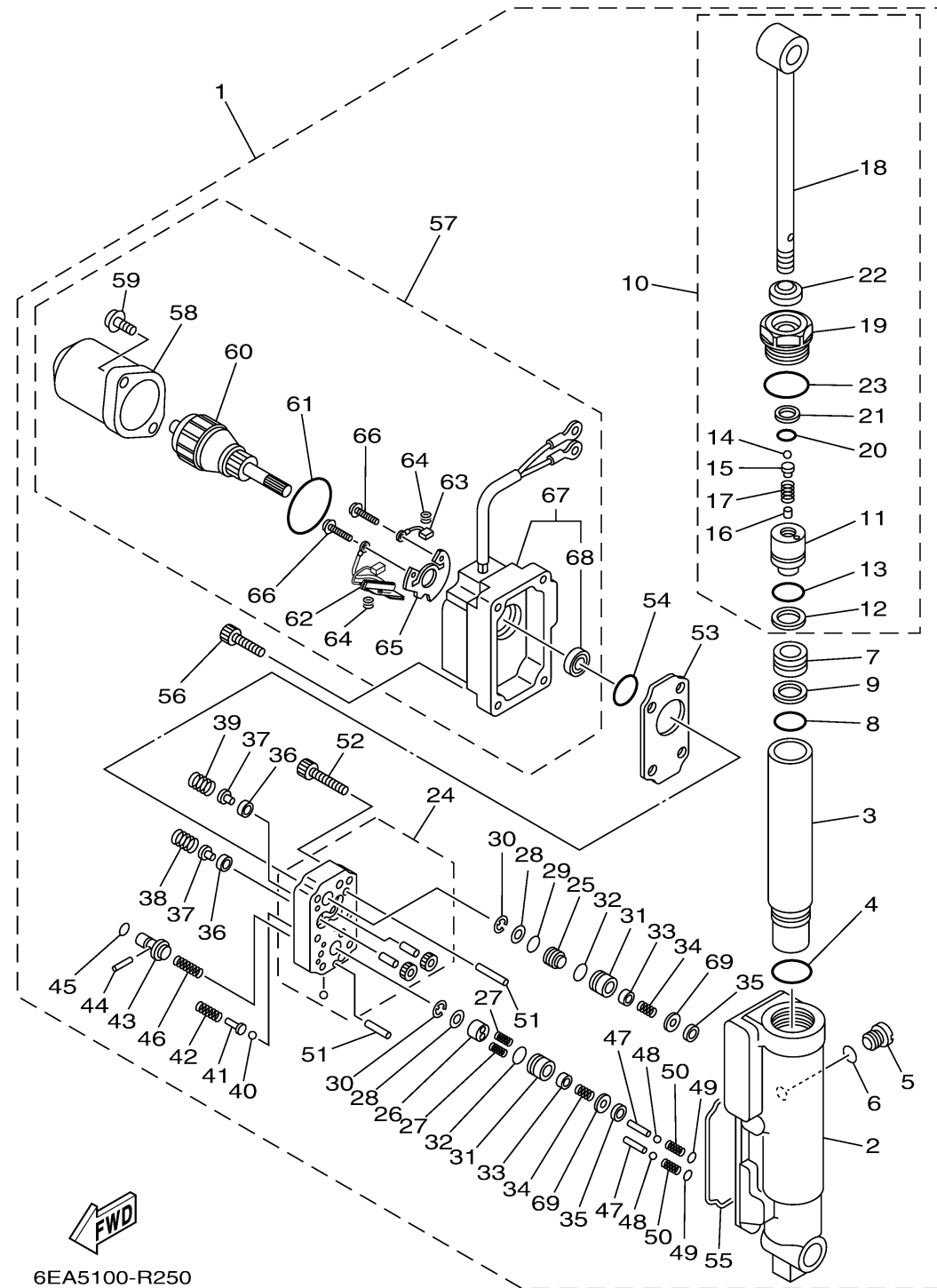
POWER TILT ASSY



Ref No.	Part Number	Description	Qty	Remarks
40	93501-08001-00	..BALL	2	
41	69A-4386A-00-00	..PIN, ABSORBER VALVE	2	
42	69A-43824-00-00	..SPRING, DOWN RELIEF 2	2	
43	69A-43848-10-00	..ROD, MANUAL RELEASE	1	
44	93602-15250-00	..PIN, DOWEL	1	
45	93210-06001-00	..O-RING	1	
46	69A-43854-00-00	..SPRING, MANUAL RELEASE	1	
47	69A-4381G-00-00	..PIN 1	2	
48	93501-08001-00	..BALL	2	
49	6H1-43883-00-00	..O-RING	2	
50	69A-4384H-00-00	..SPRING	2	
51	93606-14081-00	..PIN, DOWEL	2	
52	91312-05025-00	..BOLT, HEXAGON SOCKET HEAD	6	
53	69A-43816-01-00	..FILTER 1	1	
54	N35-43862-10-00	..O-RING	1	
55	69A-23129-00-00	..GASKET, DRAIN PLUG	1	
56	69A-43878-00-00	..BOLT, SOCKET	4	
57	69G-43880-10-00	..MOTOR ASSY	1	
58	6AH-43804-00-00	...STATOR ASSY	1	
59	67C-43879-10-00	...SCREW, WITH WASHER	2	

CONTINUED ON NEXT FRAME >

POWER TILT ASSY



Ref No.	Part Number	Description	Qty	Remarks
60	67C-43805-11-00	...ARMATURE ASSY	1	
61	67C-43862-10-00	...O-RING	1	
62	67C-82181-10-00	...CIRCUIT BREAKER COMP.	1	
63	67C-43892-10-00	...BRUSH 2	1	
64	67C-4386K-10-00	...SPRING, BRUSH	2	
65	67C-4380F-10-00	...PLATE, BRUSH HOLDER	1	
66	97602-04316-00	...SCREW, PAN HEAD WITH WASHER	2	
67	69G-43881-11-00	...FRAME, END	1	
68	67C-43882-10-00	...OIL SEAL	1	
69	69G-4388F-00-00	..SPACER	2	