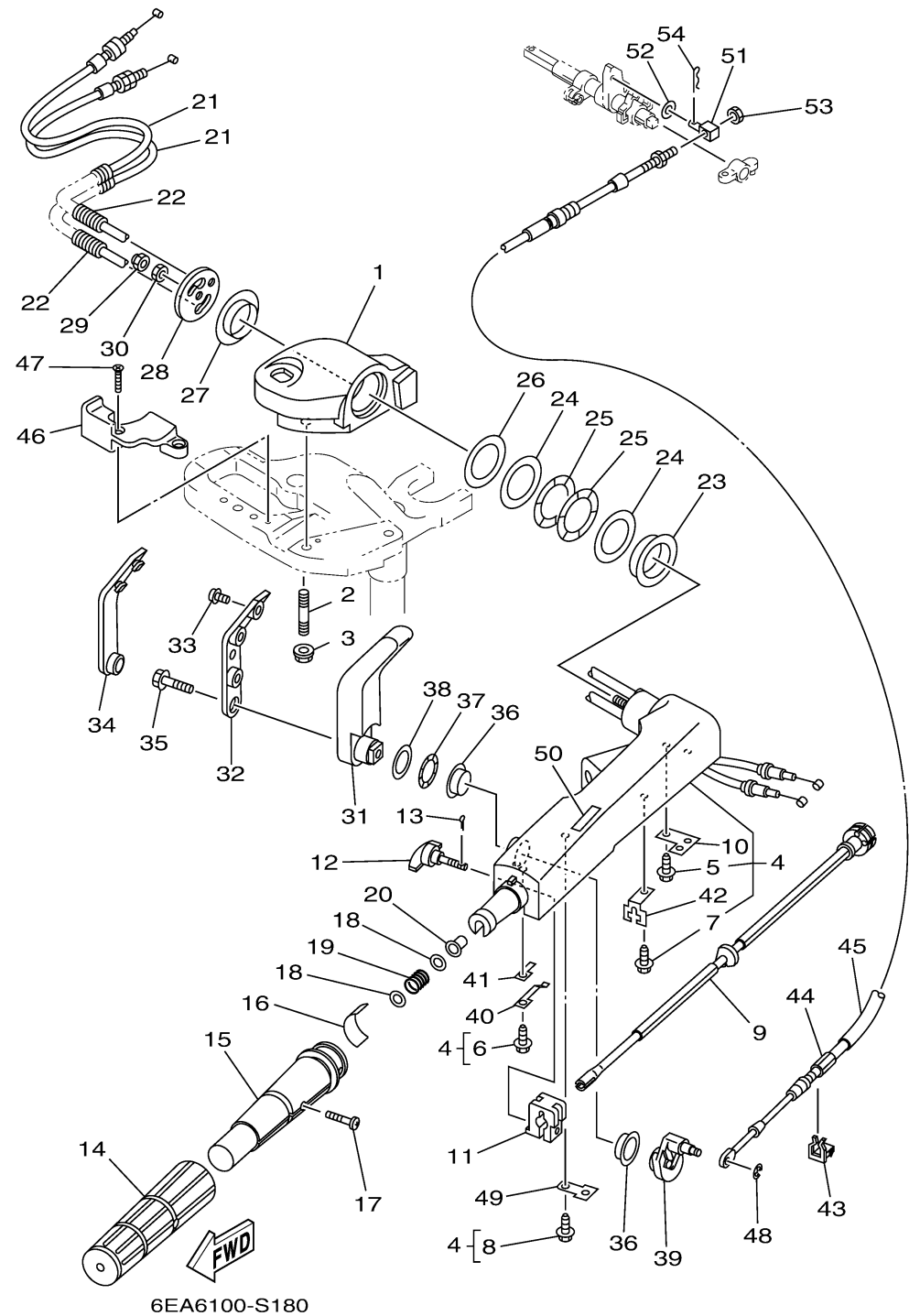


STEERING

Ref No.	Part Number	Description	Qty	Remarks
1	6AU-42121-10-8D	BRACKET	1	
2	90116-10040-00	BOLT, STUD	2	
3	90179-10M33-00	NUT	2	
4	69C-42101-01-8D	HANDLE, STEERING	1	
5	90109-06M86-00	. BOLT	2	
6	90109-06M80-00	. .BOLT	1	
7	90109-06M80-00	. .BOLT	1	
8	90109-06M80-00	. .BOLT	1	
9	68T-42138-01-00	LEVER, THROTTLE	1	
10	69A-42159-00-00	STAY	1	
11	6G1-42126-00-00	FRICTION, STEERING HANDLE GRIP	1	
12	65W-42125-00-00	BOLT, FRICTION ADJUSTING	1	
13	91490-16010-00	PIN. COTTER	1	
14	67D-42177-01-00	RUBBER, HANDLE	1	
15	67D-42119-01-00	GRIP, STEERING HANDLE	1	
16	6DR-42137-00-00	INDICATOR, THROTTLE	1	
17	90152-05011-00	SCREW, COUNTERSUNK	1	
18	90201-10M02-00	.WASHER, PLATE	2	
19	90501-23215-00	SPRING, COMPRESSION	1	
20	90386-08032-00	BUSH	1	

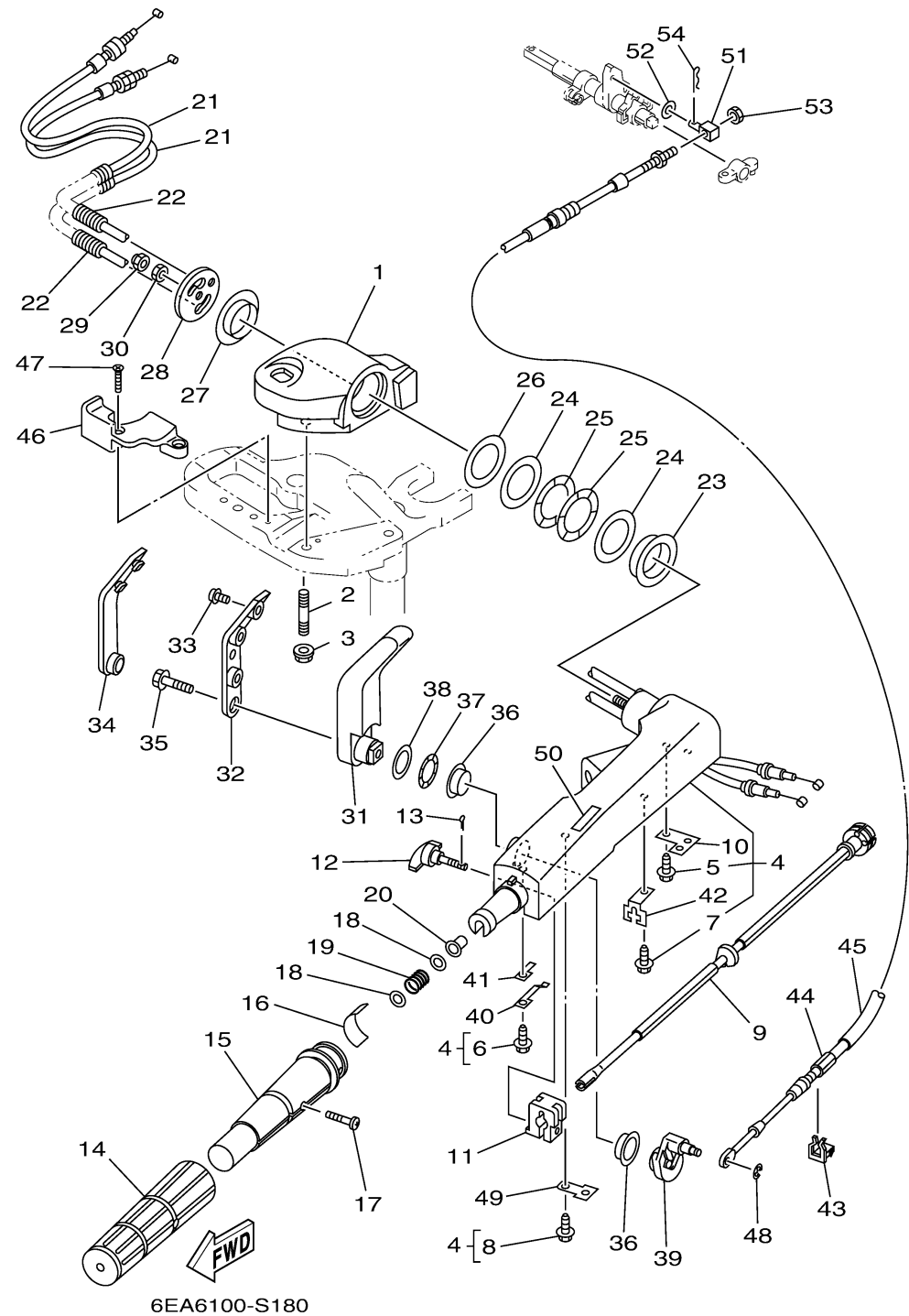
CONTINUED ON NEXT FRAME >



STEERING

Ref No.	Part Number	Description	Qty	Remarks
21	6DR-26301-00-00	THROTTLE CABLE ASSY	2	
22	90447-07005-00	TUBE	2	
23	66R-42171-00-00	BUSHING	1	
24	90201-43M00-00	WASHER, PLATE	2	
25	90206-43M22-00	WASHER, WAVE	2	
26	90202-43M57-00	WASHER, PLATE	1	
27	90386-40M99-00	BUSH	1	
28	65W-42131-01-00	COVER, HANDLE STEERING	1	
29	95780-10300-00	NUT, FLANGE	1	
30	95380-10700-00	NUT	1	
31	66R-44111-00-8D	HANDLE, GEAR SHIFT	1	
32	66R-44173-00-00	LEVER, SHIFT CONTROL	1	
33	90159-06M18-00	SCREW, WITH WASHER	3	
34	66R-42129-00-00	BUSHING, RUBBER	1	
35	97E95-08530-00	BOLT, HEXAGON W/W DEEP RECESS	1	
36	90386-26MA3-00	BUSH	2	
37	90206-26M25-00	WASHER, WAVE	1	
38	90202-26M59-00	WASHER, PLATE	1	
39	6DR-44113-A0-00	CAM PLATE, HANDLE	1	
40	66R-44116-00-00	SPRING	1	

CONTINUED ON NEXT FRAME >



STEERING

Ref No.	Part Number	Description	Qty	Remarks
41	66R-44118-00-00	BRACKET	1	
42	66R-48538-00-00	CLAMP, CABLE 1	1	
43	63D-48538-00-00	CLAMP, CABLE 1	1	
44	68T-48321-01-00	CABLE	1	
45	90446-15002-00	HOSE	1	
46	6DR-82594-00-00	CLAMP	1	
47	90151-05003-00	SCREW, COUNTERSUNK	2	
48	99080-04600-00	CIRCLIP	1	
49	69C-44114-00-00	STOPPER	1	
50	6X3-44191-00-00	INDICATOR, SHIFT	1	
51	66R-48344-01-00	CABLE END, REMOTE CONTROL	1	
52	90201-06117-00	WASHER, PLATE	1	
53	90170-05M38-00	NUT	1	
54	91490-20012-00	PIN. COTTER	1	