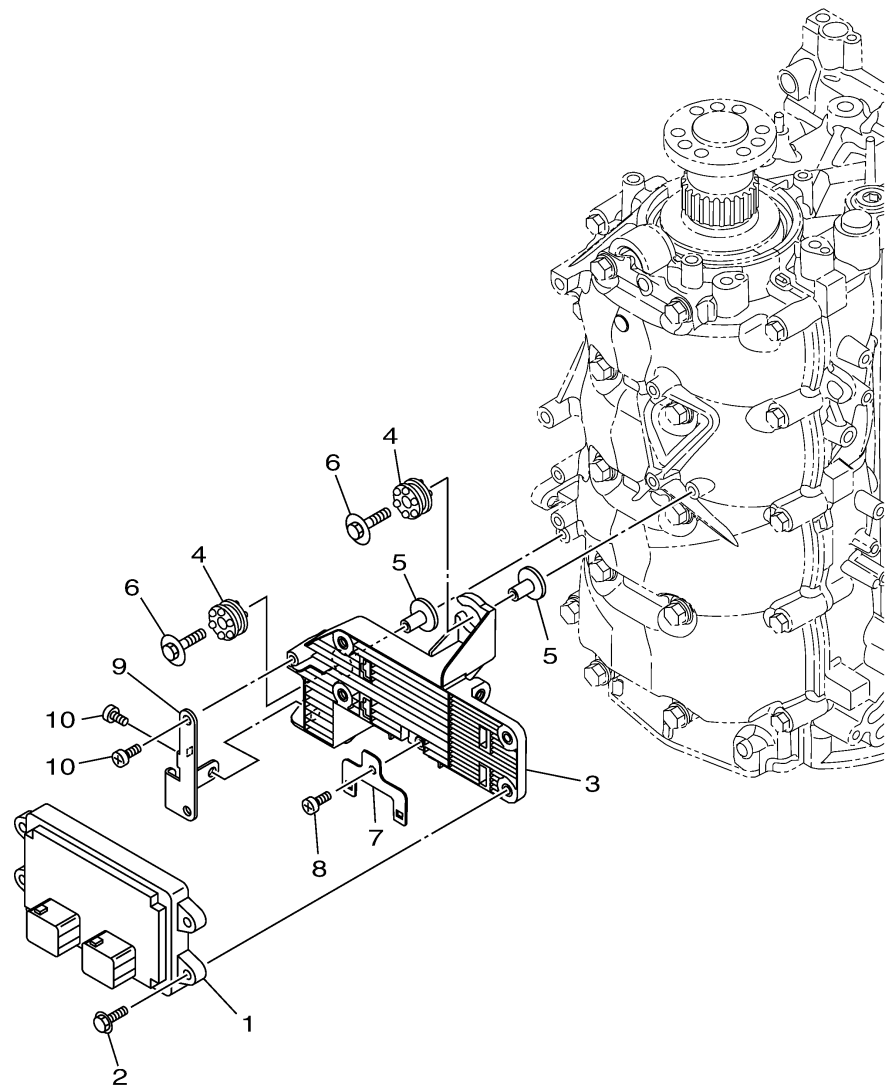


# ELECTRICAL 1

Ref No.	Part Number	Description	Qty	Remarks
1	6FN-8591A-11-00	ENGINE CONTROL UNIT ASSY	1	
2	97E95-06520-00	BOLT, HEXAGON W/W DEEP RECESS	4	
3	6EM-81948-01-00	BRACKET	1	
4	60V-85564-00-00	GROMMET	2	
5	90387-06176-00	COLLAR	2	
6	90119-06328-00	BOLT, WITH WASHER	2	
7	6C5-8257V-00-00	PLATE, CONNECTOR	1	
8	97780-60620-00	SCREW, TAPPING	1	
9	6EK-85548-00-00	HOLDER	1	
10	97780-60620-00	SCREW, TAPPING	2	



6EM5100-T160