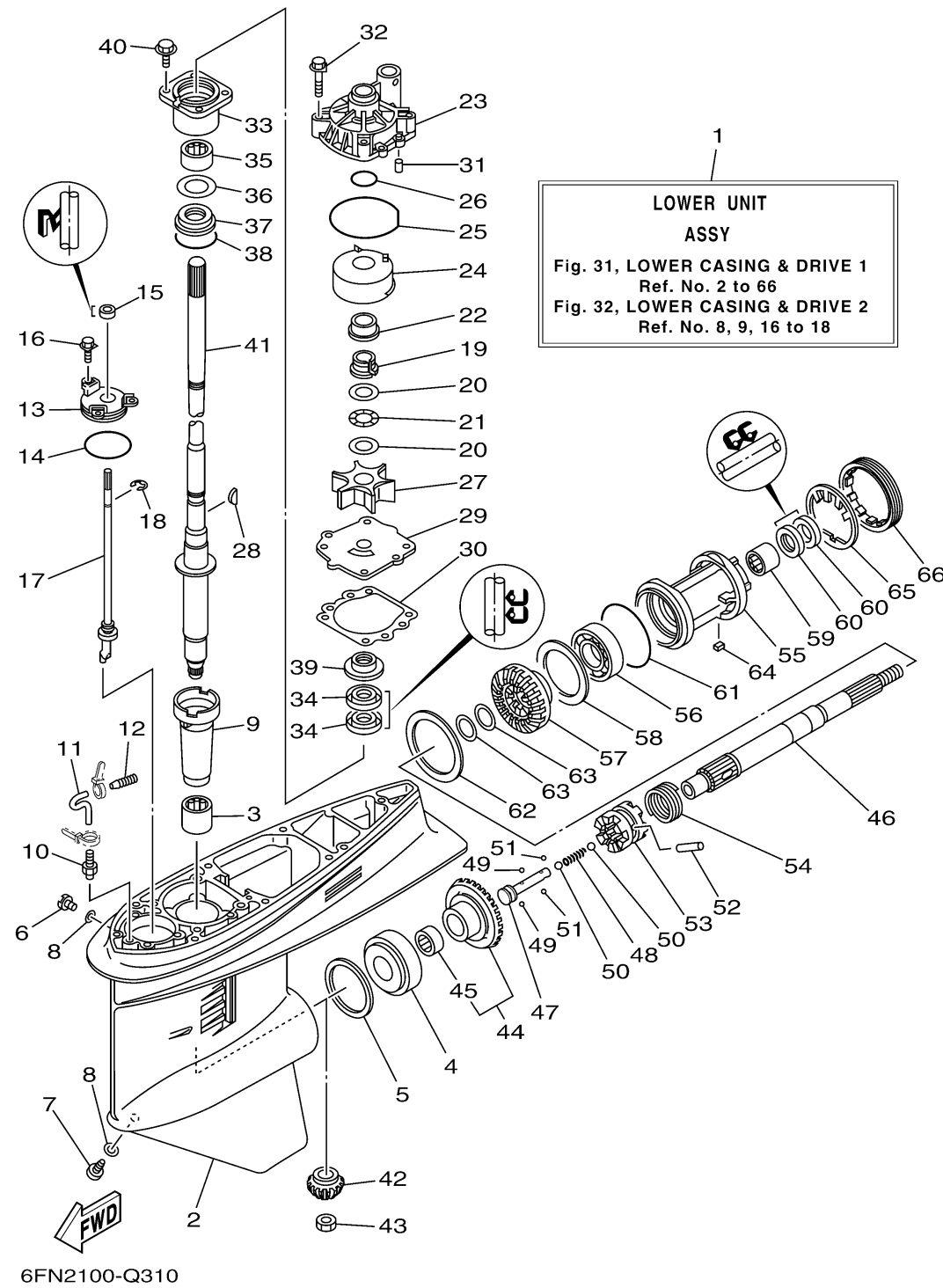


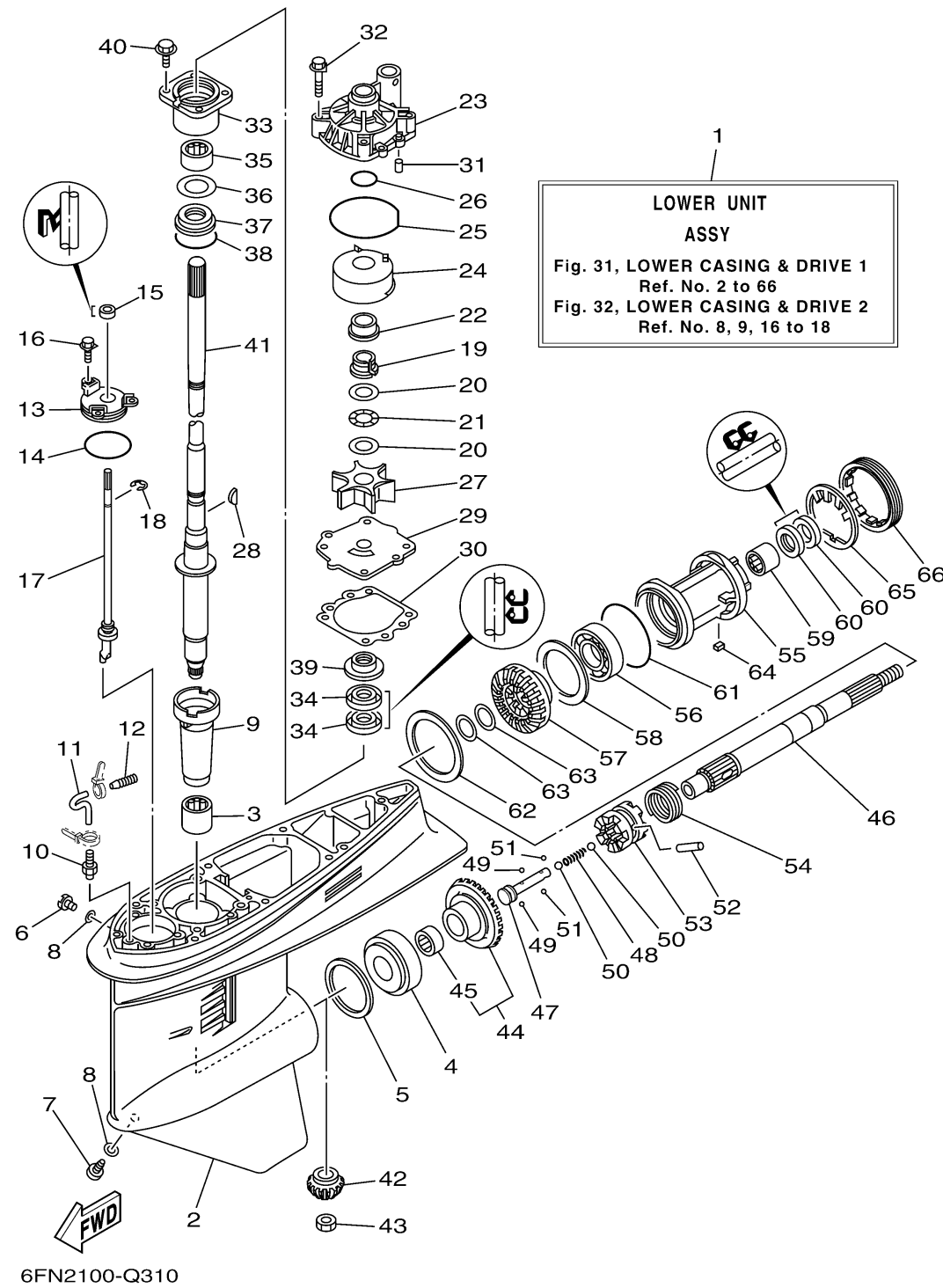
LOWER CASING DRIVE 1



Ref No.	Part Number	Description	Qty	Remarks
1	6FN-45300-03-NA	LOWER UNIT ASSY	1	L(20.3")
1	6FN-45300-13-NA	LOWER UNIT ASSY	0	X(25.3")
2	6E5-45301-07-NA	CASING, LOWER	1	
3	93315-628U9-00	BEARING	1	
4	93332-000U7-00	BEARING	1	
5	6E5-45567-01-00	SHIM (T:0.10MM)	1	UR
5	6E5-45567-10-00	SHIM (T:0.12MM)	1	UR
5	6E5-45567-20-00	SHIM (T:0.15MM)	1	UR
5	6E5-45567-30-00	SHIM (T:0.18MM)	1	UR
5	6E5-45567-40-00	SHIM (T:0.30MM)	1	UR
5	6E5-45567-50-00	SHIM (T:0.40MM)	1	UR
5	6E5-45567-60-00	SHIM (T:0.50MM)	1	UR
6	90340-08002-00	PLUG, STRAIGHT SCREW	1	
7	688-45341-10-00	PLUG, DRAIN	1	
8	90430-08003-00	.GASKET	2	
9	6E5-45536-00-00	SLEEVE, DRIVE SHAFT	1	
10	6E5-45378-00-00	NIPPLE, HOSE	1	
11	90445-07ME8-00	HOSE (L80)	1	L(20.3")
11	90445-07ME9-00	HOSE (L120)	0	X(25.3")
12	6E5-83558-10-00	END, NIPPLE	1	

CONTINUED ON NEXT FRAME >

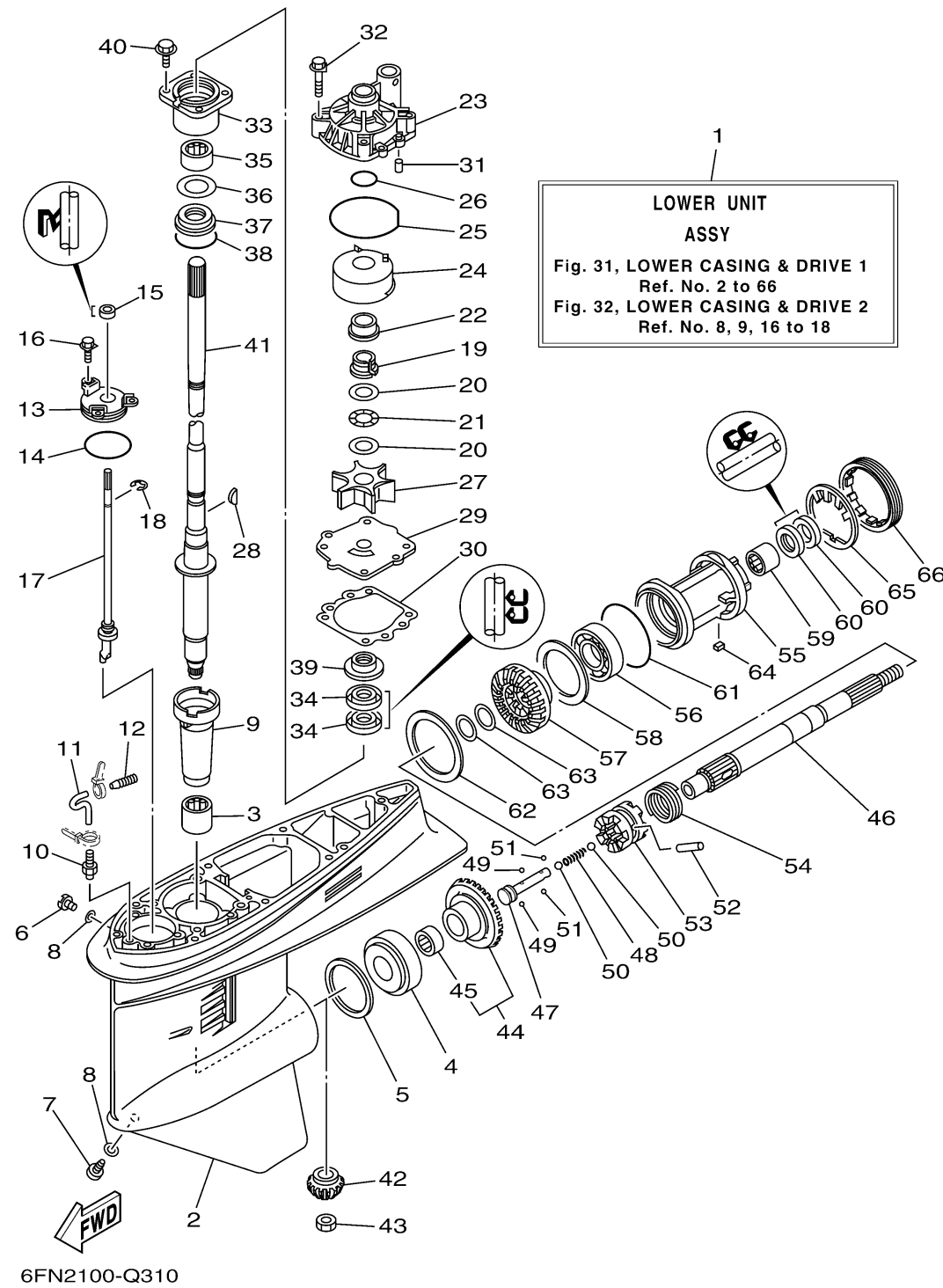
LOWER CASING DRIVE 1



Ref No.	Part Number	Description	Qty	Remarks
13	6E5-45321-00-00	PLATE	1	
14	93210-58144-00	.O-RING	1	
15	93106-09014-00	.OIL SEAL	1	
16	90119-06286-00	BOLT, WITH WASHER	3	
17	6E5-44150-03-00	SHIFT CAM ASSY	1	
18	99001-08600-00	CIRCLIP	1	
19	61A-45538-00-00	SPACER 1	1	
20	90201-22M01-00	WASHER, PLATE	2	
21	90206-22M19-00	WASHER, WAVE	1	
22	61A-45527-00-00	COLLAR, DRIVE SHAFT	1	
23	61A-44311-01-00	HOUSING, WATER PUMP	1	
24	61A-44322-02-00	.INSERT, CARTRIDGE	1	
25	93210-86M38-00	.O-RING	1	
26	93210-37160-00	.O-RING	1	
27	6E5-44352-01-00	.IMPELLER	1	
28	90280-04M05-00	.KEY, WOODRUFF	1	
29	6EK-44323-00-00	.OUTER PLATE, CARTRIDGE	1	
30	6E5-44315-A0-00	.GASKET, WATER PUMP	1	
31	93606-12019-00	.PIN, DOWEL	2	
32	90119-08191-00	.BOLT, WITH WASHER	4	

CONTINUED ON NEXT FRAME >

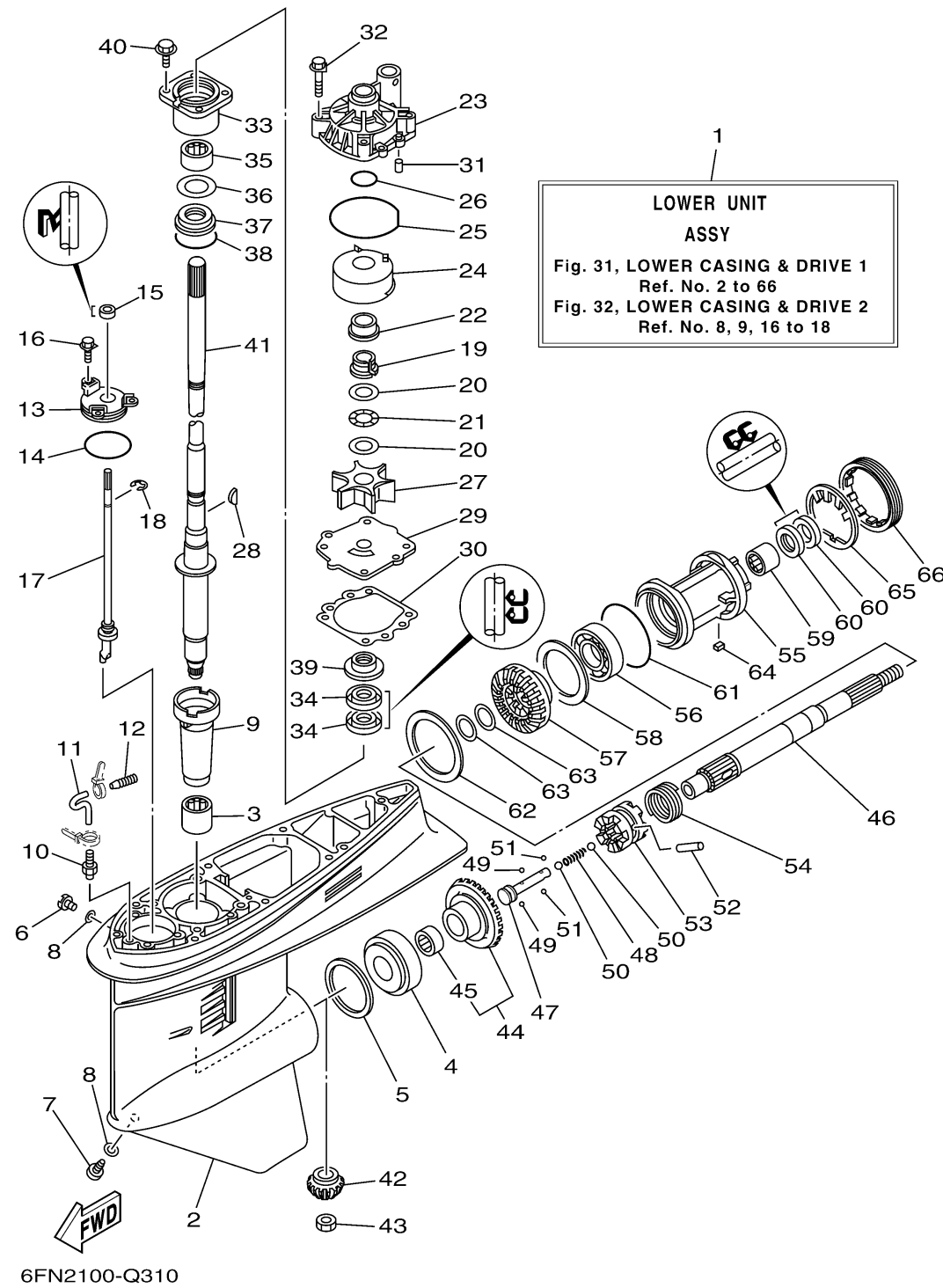
LOWER CASING DRIVE 1



Ref No.	Part Number	Description	Qty	Remarks
33	6E5-45331-00-9S	HOUSING, BEARING	1	
34	93101-28M16-00	.OIL SEAL	2	
35	93317-330U2-00	BEARING	1	
36	6E5-45587-01-00	SHIM (T:0.10MM)	1	UR
36	6E5-45587-10-00	SHIM (T:0.12MM)	1	UR
36	6E5-45587-20-00	SHIM (T:0.15MM)	1	UR
36	6E5-45587-30-00	SHIM (T:0.18MM)	1	UR
36	6E5-45587-40-00	SHIM (T:0.30MM)	1	UR
36	6E5-45587-50-00	SHIM (T:0.40MM)	1	UR
36	6E5-45587-60-00	SHIM (T:0.50MM)	1	UR
37	93341-930V2-00	BEARING	1	
38	93210-55M14-00	.O-RING	1	
39	6E5-45344-00-00	COVER, OIL SEAL	1	
40	97E95-08525-00	BOLT, HEXAGON W/W DEEP RECESS	4	
41	6EK-45501-00-00	DRIVE SHAFT COMP.	1	L(20.3")
41	6EK-45501-10-00	DRIVE SHAFT COMP.	0	X(25.3")
42	6EM-45551-00-00	PINION (13T)	1	
43	90170-16M01-00	NUT	1	
44	6EM-45560-00-00	GEAR 1 (28T)	1	
45	93315-425U7-00	.BEARING	1	

CONTINUED ON NEXT FRAME >

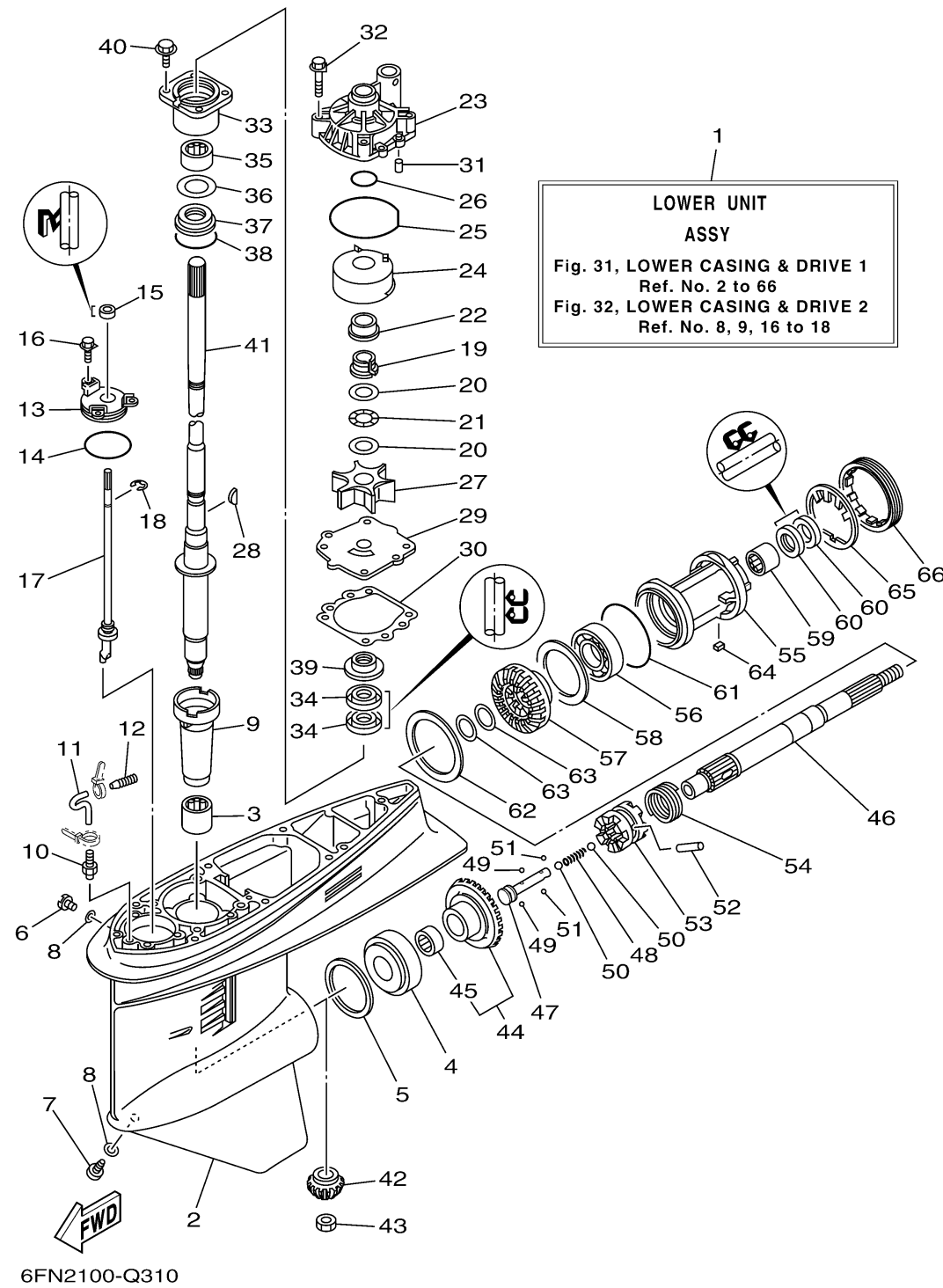
LOWER CASING DRIVE 1



Ref No.	Part Number	Description	Qty	Remarks
46	6E5-45611-01-00	SHAFT, PROPELLER	1	
47	6E5-45634-02-00	SLIDE, SHIFT	1	
48	90501-16M37-00	SPRING, COMPRESSION	1	
49	93507-32009-00	BALL	2	
50	93511-32017-00	BALL	2	
51	93503-16003-00	BALL	2	
52	90250-08M07-00	PIN, STRAIGHT	1	
53	68V-45631-02-00	CLUTCH, DOG	1	
54	6E5-45633-01-00	RING, CROSS PIN	1	
55	6E5-45332-00-CA	HOUSING, BEARING	1	
56	93306-208U0-00	BEARING	1	
57	68V-45571-00-00	GEAR 2 (28T)	1	
58	6E5-45576-00-00	WASHER, THRUST 2	1	
59	93315-430U8-00	BEARING	1	
60	93101-30M17-00	.OIL SEAL	2	
61	93210-86M39-00	.O-RING	1	
62	6L6-45577-00-00	SHIM (T:0.10MM)	1	UR
62	6L6-45577-10-00	SHIM (T:0.12MM)	1	UR
62	6L6-45577-20-00	SHIM (T:0.15MM)	1	UR
62	6L6-45577-30-00	SHIM (T:0.18MM)	1	UR

CONTINUED ON NEXT FRAME >

LOWER CASING DRIVE 1



Ref No.	Part Number	Description	Qty	Remarks
62	6L6-45577-40-00	SHIM (T:0.30MM)	1	UR
62	6L6-45577-50-00	SHIM (T:0.40MM)	1	UR
62	6L6-45577-60-00	SHIM (T:0.50MM)	1	UR
63	90201-30M92-00	WASHER, PLATE	2	
64	90282-04010-00	KEY, STRAIGHT	1	
65	688-45383-02-00	WASHER, CLAW	1	
66	688-45384-02-00	NUT	1	