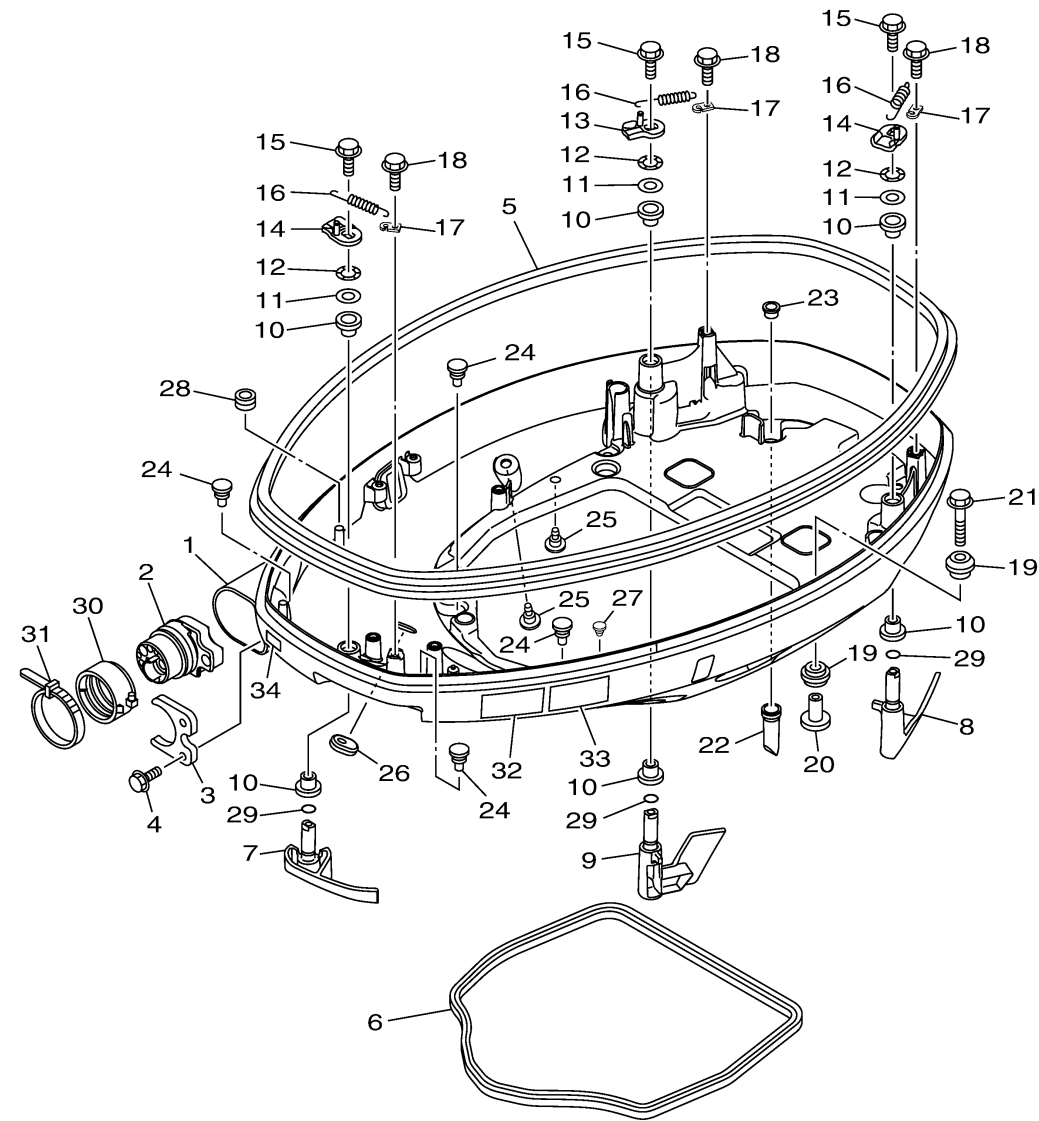


BOTTOM COWLING 1

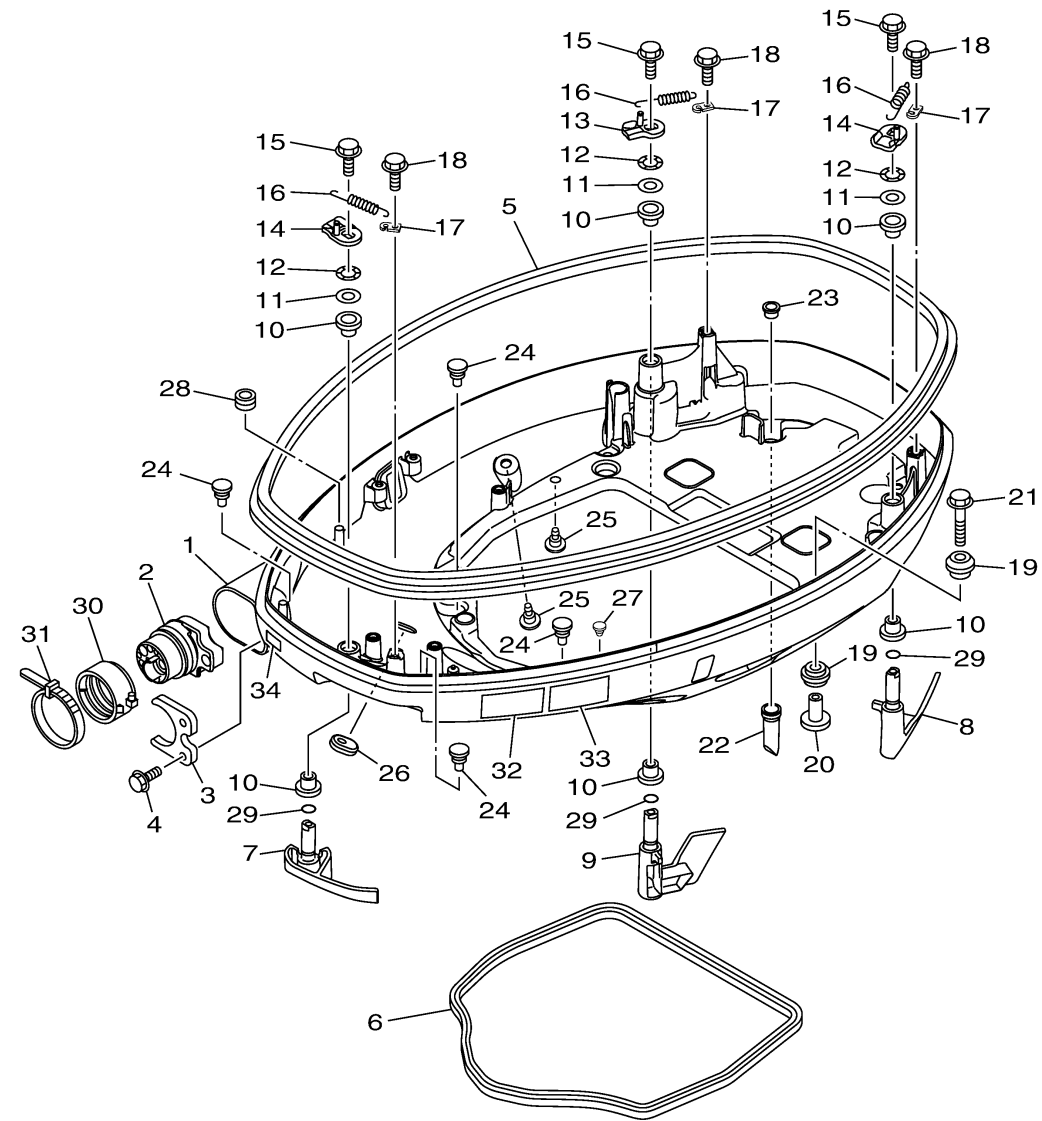


| Ref No. | Part Number | Description | Qty | Remarks |
|---------|-----------------|--------------------------|-----|---------|
| 1 | 6DA-42710-00-8D | BOTTOM COWLING ASSY | 1 | |
| 2 | 6DA-42725-03-00 | GROMMET | 1 | |
| 3 | 6CB-42761-00-00 | STOPPER | 1 | |
| 4 | 95D95-06014-00 | BOLT, FLANGE DEEP RECESS | 2 | |
| 5 | 6DA-42615-00-00 | SEAL | 1 | |
| 6 | 63P-42716-01-00 | RUBBER SEAL 1 | 1 | |
| 7 | 6DA-42815-01-8D | LEVER, CLAMP 1 | 1 | |
| 8 | 6DA-42816-02-8D | LEVER, CLAMP 2 | 1 | |
| 9 | 6DA-42817-02-8D | LEVER, CLAMP 3 | 1 | |
| 10 | 90386-15M73-00 | BUSH | 6 | |
| 11 | 90201-156J2-00 | WASHER, PLATE | 3 | |
| 12 | 90206-15M18-00 | WASHER, WAVE | 3 | |
| 13 | 6CB-42818-00-00 | LEVER, CLAMP 4 | 1 | |
| 14 | 6CB-42819-00-00 | LEVER, CLAMP 5 | 2 | |
| 15 | 95D95-08012-00 | BOLT, FLANGE DEEP RECESS | 3 | |
| 16 | 90506-22001-00 | SPRING, TENSION | 3 | |
| 17 | 66T-43144-00-00 | HOOK, SPRING | 3 | |
| 18 | 95D95-06012-00 | BOLT, FLANGE DEEP RECESS | 3 | |
| 19 | 90480-22M81-00 | GROMMET | 8 | |
| 20 | 90387-08M37-00 | COLLAR | 4 | |

CONTINUED ON NEXT FRAME >


6EH9100-V230

BOTTOM COWLING 1



| Ref No. | Part Number | Description | Qty | Remarks |
|---------|-----------------|--------------------------|-----|---------|
| 21 | 90119-08187-00 | BOLT, WITH WASHER | 4 | |
| 22 | 6DA-42717-01-00 | RUBBER, SEAL 2 | 4 | |
| 23 | 6DA-42384-00-00 | SEAL, CAP | 4 | |
| 24 | 6H4-42748-01-00 | GROMMET | 4 | |
| 25 | 6P2-44391-00-00 | NIPPLE, HOSE | 2 | |
| 26 | 6KA-42727-00-00 | GROMMET | 1 | |
| 27 | 90269-07003-00 | RIVET | 1 | |
| 28 | 90480-13163-00 | GROMMET | 1 | |
| 29 | 93210-13M63-00 | .O-RING | 3 | |
| 30 | 68F-42753-00-00 | FASTNER | 1 | AP |
| 31 | 90464-20258-00 | CLAMP | 1 | AP |
| 32 | 6EE-42794-41-00 | LABEL, WARNING (GENERAL) | 1 | |
| 33 | 6EE-42794-51-00 | LABEL, WARNING (GENERAL) | 1 | |
| 34 | 6AH-81996-01-00 | MARK | 1 | |


 6EH9100-V230