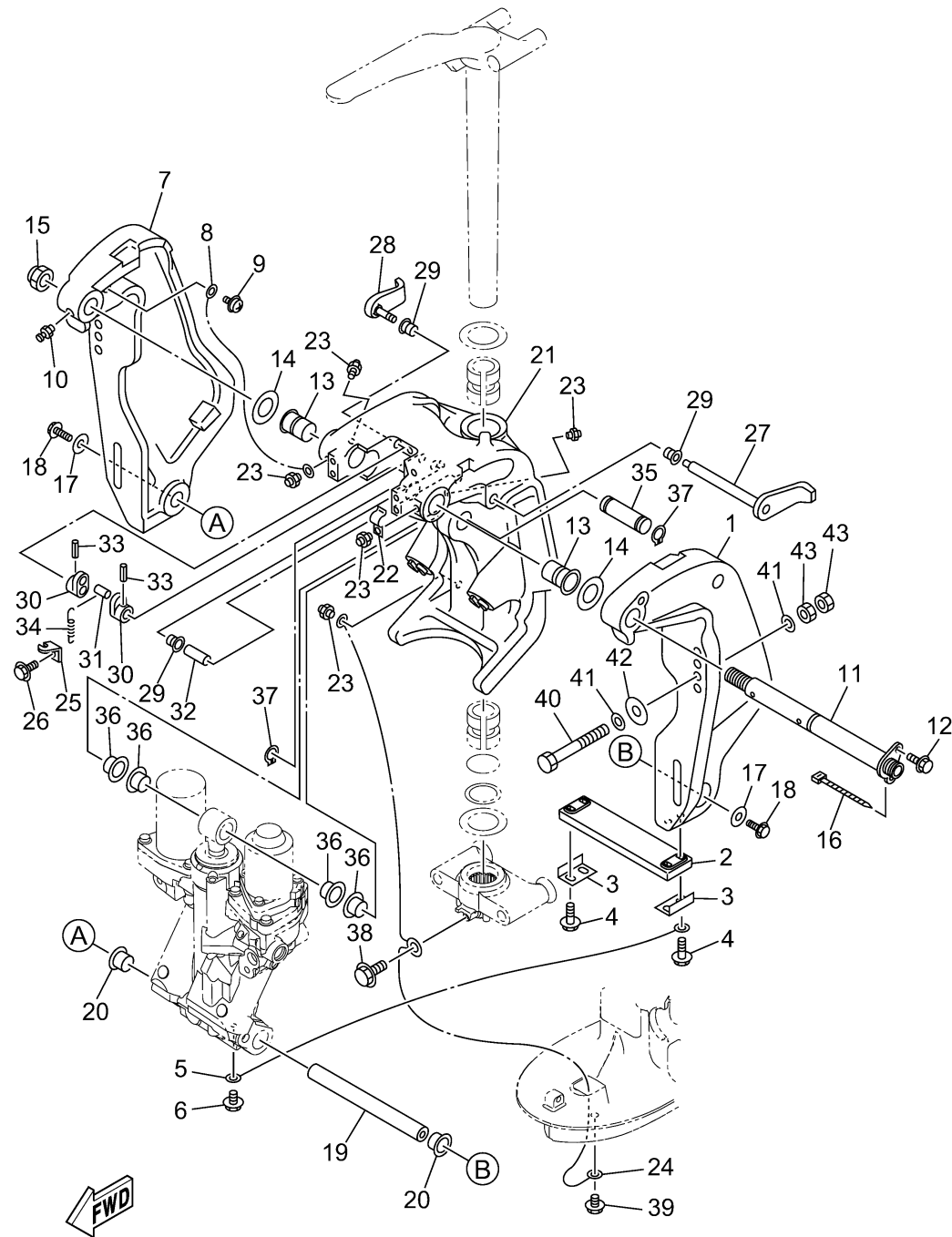


BRACKET 1

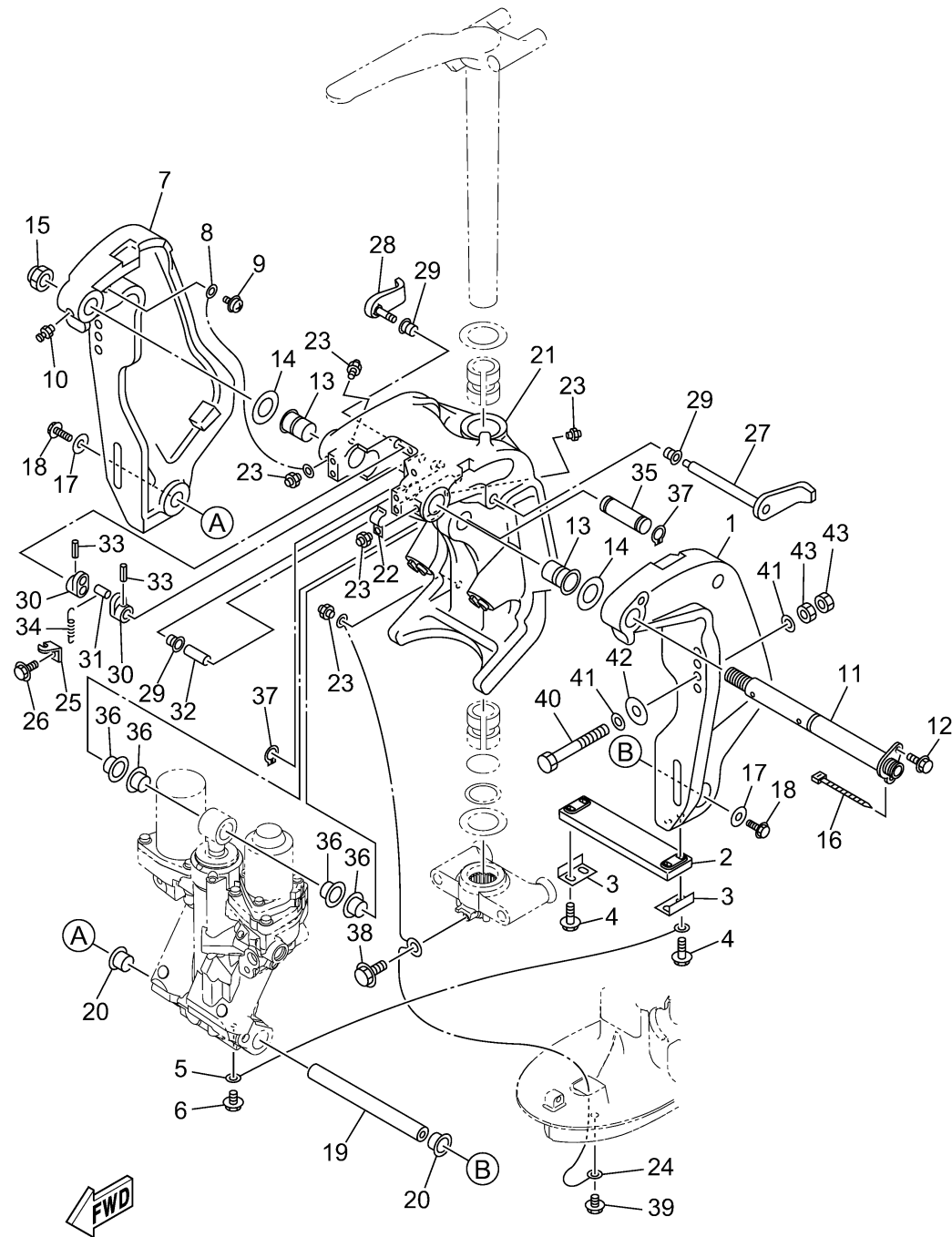


6EHB100-X270

Ref No.	Part Number	Description	Qty	Remarks
1	64E-43111-02-8D	BRACKET, CLAMP 1	1	
2	6AW-45251-00-00	ANODE	1	
3	6G5-44526-00-00	PLATE	2	
4	97E95-06530-00	BOLT, HEXAGON W/W DEEP RECESS	4	
5	6E5-82148-00-00	WIRE, LEAD 4	1	
6	97E95-06510-00	BOLT, HEXAGON W/W DEEP RECESS	1	
7	64E-43112-02-8D	BRACKET, CLAMP 2	1	
8	6E5-82148-00-00	WIRE, LEAD 4	1	
9	97985-06212-00	SCREW, WITH WASHER	1	
10	93700-06002-00	NIPPLE, GREASE	1	
11	64E-43131-30-00	BOLT, CLAMP BRACKET	1	
12	97E95-08520-00	BOLT, HEXAGON W/W DEEP RECESS	1	
13	90386-25M31-00	BUSH	2	
14	90201-26M59-00	WASHER, PLATE	2	
15	90185-22M11-00	NUT, SELF-LOCKING	1	
16	90465-11M10-00	CLAMP	1	
17	90201-10060-00	WASHER, PLATE	2	
18	90119-10054-00	BOLT, WITH WASHER	2	
19	6BC-43818-00-00	PIN, LOWER SHOCK MOUNT	1	
20	90386-22M98-00	BUSH	2	

CONTINUED ON NEXT FRAME >

BRACKET 1



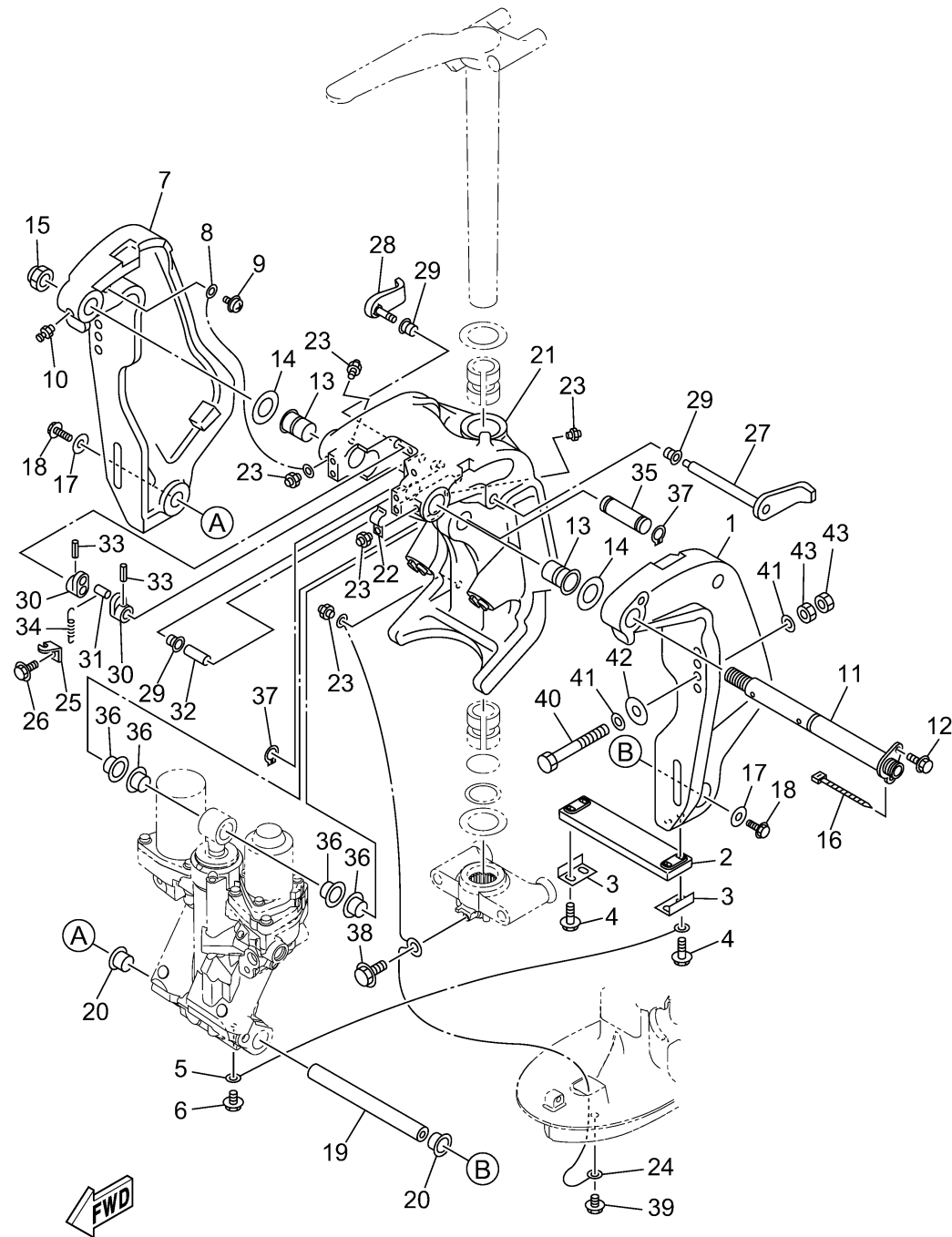
6EHB100-X270

Ref No.	Part Number	Description	Qty	Remarks
21	64E-43311-20-8D	BRACKET, SWIVEL 1	1	
22	90465-08M63-00	CLAMP	1	
23	93700-06002-00	NIPPLE, GREASE	5	
24	6DA-82149-00-00	WIRE, LEAD 3	1	
25	6G5-43144-00-00	HOOK, SPRING	1	
26	97E95-06512-00	BOLT, HEXAGON W/W DEEP RECESS	1	
27	6G5-43181-02-00	LEVER, TILT STOP 1	1	
28	6G5-43185-02-00	LEVER, TILT STOP 2	1	
29	90386-10M16-00	BUSH	3	
30	6G5-43148-00-00	COLLAR, DISTANCE	2	
31	90249-06M19-00	PIN	1	
32	90387-10M05-00	COLLAR	1	
33	91690-30020-00	PIN, SPRING	2	
34	90506-16003-00	SPRING, TENSION	1	
35	64E-43126-10-00	PIN, UPPER SHOCK MOUNT	1	
36	90386-22M98-00	BUSH	4	
37	93410-22M11-00	CIRCLIP	2	
38	95D95-06010-00	BOLT, FLANGE DEEP RECESS	1	
39	95D95-06010-00	BOLT, FLANGE DEEP RECESS	1	
40	90101-12065-00	BOLT (L:130MM)	2	UR

CONTINUED ON NEXT FRAME >

BRACKET 1

Ref No.	Part Number	Description	Qty	Remarks
40	90101-12066-00	BOLT (L:150MM)	2	UR
41	90201-13M01-00	WASHER, PLATE	8	
42	90201-12426-00	WASHER, PLATE	4	
43	95380-12600-00	NUT	8	



6EHB100-X270