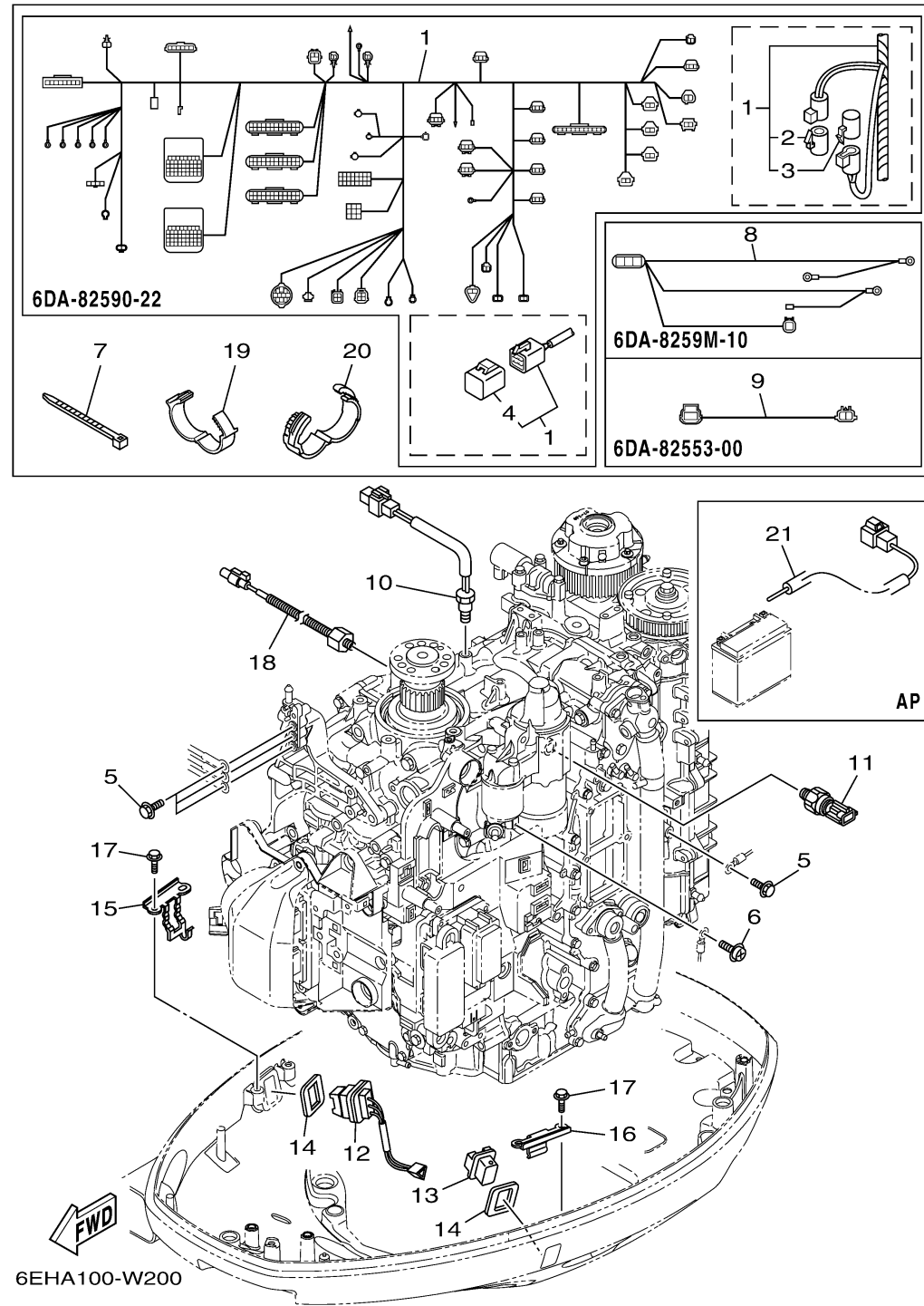


ELECTRICAL 4



Ref No.	Part Number	Description	Qty	Remarks
1	6DA-82590-22-00	WIRE HARNESS ASSY	1	
2	6DA-82582-00-00	..CAP 1 (FEMALE)	1	
3	6DA-82582-10-00	..CAP 1 (MALE)	1	
4	6Y8-82582-11-00	..CAP 1 (4PIN)	1	
5	97E95-06516-00	BOLT, HEXAGON W/W DEEP RECESS	4	
6	97985-04308-00	SCREW, WITH WASHER	1	
7	90465-11M59-00	CLAMP	1	
8	6DA-8259M-10-00	WIRE HARNESS ASSY 2	1	
9	6DA-82553-00-00	EXTENSION, WIRE LEAD	1	
10	6CB-85790-00-00	THERMOSENSOR ASSY	1	
11	6AW-83651-01-00	SENDER, OIL PRESSURE	1	
12	69J-82563-01-00	TRIM & TILT SWITCH ASSY	1	
13	69J-42723-01-00	COVER, BOTTOM	1	
14	69J-82587-01-00	GASKET	2	
15	63P-83614-01-00	BRACKET	1	
16	6DA-83614-00-00	BRACKET	1	
17	95D95-06012-00	BOLT, FLANGE DEEP RECESS	4	
18	6CJ-85780-02-00	SENSOR, KNOCK	1	
19	90464-26001-00	CLAMP	5	
20	90464-28003-00	CLAMP	2	

CONTINUED ON NEXT FRAME >

ELECTRICAL 4

Ref No.	Part Number	Description	Qty	Remarks
21	69J-81949-03-00	WIRE, LEAD (ISOLATOR, 3.8M)	1	AP

