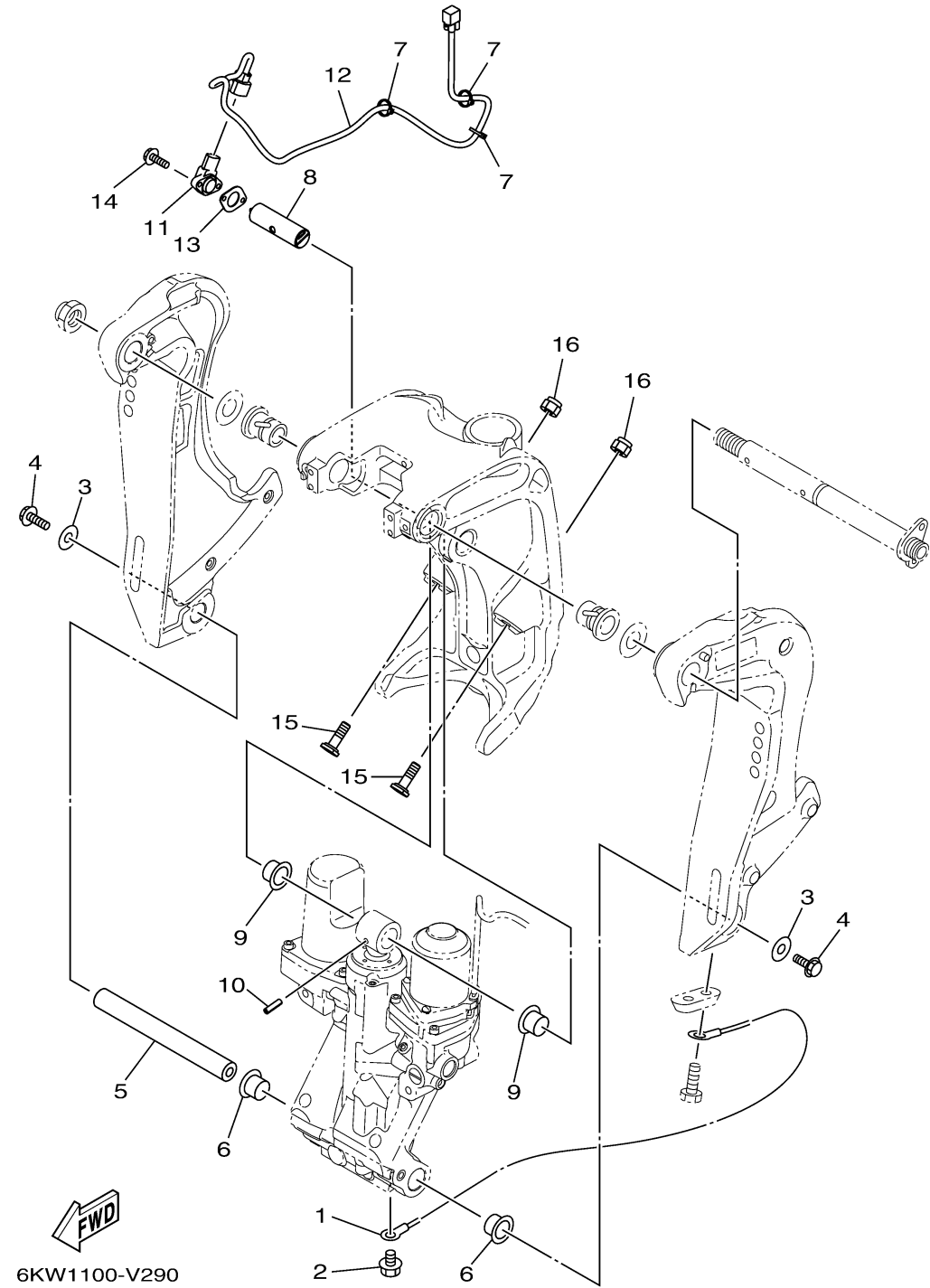


BRACKET 2



Ref No.	Part Number	Description	Qty	Remarks
1	6E5-82148-00-00	WIRE, LEAD 4	1	
2	97E95-06510-00	BOLT, HEXAGON W/W DEEP RECESS	1	
3	90201-10060-00	WASHER, PLATE	2	
4	90119-10054-00	BOLT, WITH WASHER	2	
5	6BC-43818-00-00	PIN, LOWER SHOCK MOUNT	1	
6	90386-22003-00	BUSH	2	
7	90465-11M10-00	CLAMP	3	
8	6KW-43126-00-00	PIN, UPPER SHOCK MOUNT	1	
9	90386-22003-00	BUSH	2	
10	91690-60022-00	PIN, SPRING	1	
11	6GR-85887-00-00	SENSOR, ANGLE	1	
12	6KW-82553-00-00	EXTENSION, WIRE LEAD	1	
13	6KW-4382A-00-00	ADAPTOR 1	1	
14	97595-05516-00	BOLT, WITH WASHER	2	
15	61A-43376-00-00	BOLT, THRUST RECEIVER	2	
16	95780-10300-00	NUT, FLANGE	2	