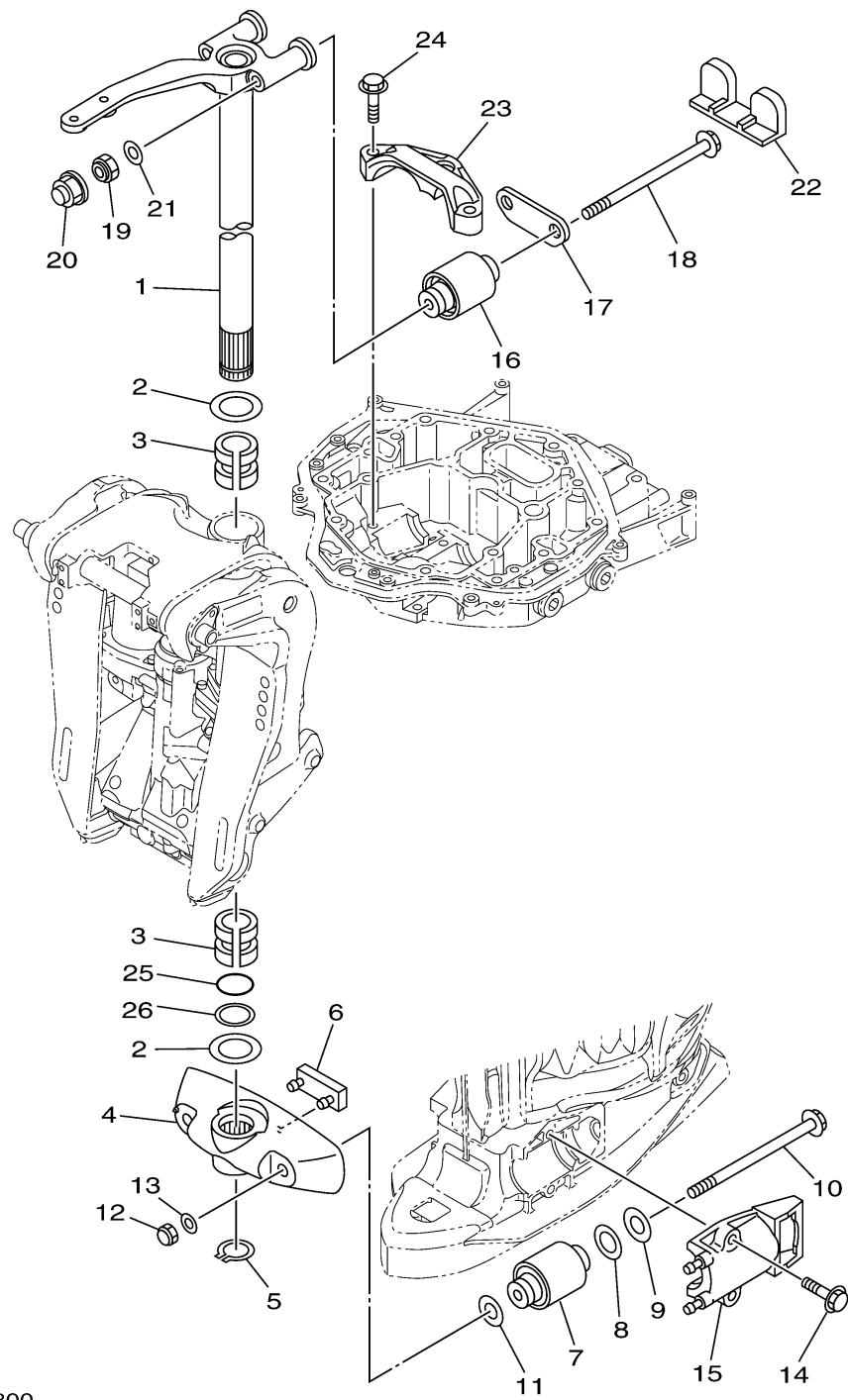


6KW1100-V300

BRACKET 3

Ref No.	Part Number	Description	Qty	Remarks
1	6CB-42510-00-8D	STEERING BRACKET ASSY	1	
2	90201-38M60-00	WASHER, PLATE	2	
3	90386-38M89-00	BUSH	2	
4	6CB-44551-01-8D	HOUSING, LOWER MOUNT RUBBER 1	1	
5	93410-36102-00	CIRCLIP	1	
6	6E5-44575-01-00	DAMPER, LOWER MOUNT RUBBER	1	
7	60X-44555-00-00	MOUNT DAMPER, LOWER SIDE	2	
8	90202-32M19-00	WASHER, PLATE	2	
9	90201-16M55-00	WASHER, PLATE	2	
10	90105-14007-00	BOLT, FLANGE	2	
11	90201-15M58-00	WASHER, PLATE	2	
12	95380-14800-00	NUT	2	
13	92995-14600-00	WASHER	2	
14	90119-10024-00	BOLT, WITH WASHER	4	
15	61A-44552-01-CA	HOUSING, LOWER MOUNT RUBBER 2	2	
16	6CB-44514-00-00	MOUNT DAMPER, UPPER SIDE	2	
17	6CB-44526-00-00	PLATE	1	
18	90105-14007-00	BOLT, FLANGE	2	
19	90185-14M00-00	NUT, SELF-LOCKING	2	
20	6DA-44194-00-00	CAP	2	

CONTINUED ON NEXT FRAME >



6KW1100-V300

BRACKET 3

Ref No.	Part Number	Description	Qty	Remarks
21	92995-14600-00	WASHER	2	
22	6CB-44533-01-00	DAMPER, UPPER MOUNT RUBBER	1	
23	6CB-44511-00-00	COVER, UPPER MOUNT	1	
24	90119-10024-00	BOLT, WITH WASHER	3	
25	93210-37MH7-00	O-RING	1	
26	90202-40M47-00	WASHER, PLATE	1	