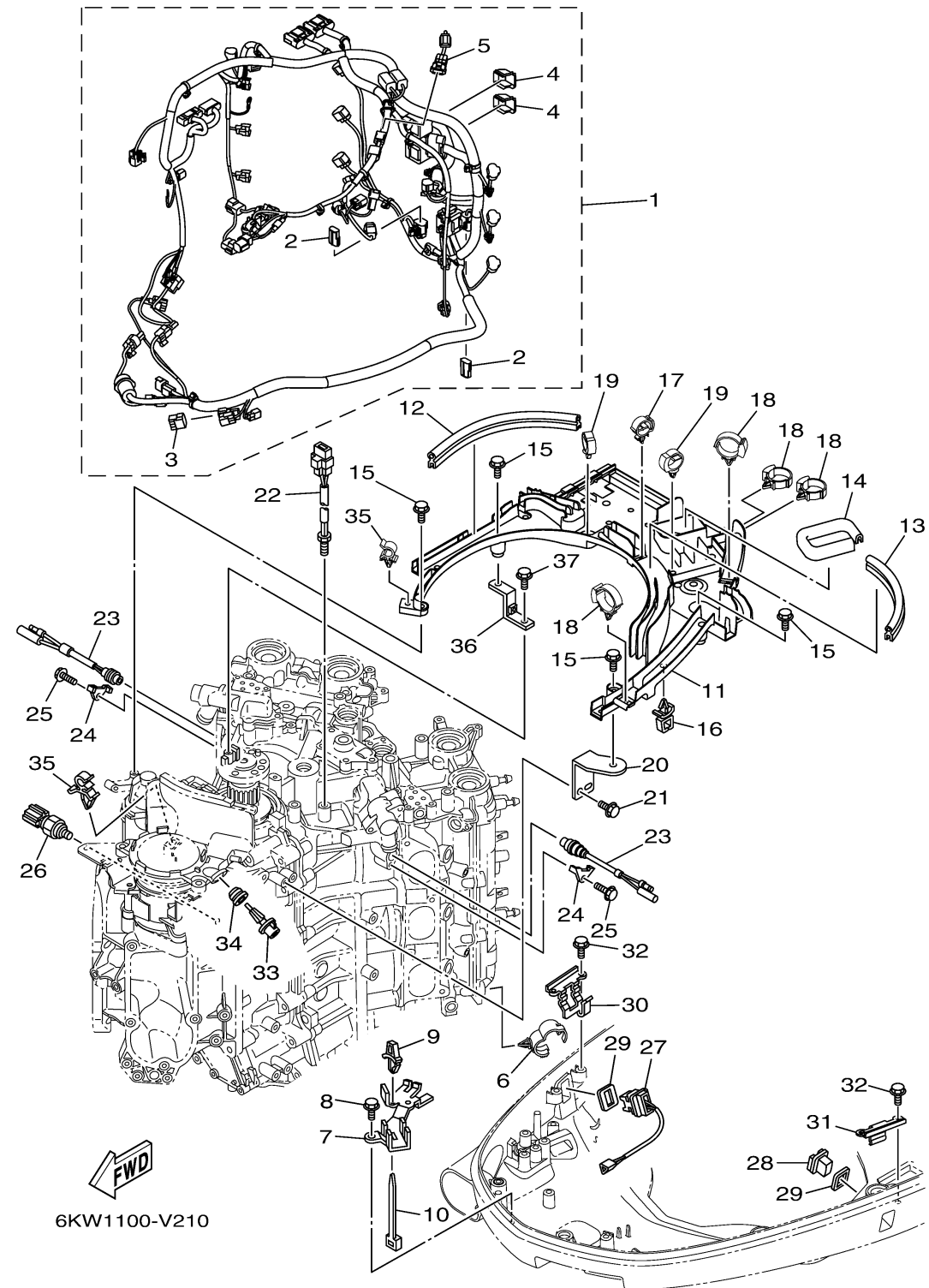


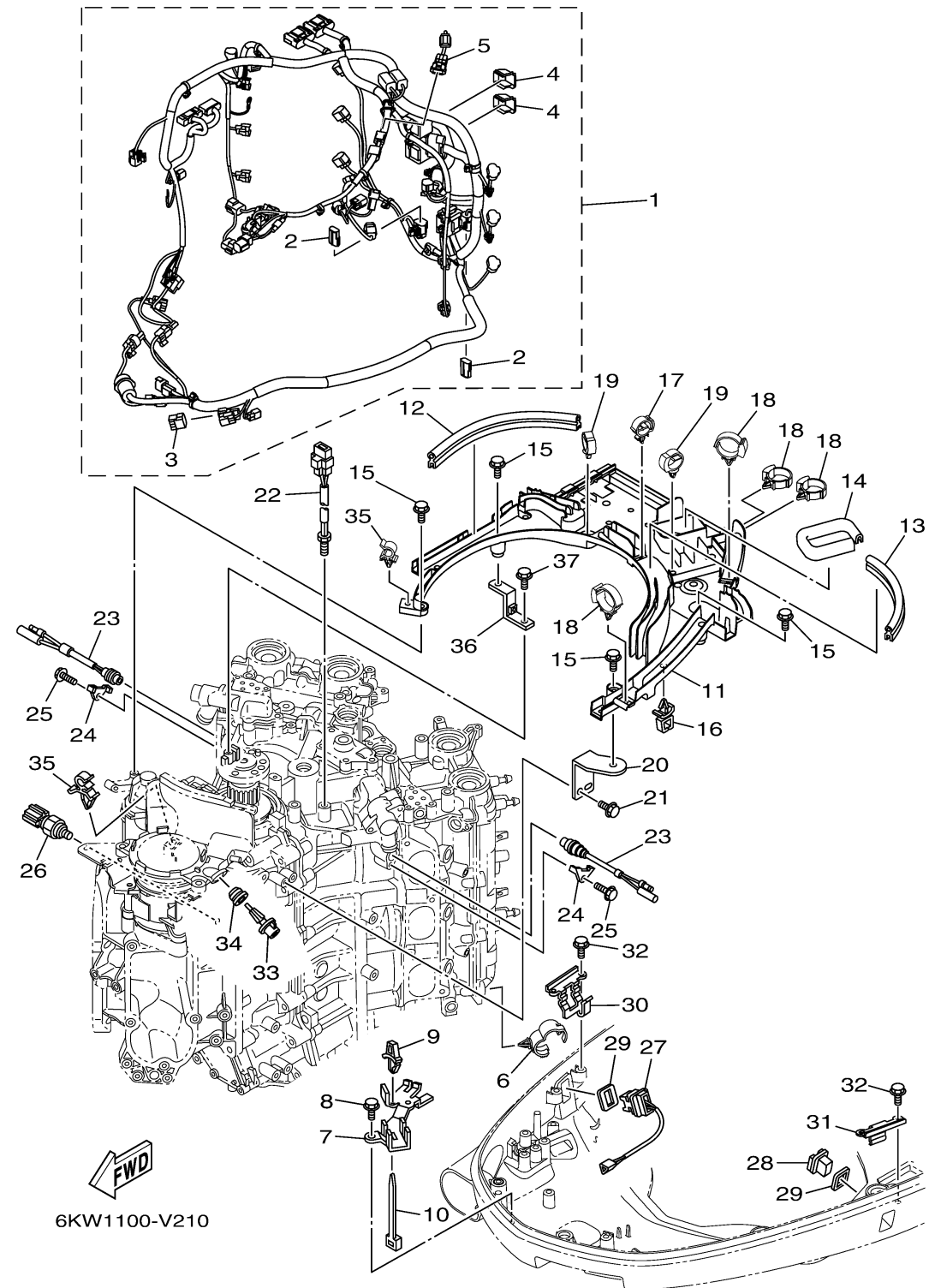
ELECTRICAL 4



Ref No.	Part Number	Description	Qty	Remarks
1	6KW-82590-03-00	WIRE HARNESS ASSY	1	
2	6AW-82582-00-00	..CAP 1	2	
3	6Y8-82582-11-00	..CAP 1 (4PIN)	1	
4	6EM-82599-00-00	..COVER, CONNECTOR	2	
5	6FM-81980-01-00	..DIODE ASSY	1	
6	90464-20181-00	CLAMP	4	
7	6CB-82594-00-00	CLAMP	1	
8	95D95-06012-00	BOLT, FLANGE DEEP RECESS	2	
9	90464-06001-00	CLAMP	1	
10	90465-13M24-00	CLAMP	1	
11	6CB-82589-01-00	PROTECTOR, WIRE HARNESS	1	
12	6BG-42617-00-00	DAMPER, FORM	1	
13	6CB-42617-00-00	DAMPER, FORM	1	
14	6CB-42629-00-00	SEAL	1	
15	95D95-06020-00	BOLT, FLANGE DEEP RECESS	5	
16	90464-11121-00	CLAMP	1	
17	90464-18246-00	CLAMP	1	
18	90464-12183-00	CLAMP	4	
19	90464-20181-00	CLAMP	2	
20	6CB-82388-00-00	PLATE	1	

CONTINUED ON NEXT FRAME >

ELECTRICAL 4



Ref No.	Part Number	Description	Qty	Remarks
21	95D95-06016-00	BOLT, FLANGE DEEP RECESS	2	
22	6CB-85790-00-00	THERMOSENSOR ASSY	1	
23	6P2-82560-01-00	THERMO SWITCH ASSY	2	
24	6E9-82588-00-00	PLATE	2	
25	95D95-06012-00	BOLT, FLANGE DEEP RECESS	2	
26	6AW-83651-01-00	SENDER, OIL PRESSURE	1	
27	69J-82563-01-00	TRIM & TILT SWITCH ASSY	1	
28	69J-42723-01-00	COVER, BOTTOM	1	
29	69J-82587-01-00	GASKET	2	
30	63P-83614-01-00	BRACKET	1	
31	6DA-83614-00-00	BRACKET	1	
32	95D95-06012-00	BOLT, FLANGE DEEP RECESS	4	
33	63P-85886-00-00	SENSOR, AIR TEMPERATURE	1	
34	6CE-14435-00-00	GROMMET	1	
35	90464-09129-00	CLAMP	2	
36	6CB-81952-00-00	HOLDER, RELAY	1	
37	95D95-06016-00	BOLT, FLANGE DEEP RECESS	1	