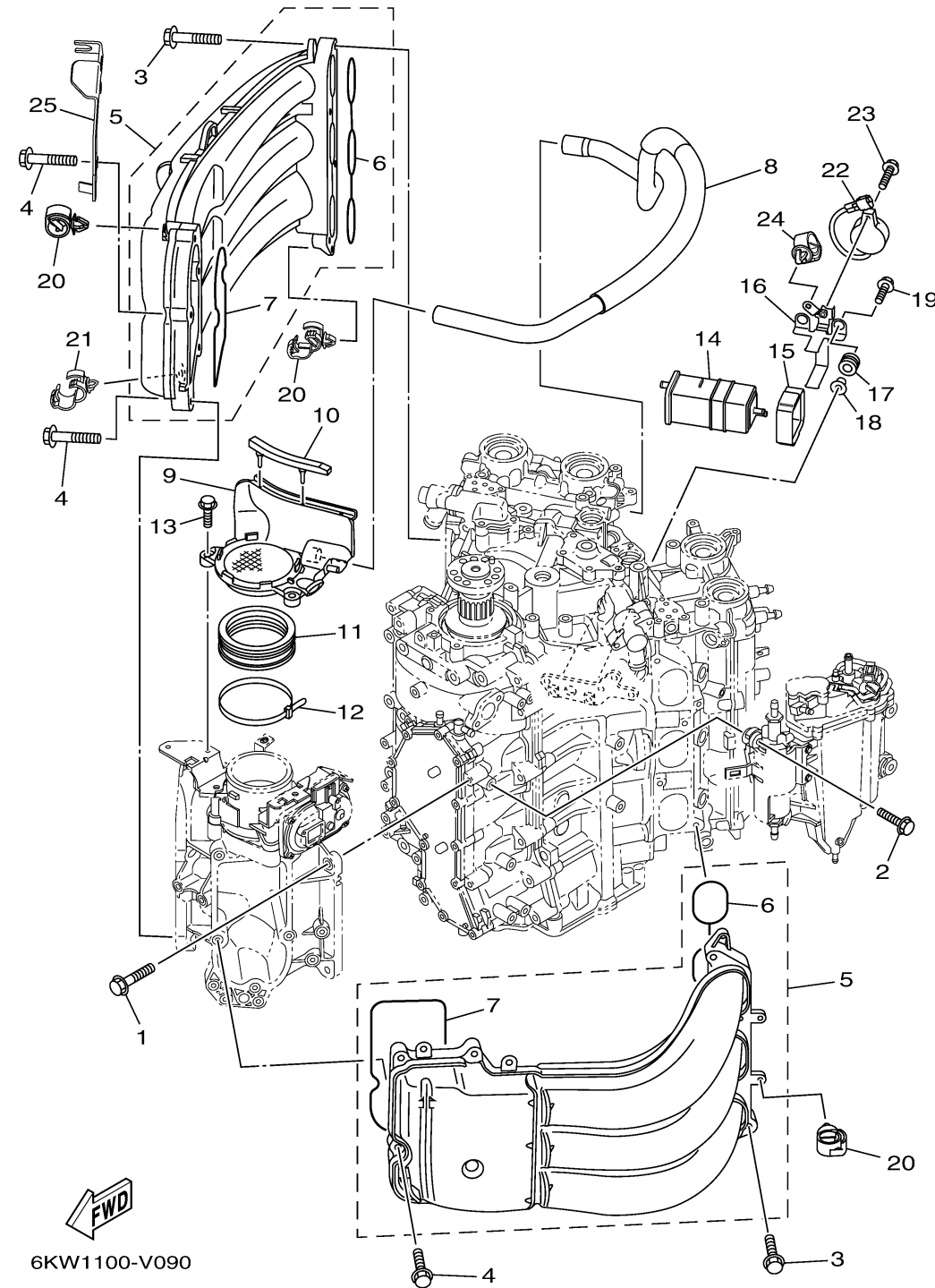


# INTAKE 1



Ref No.	Part Number	Description	Qty	Remarks
1	95D75-08030-00	BOLT, FLANGE DEEP RECESS	4	
2	90119-06299-00	BOLT, WITH WASHER	4	
3	90119-08020-00	BOLT, WITH WASHER	8	
4	90105-06035-00	BOLT, FLANGE	10	
5	6CB-13641-00-00	MANIFOLD, INTAKE 1	2	
6	6CB-13645-00-00	..GASKET, MANIFOLD 1	1	
7	6CB-13646-00-00	..GASKET, MANIFOLD 2	1	
8	6CB-15373-01-00	PIPE, BREATHER	1	
9	6CB-14440-01-00	SILENCER ASSY, INTAKE	1	
10	6CB-85547-00-00	DAMPER	1	
11	6AW-1441J-01-00	PIPE, SILENCER	1	
12	90464-99004-00	CLAMP	1	
13	95D95-06025-00	BOLT, FLANGE DEEP RECESS	2	
14	69J-24170-00-00	CANISTER ASSY	1	
15	6FP-2419E-01-00	COVER, CANISTER	1	
16	6KA-2134X-00-00	BRACKET, CANISTER	1	
17	90480-10M23-00	GROMMET	2	
18	90387-06289-00	COLLAR	2	
19	90119-06309-00	BOLT, WITH WASHER	2	
20	90464-13249-00	CLAMP	8	

CONTINUED ON NEXT FRAME >

# INTAKE 1

Ref No.	Part Number	Description	Qty	Remarks
21	90464-07209-00	CLAMP	1	
22	6KA-83383-01-00	BUZZER	1	
23	90119-05M04-00	BOLT, WITH WASHER	1	
24	90464-13249-00	CLAMP	1	
25	6KW-82389-00-00	PLATE 2	1	

