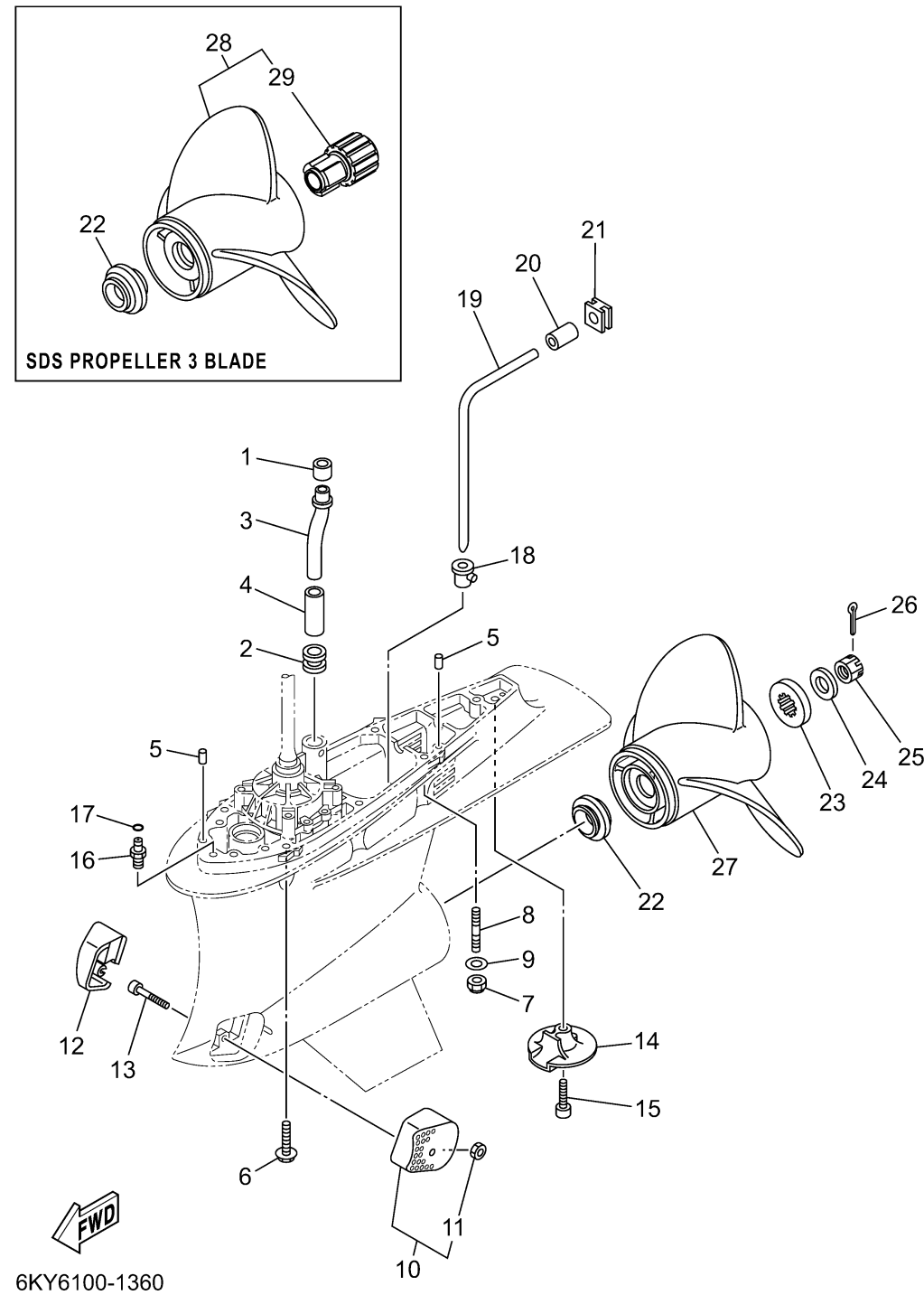


LOWER CASING DRIVE 2

Ref No.	Part Number	Description	Qty	Remarks
1	6E5-44365-01-00	DAMPER, WATER SEAL 1	1	
2	6E5-44366-01-00	.DAMPER, WATER SEAL 2	1	
3	6CB-44361-00-00	TUBE, WATER 1	1	
4	90445-23002-00	HOSE (L59)	1	
5	93608-16M16-00	PIN, DOWEL	2	
6	97E95-10545-00	BOLT, HEXAGON W/W DEEP RECESS	3	
7	95780-10300-00	NUT, FLANGE	4	
8	90116-10021-00	BOLT, STUD	4	
9	92995-10600-00	WASHER	4	
10	6CB-45214-20-00	COVER, WATER INLET 1	1	
11	90185-05002-00	.NUT, NYLON	1	
12	6CB-45215-20-00	COVER, WATER INLET 2	1	
13	90110-05039-00	BOLT, HEXAGON SOCKET HEAD	1	
14	6AW-45619-00-00	CAP	1	
15	90110-10018-00	BOLT, HEXAGON SOCKET HEAD	1	
16	63P-45378-00-00	NIPPLE, HOSE	1	
17	93210-07003-00	O-RING	1	
18	6D0-44367-00-00	DAMPER, WATER SEAL 3	1	
19	6CB-44362-00-00	TUBE, WATER 2	1	
20	6D0-44365-00-00	DAMPER, WATER SEAL 1	1	

CONTINUED ON NEXT FRAME >

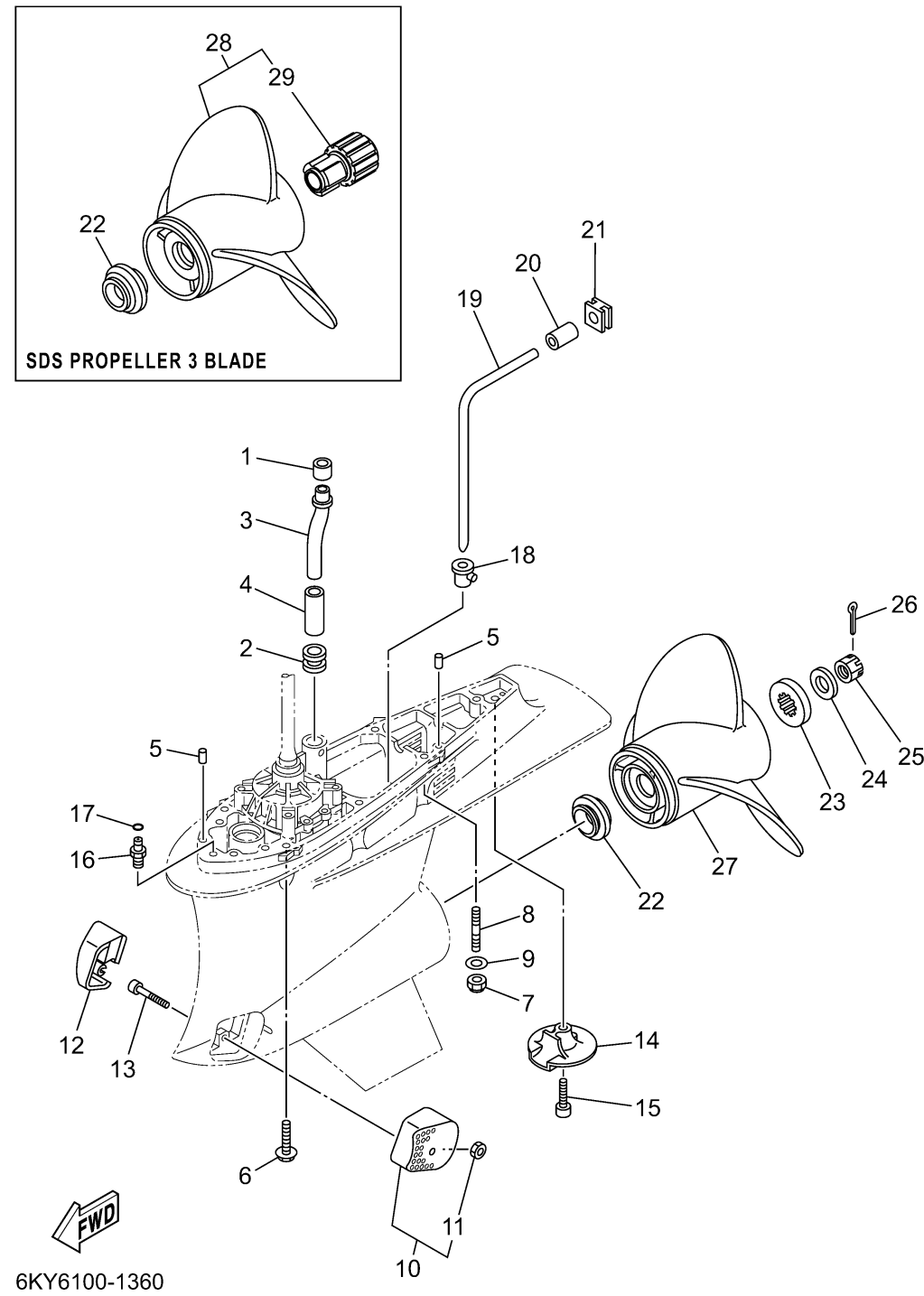
LOWER CASING DRIVE 2



Ref No.	Part Number	Description	Qty	Remarks
21	6D0-44366-01-00	DAMPER, WATER SEAL 2	1	
22	69J-45987-00-00	SPACER 1	1	FOR SDS PROPELLER
22	6KW-45987-00-00	SPACER 1	1	FOR 6KW PROPELLER
23	688-45997-01-00	SPACER 2	1	
24	92990-18200-00	WASHER	1	
25	90171-18M04-00	NUT, CASTLE	1	
26	91490-40030-00	PIN. COTTER	1	
27	6KW-45932-00-00	PROPELLER (3X15-1/8"X22"-T3)	1	UR
27	6KW-45974-00-00	PROPELLER (3X15-1/8"X23"-T3)	1	UR
27	6KW-45930-00-00	PROPELLER (3X15-1/8"X24"-T3)	1	UR
27	6KW-45972-00-00	PROPELLER (3X15-1/8"X25"-T3)	1	UR
27	6KW-45978-00-00	PROPELLER (3X15-1/8"X26"-T3)	1	UR
27	6KW-45970-00-00	PROPELLER (3X15-1/8"X27"-T3)	1	UR
28	6CE-45D72-20-00	PROPELLER (3X14-3/4"X24"-T)	1	UR SDS 3 BLADE
28	6CE-45D74-20-00	PROPELLER (3X14-3/4"X25"-T)	1	UR SDS 3 BLADE
28	68F-45972-20-00	PROPELLER (3X14-1/4"X17"-M)	1	UR SDS 3 BLADE
28	68F-45978-20-00	PROPELLER (3X14-1/4"X18"-M)	1	UR SDS 3 BLADE
28	68F-45974-20-00	PROPELLER (3X13-3/4"X19"-M)	1	UR SDS 3 BLADE
28	68F-45976-20-00	PROPELLER (3X13-3/4"X21"-M)	1	UR SDS 3 BLADE
28	6KA-45972-00-00	PROPELLER (3X15-1/4"X19"-T)	1	UR SDS 3 BLADE

CONTINUED ON NEXT FRAME >

LOWER CASING DRIVE 2



Ref No.	Part Number	Description	Qty	Remarks
28	6KA-45974-00-00	PROPELLER (3X15"X20"-T)	1	UR SDS 3 BLADE
28	6KA-45976-00-00	PROPELLER (3X15"X21"-T)	1	UR SDS 3 BLADE
28	68F-45932-20-00	PROPELLER (3X14-1/2"X13"-M)	1	UR SDS 3 BLADE
28	68F-45930-20-00	PROPELLER (3X14-1/2"X14"-M)	1	UR SDS 3 BLADE
28	6CE-45976-20-00	PROPELLER (3X15-3/4"X15"-T)	1	UR SDS 3 BLADE
28	6CE-45978-20-00	PROPELLER (3X15-1/2"X17"-T)	1	UR SDS 3 BLADE
28	6CE-45970-20-00	PROPELLER (3X15-1/4"X19"-T)	1	UR SDS 3 BLADE
28	6CE-45972-20-00	PROPELLER (3X15"X21"-T)	1	UR SDS 3 BLADE
28	6CE-45974-20-00	PROPELLER (3X14-3/4"X23"-T)	1	UR SDS 3 BLADE
28	6CE-45934-20-00	PROPELLER (3X15-1/4"X18"-T)	1	UR SDS 3 BLADE
28	6CE-45932-20-00	PROPELLER (3X15"X20"-T)	1	UR SDS 3 BLADE
28	6CE-45936-20-00	PROPELLER (3X14-3/4"X22"-T)	1	UR SDS 3 BLADE
28	6CE-45D70-20-00	PROPELLER (3X15-3/4"X14"-T)	1	UR SDS 3 BLADE
28	6KA-45970-00-00	PROPELLER (3X15-1/4"X18"-T)	1	UR SDS 3 BLADE
28	6CE-45938-20-00	PROPELLER (3X15-1/2"X16"-T)	1	UR SDS 3 BLADE
28	6CE-45930-20-00	PROPELLER (3X15-3/4"X13"-T)	1	UR SDS 3 BLADE
28	68F-45970-20-00	PROPELLER (3X14-1/2"X15"-M)	1	UR SDS 3 BLADE
29	6CE-45C81-10-00	..DAMPER RUBBER, PROPELLER 1	1	