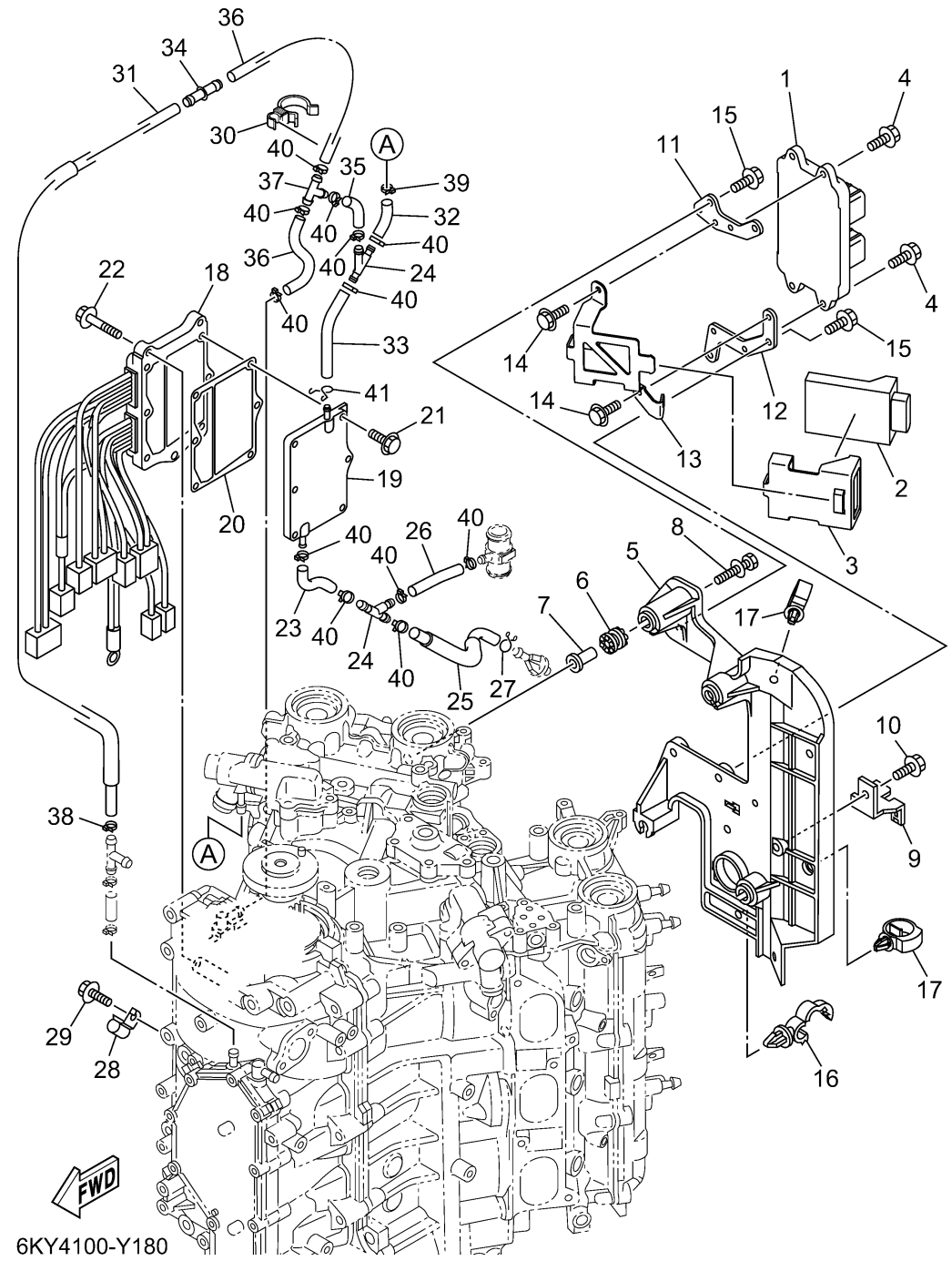


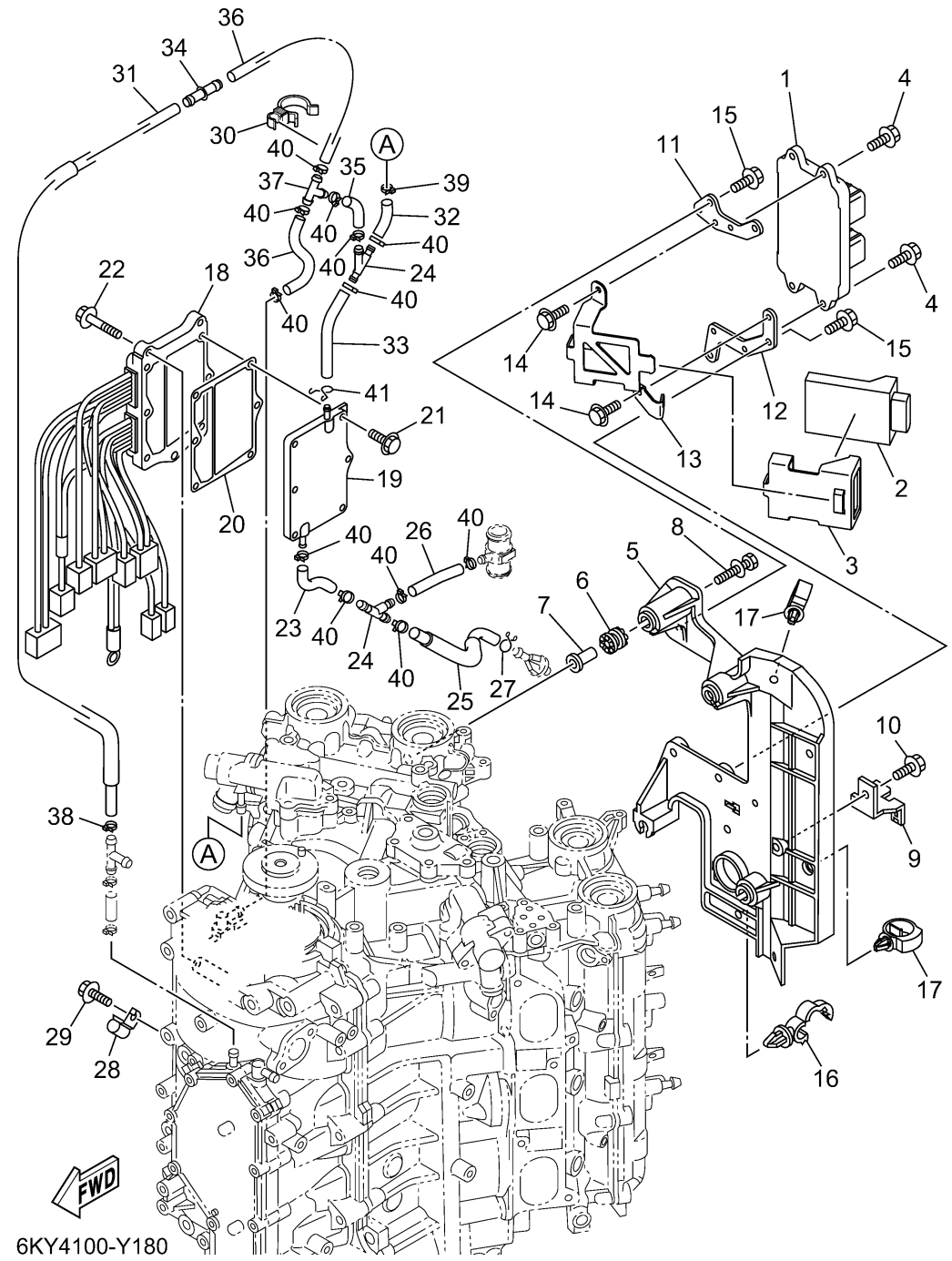
ELECTRICAL 1



Ref No.	Part Number	Description	Qty	Remarks
1	6KW-8591A-03-00	ENGINE CONTROL UNIT ASSY	1	
2	6KW-85335-00-00	ADAPTER, INTERFACE	1	
3	6KW-85546-00-00	BAND	1	
4	95D95-06016-00	BOLT, FLANGE DEEP RECESS	4	
5	6CB-82316-01-00	BRACKET, IGNITION COIL	1	
6	64J-85516-01-00	SPACER	4	
7	69M-42758-01-00	COLLAR	4	
8	90119-06293-00	BOLT, WITH WASHER	4	
9	6BR-81845-00-00	PLATE	1	
10	95D95-06012-00	BOLT, FLANGE DEEP RECESS	1	
11	6KW-81411-00-00	BASE, PLATE 1	1	
12	6KW-81411-10-00	BASE, PLATE 1	1	
13	6KW-81412-00-00	BASE, PLATE 2	1	
14	95D95-06012-00	BOLT, FLANGE DEEP RECESS	2	
15	95D95-06012-00	BOLT, FLANGE DEEP RECESS	4	
16	90464-13249-00	CLAMP	1	
17	90464-20181-00	CLAMP	2	
18	6CE-81960-10-00	RECTIFIER & REGULATOR ASSY	1	
19	6CE-81972-00-9S	COVER, RECTIFIER	1	
20	6CE-81975-00-00	PLATE, RECTIFIER FITTING	1	

CONTINUED ON NEXT FRAME >

ELECTRICAL 1



Ref No.	Part Number	Description	Qty	Remarks
21	90119-06MA3-00	BOLT, WITH WASHER	6	
22	95D95-06025-00	BOLT, FLANGE DEEP RECESS	3	
23	6CE-1248A-00-00	PIPE 8	1	
24	6CE-24377-00-00	PIPE, JOINT 2	2	
25	6CE-12483-00-00	PIPE 3	1	
26	90445-107A5-00	HOSE (L30)	1	
27	90467-09M09-00	CLIP	1	
28	90462-06013-00	CLAMP	1	
29	95023-06012-00	BOLT	1	
30	90464-26002-00	CLAMP	1	
31	6CE-12481-10-00	PIPE 1	1	
32	6CE-14872-00-00	PIPE 2	1	
33	6CE-12485-00-00	PIPE 5	1	
34	6CE-24376-01-00	PIPE, JOINT 1	1	
35	6CE-14872-00-00	PIPE 2	1	
36	90445-09068-00	HOSE (L110)	2	
37	688-24378-00-00	PIPE, JOINT 3	1	
38	90465-11M10-00	CLAMP	1	
39	90465-11M10-00	CLAMP	1	
40	90465-11M10-00	CLAMP	12	

CONTINUED ON NEXT FRAME >

ELECTRICAL 1

Ref No.	Part Number	Description	Qty	Remarks
41	90467-08M18-00	CLIP	1	

