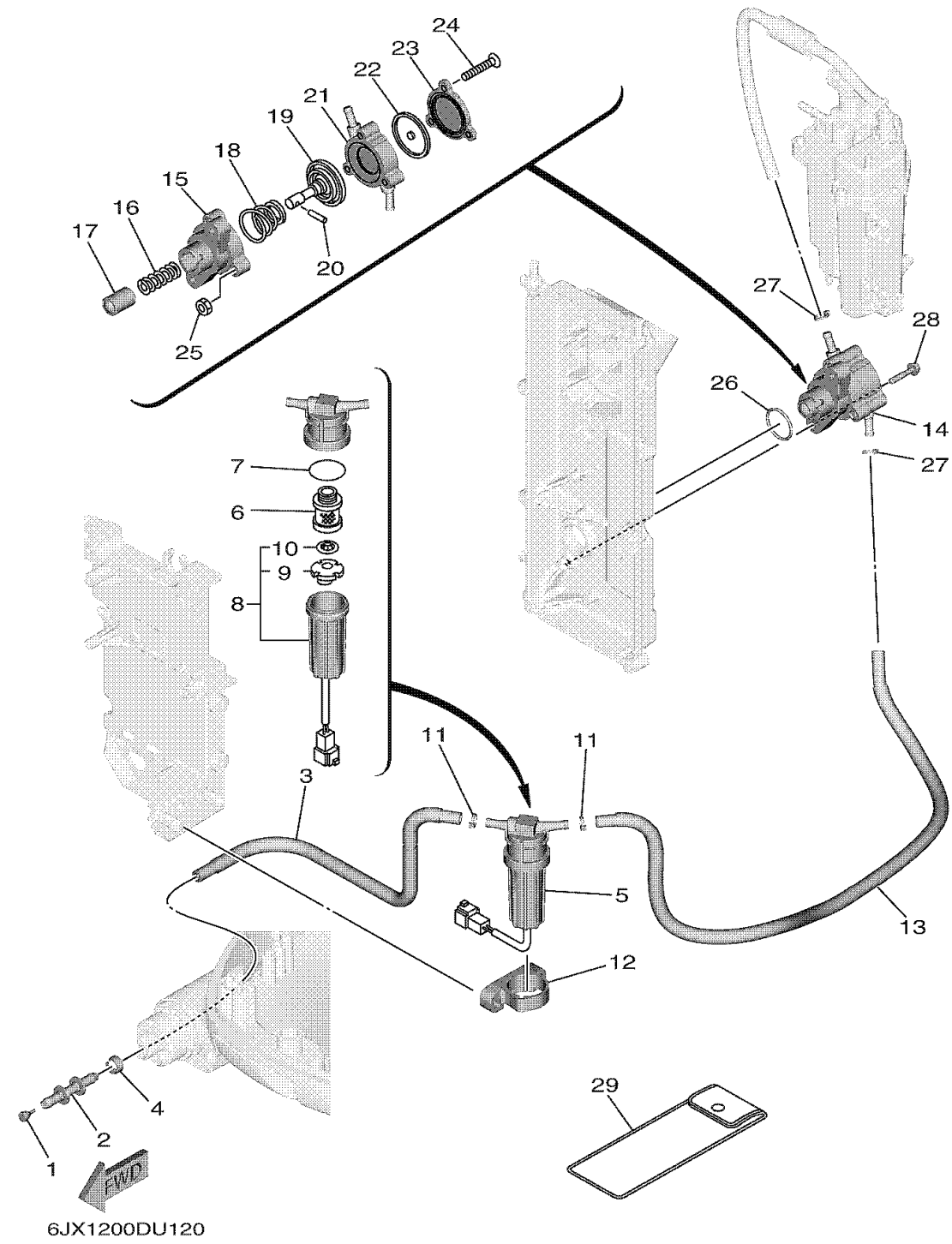


FUEL

| Ref No. | Part Number | Description | Qty | Remarks |
|---------|-----------------|---------------------------|-----|---------|
| 1 | 689-85547-01-00 | DAMPER | 1 | |
| 2 | 6AW-24377-01-00 | PIPE, JOINT 2 | 1 | |
| 3 | 6FP-24314-00-00 | PIPE 4 | 1 | |
| 4 | 6E5-24351-51-00 | BAND 1 | 1 | |
| 5 | 6EK-24560-00-00 | FILTER ASSY | 1 | |
| 6 | 6D8-24563-00-00 | . .ELEMENT, FILTER | 1 | |
| 7 | 6D8-24564-00-00 | . .GASKET | 1 | |
| 8 | 6D8-WS24B-00-00 | . .CUP, FILTER (WITH TAG) | 1 | |
| 9 | 6D8-24469-00-00 |FLOAT, WATER LEVEL | 1 | |
| 10 | 6D8-24519-00-00 |CLIP | 1 | |
| 11 | 90465-11M10-00 | .CLAMP | 2 | |
| 12 | 6FP-24568-01-00 | BAND, FILTER | 1 | |
| 13 | 6FP-24311-00-00 | PIPE, FUEL 1 | 1 | |
| 14 | 6FP-24410-00-00 | FUEL PUMP ASSY | 1 | |
| 15 | 68V-24412-00-00 | . .BODY 1 | 1 | |
| 16 | 68V-24454-00-00 | . .SPRING | 1 | |
| 17 | 68V-13131-00-00 | . .PLUNGER | 1 | |
| 18 | 63P-24423-00-00 | . .SPRING, DIAPHRAGM | 1 | |
| 19 | 68V-24411-00-00 | . .DIAPHRAGM | 1 | |
| 20 | 68V-24374-00-00 | . .PIN | 1 | |

CONTINUED ON NEXT FRAME >



FUEL

| Ref No. | Part Number | Description | Qty | Remarks |
|---------|-----------------|--------------|-----|---------|
| 21 | 6FP-24413-00-00 | . .BODY 2 | 1 | |
| 22 | 68V-24471-10-00 | . .DIAPHRAGM | 1 | |
| 23 | 6FP-24414-00-00 | . .BODY 3 | 1 | |
| 24 | 68V-24444-00-00 | . .SCREW | 3 | |
| 25 | 68V-24149-00-00 | . .NUT | 3 | |
| 26 | 93210-30682-00 | .O-RING | 1 | |
| 27 | 90465-11M10-00 | .CLAMP | 2 | |
| 28 | 90105-06208-00 | BOLT, FLANGE | 2 | |