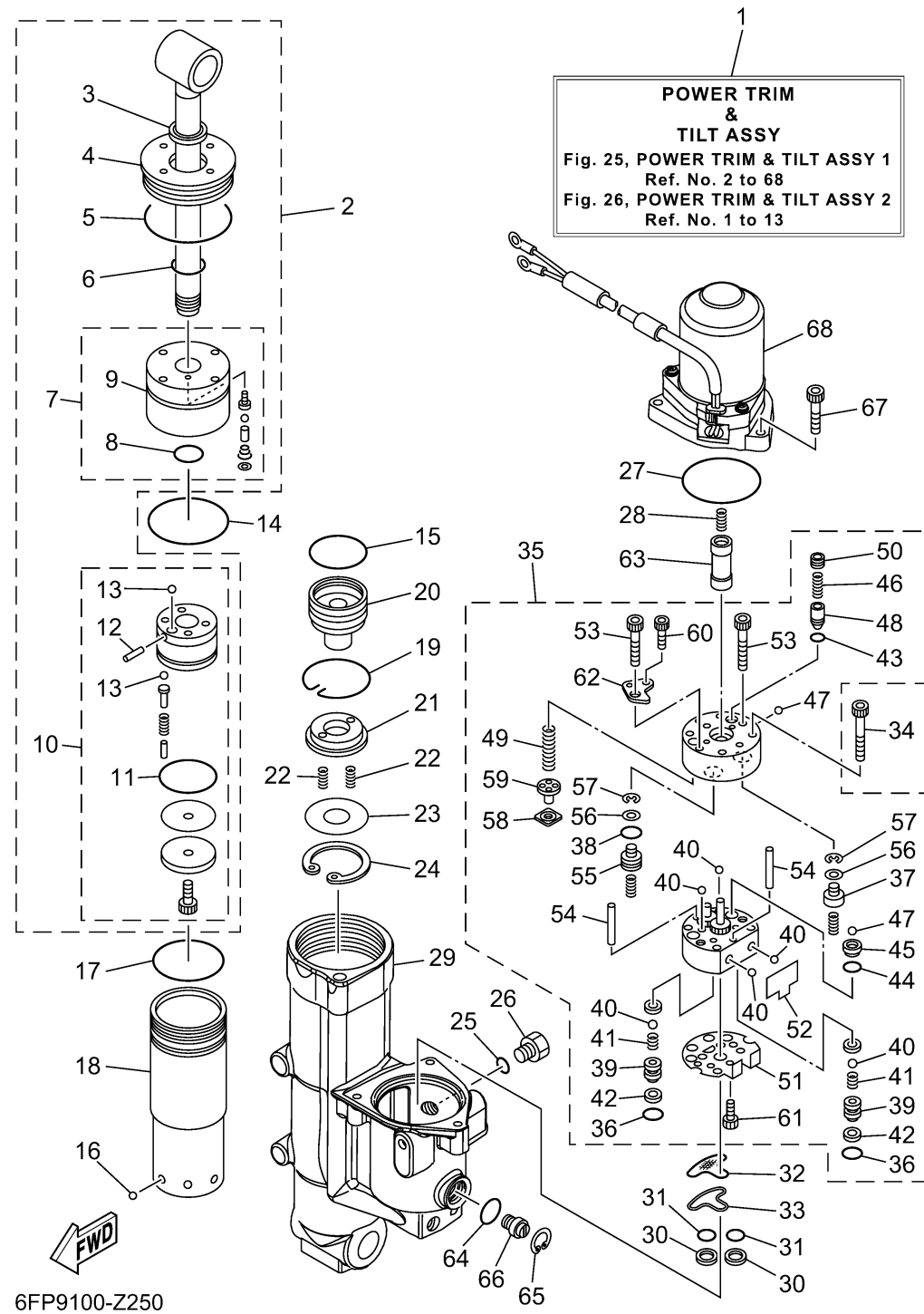


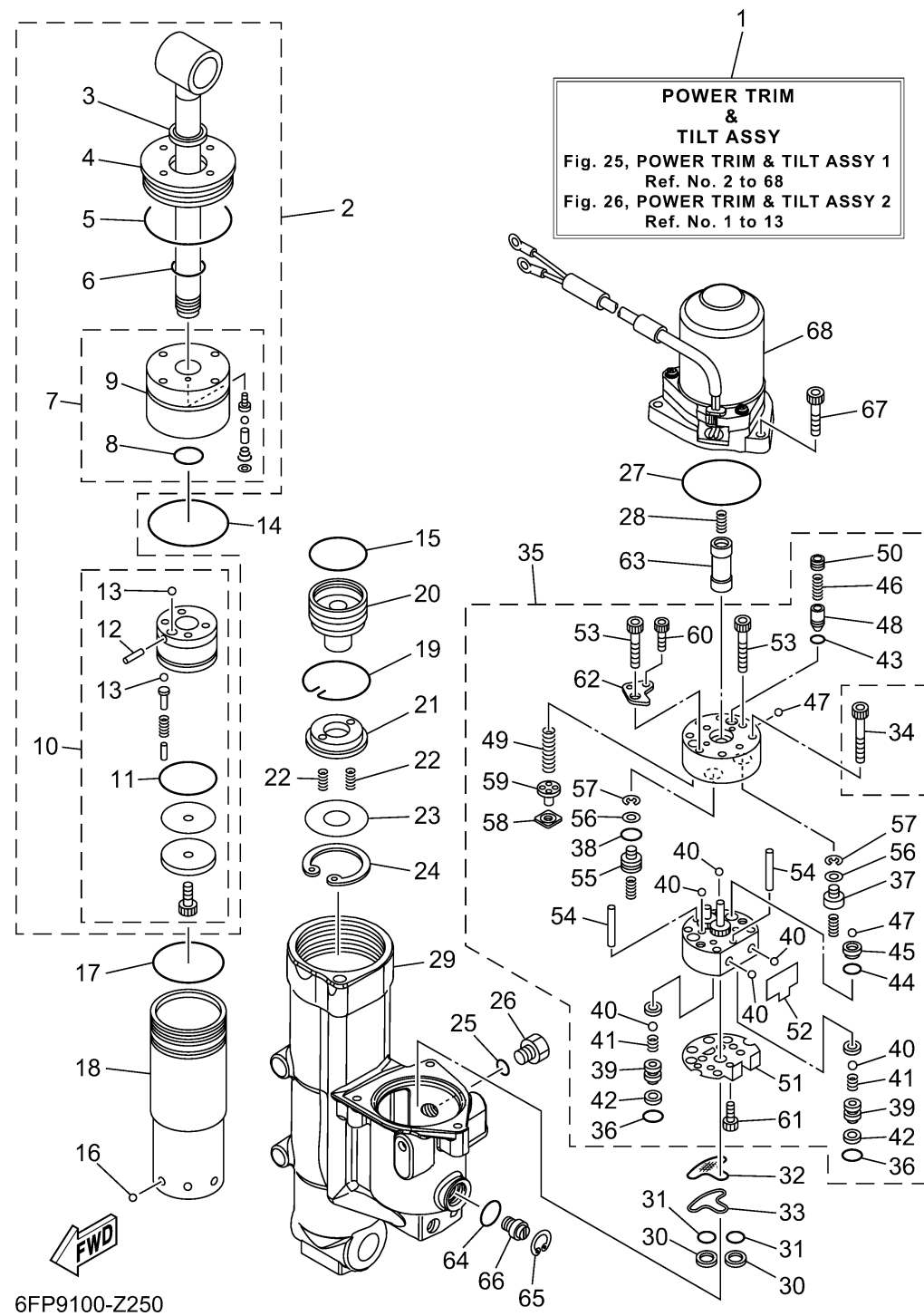
POWER TRIM TILT ASSY 1



| Ref No. | Part Number | Description | Qty | Remarks |
|---------|-----------------|----------------------------|-----|----------|
| 1 | 6FP-43800-02-00 | POWER TRIM & TILT ASSY | 1 | L(20.3") |
| 1 | 6EK-43800-04-00 | POWER TRIM & TILT ASSY | 0 | X(25.3") |
| 2 | 6EK-43810-00-00 | TILT PISTON SUB ASSY | 1 | |
| 3 | 6H1-43812-00-00 | ..SEAL, DUST | 1 | |
| 4 | 6EK-43821-00-00 | ..SCREW, TRIM CYLINDER END | 1 | |
| 5 | 6EK-43861-00-00 | ..O-RING | 1 | |
| 6 | 6D8-43861-00-00 | ...O-RING | 1 | |
| 7 | 6EK-4380R-00-00 | ..CYLINDER END SUB ASSY | 1 | |
| 8 | 6D8-43861-00-00 | ...O-RING | 1 | |
| 9 | 6EK-43811-00-00 | ...SCREW, CYLINDER END | 1 | |
| 10 | 6EK-4380P-00-00 | ..PISTON SUB ASSY | 1 | |
| 11 | 6H1-43862-00-00 | .. O-RING | 1 | |
| 12 | 91609-16012-00 | ...PIN, SPRING | 1 | |
| 13 | 93505-32038-00 | ...BALL | 5 | |
| 14 | 67F-43865-00-00 | ..O-RING | 1 | |
| 15 | 6H1-43862-00-00 | O-RING | 1 | |
| 16 | 93503-16003-00 | BALL | 6 | |
| 17 | 7BB-G3861-00-00 | O-RING | 1 | |
| 18 | 6EK-22471-01-00 | CYLINDER, SHOCK ABSORBER | 1 | |
| 19 | 6EK-43875-00-00 | RING, SNAP | 1 | |

CONTINUED ON NEXT FRAME >

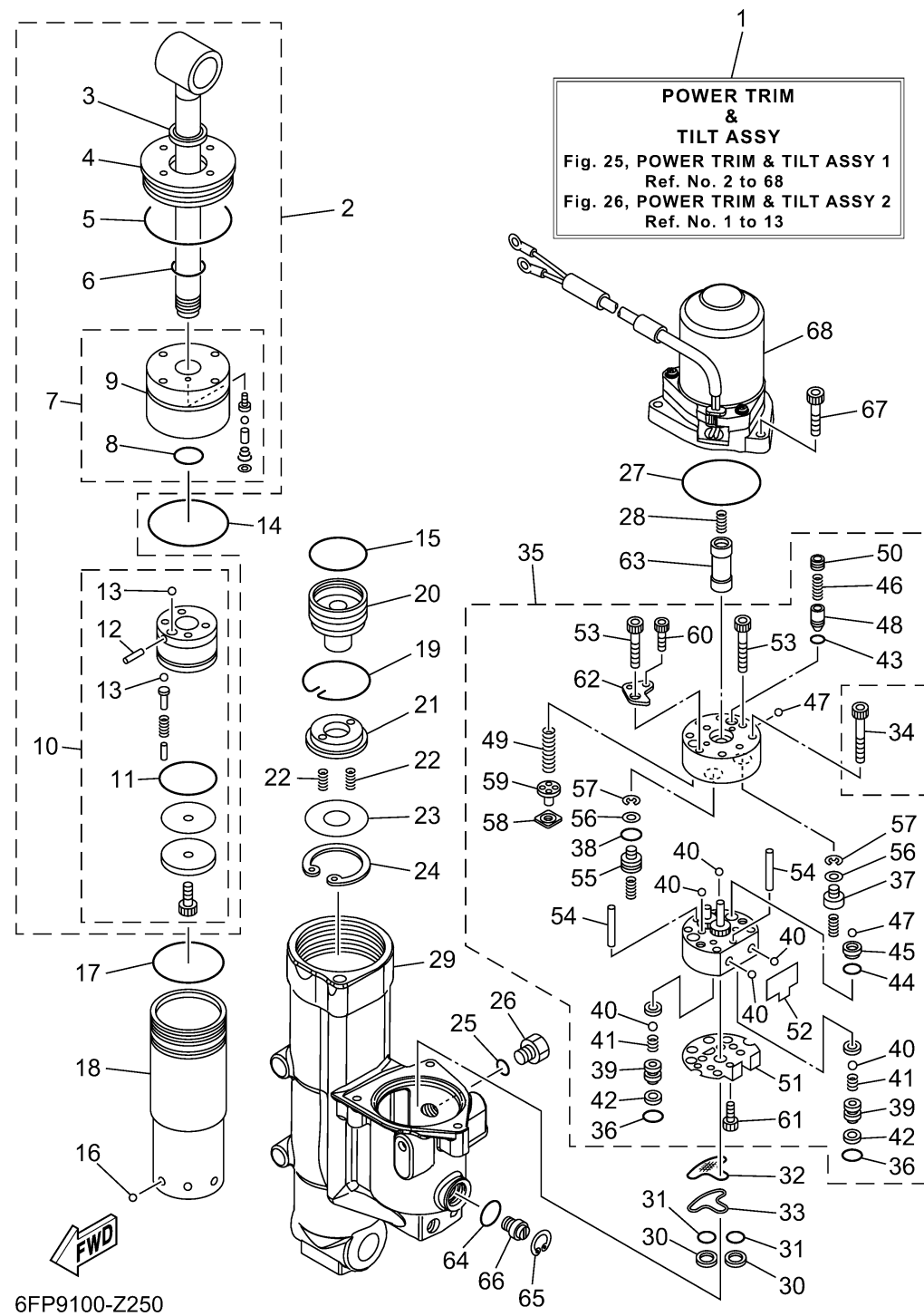
POWER TRIM TILT ASSY 1



| Ref No. | Part Number | Description | Qty | Remarks |
|---------|-----------------|-------------------------|-----|------------------|
| 20 | 6EK-4381B-00-00 | FREE PISTON SUB ASSY | 1 | |
| 21 | 6EK-43899-00-00 | PLATE STOPPER | 1 | |
| 22 | 62X-4384H-00-00 | SPRING | 2 | |
| 23 | 6EK-22434-00-00 | PLATE, VALVE 1 | 1 | |
| 24 | 99009-47500-00 | CIRCLIP | 1 | |
| 25 | 93210-09165-00 | O-RING | 1 | |
| 26 | 6EK-43829-00-00 | PLUG, RESERVOIR | 1 | |
| 27 | 93210-68N50-00 | O-RING | 1 | |
| 28 | 62X-4384H-00-00 | SPRING | 1 | |
| 29 | 6EK-4380K-04-00 | CYLINDER, TILT SUB ASSY | 0 | FOR 6EK-43800-04 |
| 29 | 6FP-4380K-02-00 | CYLINDER, TILT SUB ASSY | 1 | FOR 6FP-43800-02 |
| 30 | 6C6-43817-00-00 | FILTER 2 | 2 | |
| 31 | 69J-4389J-00-00 | .O-RING | 2 | |
| 32 | 6C5-43816-00-00 | FILTER 1 | 1 | |
| 33 | 6C5-4380G-00-00 | PLATE | 1 | |
| 34 | 91318-05045-00 | BOLT | 4 | |
| 35 | 6FP-43830-00-00 | GEAR PUMP ASSY | 1 | FOR 6FP-43800-02 |
| 35 | 6EK-43830-00-00 | GEAR PUMP ASSY | 0 | FOR 6EK-43800-04 |
| 36 | 69J-4389J-00-00 | . .O-RING | 2 | |
| 37 | 6D8-4384M-00-00 | . .PISTON, SHUTTLE 2 | 1 | |

CONTINUED ON NEXT FRAME >

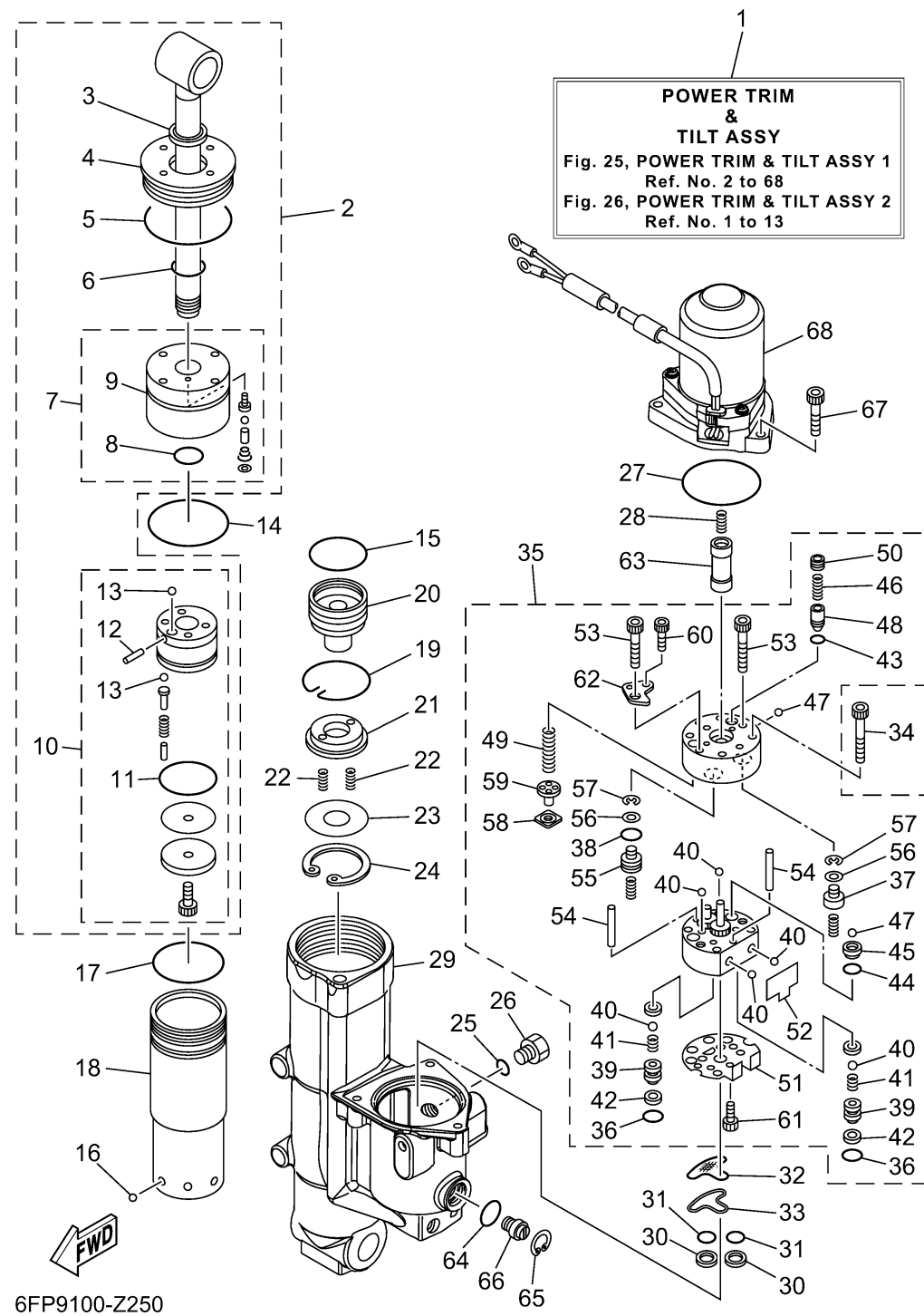
POWER TRIM TILT ASSY 1



| Ref No. | Part Number | Description | Qty | Remarks |
|---------|-----------------|--------------------------|-----|---------|
| 38 | 6H1-43883-00-00 | ..O-RING | 1 | |
| 39 | 6EK-4382E-00-00 | ..ADAPTOR 2 | 2 | |
| 40 | 93505-32038-00 | ..BALL | 6 | |
| 41 | 6C6-43853-00-00 | ..SPRING, MAIN VALVE | 2 | |
| 42 | 6C6-4387G-00-00 | ..WASHER | 2 | |
| 43 | 93210-04N51-00 | ..O-RING | 1 | |
| 44 | 93210-064A5-00 | ..O-RING | 1 | |
| 45 | 6D8-43851-00-00 | ..SEAT, RELIEF VALVE | 1 | |
| 46 | 6C5-43855-10-00 | ..SPRING, UP RELIEF | 1 | |
| 47 | 93501-08001-00 | ..BALL | 2 | |
| 48 | 6D8-43844-00-00 | ..PIN, VALVE SUPPORT | 1 | |
| 49 | 6EK-43856-00-00 | ..SPRING, DOWN RELIEF | 1 | |
| 50 | 6D8-43843-00-00 | ..SCREW, VALVE LOCK | 1 | |
| 51 | 6C5-43895-00-00 | ..SEAT, RELIEF VALVE | 1 | |
| 52 | 6C5-43854-00-00 | ..SPRING, MANUAL RELEASE | 1 | |
| 53 | 91318-05030-00 | ..BOLT | 2 | |
| 54 | 93604-26256-00 | ..PIN, DOWEL | 2 | |
| 55 | 6D8-43841-00-00 | ..PISTON, SHUTTLE | 1 | |
| 56 | 69A-4384F-00-00 | ..SEAL, MAIN VALVE | 2 | |
| 57 | 99002-03600-00 | ..CIRCLIP | 2 | |

CONTINUED ON NEXT FRAME >

POWER TRIM TILT ASSY 1



| Ref No. | Part Number | Description | Qty | Remarks |
|---------|-----------------|-----------------------|-----|-----------------|
| 58 | 6H1-4384G-11-00 | . .SEAL, RELIEF VALVE | 1 | |
| 59 | 6H1-43844-10-00 | . .PIN, VALVE SUPPORT | 1 | |
| 60 | 91318-03025-00 | . .BOLT | 2 | |
| 61 | 91318-03005-00 | . .BOLT | 1 | |
| 62 | 6D8-4382L-00-00 | . .CAP, RELIEF VALVE | 1 | |
| 63 | 6EK-43831-00-00 | CONNECTOR, SHAFT | 1 | |
| 64 | 6D8-43863-00-00 | O-RING | 1 | |
| 65 | 6H1-43875-00-00 | RING, SNAP | 1 | |
| 66 | 6EK-43845-00-00 | SCREW, MANUAL RELEASE | 1 | |
| 67 | 91380-06025-00 | BOLT | 3 | |
| 68 | 6EK-43880-14-00 | MOTOR ASSY | 1 | REFER TO FIG.26 |