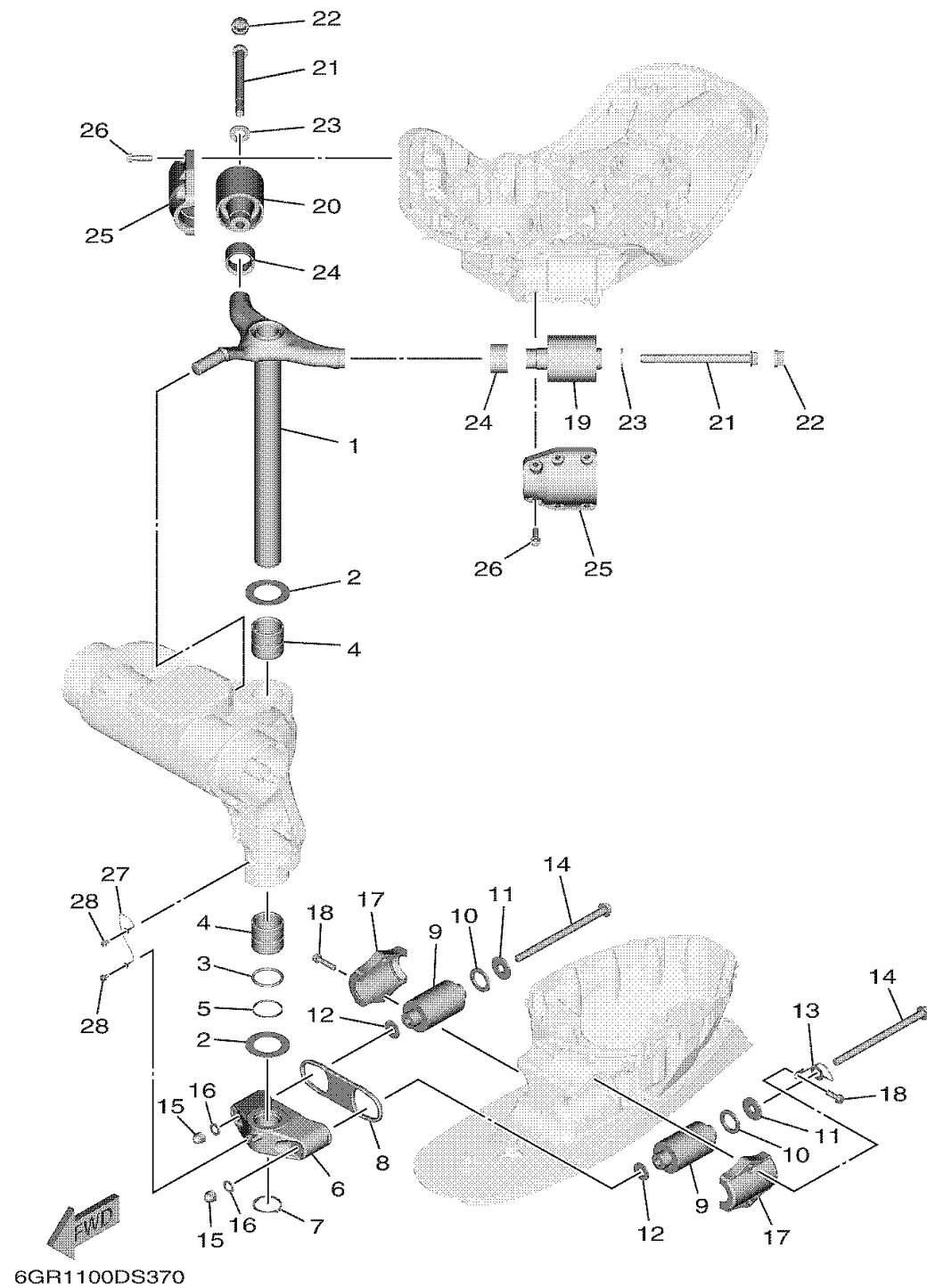


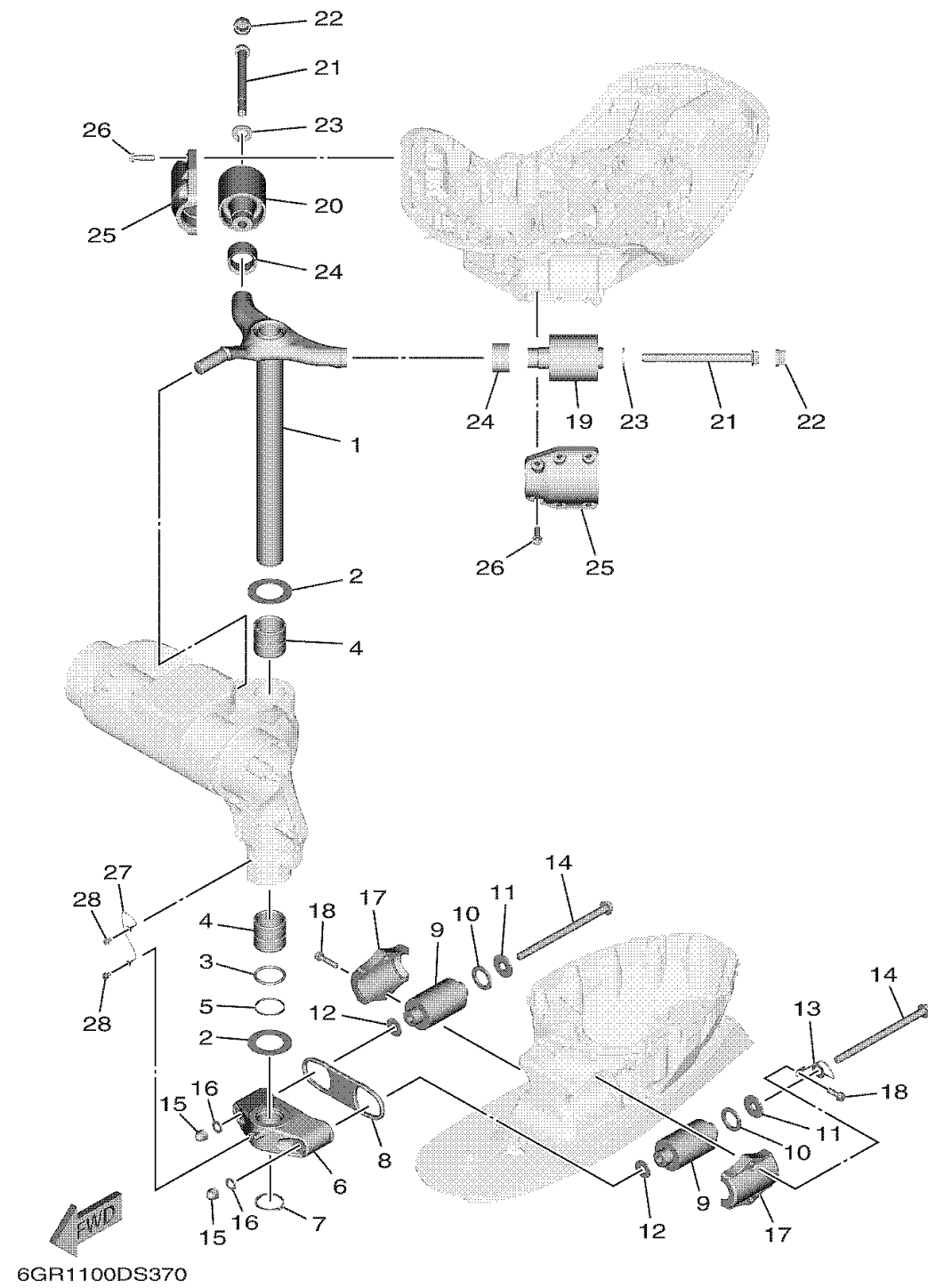
BRACKET 3



| Ref No. | Part Number | Description | Qty | Remarks |
|---------|-----------------|-------------------------------|-----|---------|
| 1 | 6GR-42510-01-8D | STEERING BRACKET ASSY | 1 | |
| 2 | 90201-51014-00 | WASHER, PLATE | 2 | |
| 3 | 93210-49003-00 | O-RING | 1 | |
| 4 | 90386-49001-00 | BUSH | 2 | |
| 5 | 90202-51001-00 | WASHER, PLATE | 1 | |
| 6 | 6GR-44551-00-CA | HOUSING, LOWER MOUNT RUBBER 1 | 1 | |
| 7 | 93410-46099-00 | CIRCLIP | 1 | |
| 8 | 6GR-44575-01-00 | DAMPER, LOWER MOUNT RUBBER | 1 | |
| 9 | 6AW-44555-00-00 | MOUNT DAMPER, LOWER SIDE | 2 | |
| 10 | 90202-32M19-00 | WASHER, PLATE | 2 | |
| 11 | 90201-16M55-00 | WASHER, PLATE | 2 | |
| 12 | 90201-15M58-00 | WASHER, PLATE | 2 | |
| 13 | 6GR-82149-00-00 | WIRE, LEAD 3 | 1 | |
| 14 | 90105-14012-00 | BOLT, FLANGE | 2 | |
| 15 | 95380-14800-00 | NUT | 2 | |
| 16 | 92995-14600-00 | WASHER | 2 | |
| 17 | 6AW-44552-00-CA | HOUSING, LOWER MOUNT RUBBER 2 | 2 | |
| 18 | 90119-10024-00 | BOLT, WITH WASHER | 4 | |
| 19 | 6GR-44514-00-00 | MOUNT DAMPER, UPPER SIDE | 1 | |
| 20 | 6GR-44515-00-00 | MOUNT RUBBER, UPPER SIDE | 1 | |

CONTINUED ON NEXT FRAME >

BRACKET 3



| Ref No. | Part Number | Description | Qty | Remarks |
|---------|-----------------|-------------------------------|-----|---------|
| 21 | 90105-16004-00 | BOLT, FLANGE | 2 | |
| 22 | 6GR-44194-01-00 | CAP | 2 | |
| 23 | 90201-18030-00 | WASHER, PLATE | 2 | |
| 24 | 6GR-44533-00-00 | DAMPER, UPPER MOUNT RUBBER | 2 | |
| 25 | 6GR-44511-00-CA | COVER, UPPER MOUNT | 2 | |
| 26 | 90119-10058-00 | BOLT, WITH WASHER | 12 | |
| 27 | 6T4-82117-00-00 | WIRE, LEAD | 1 | |
| 28 | 97E95-06510-00 | BOLT, HEXAGON W/W DEEP RECESS | 2 | |